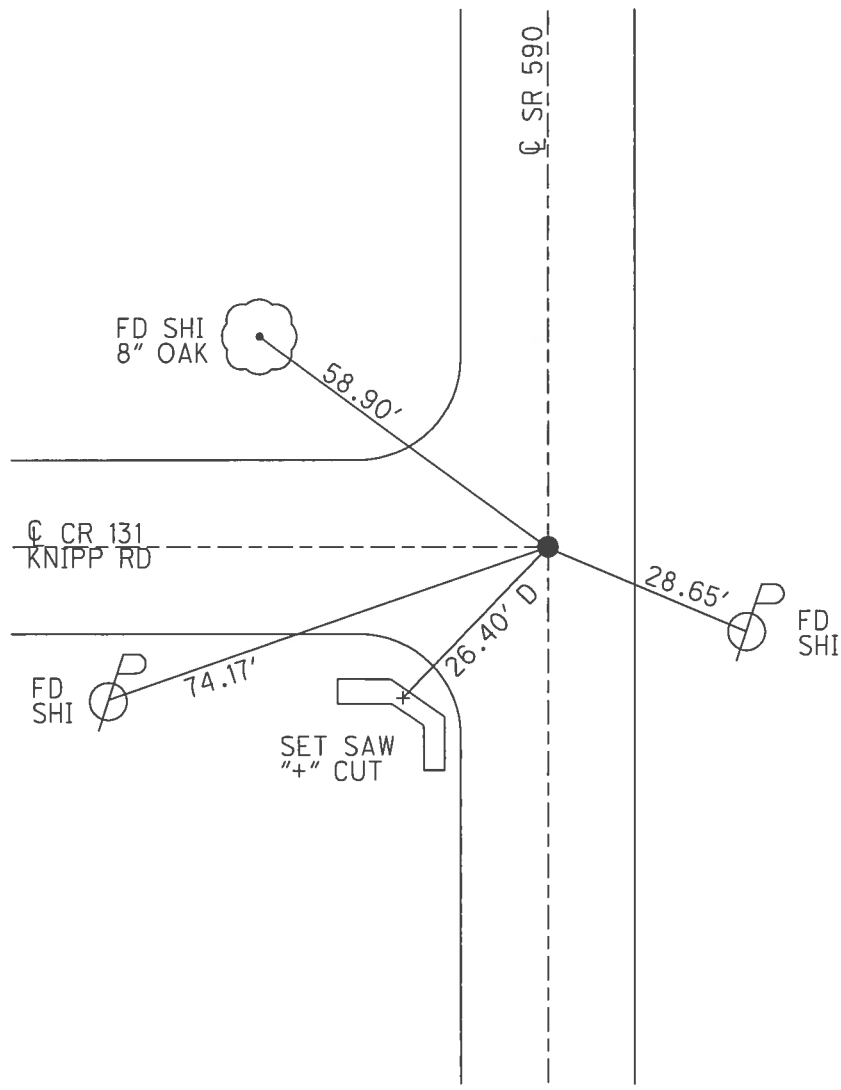
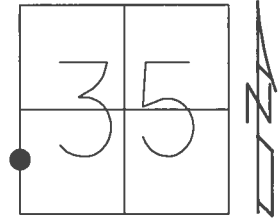


O.D.O.T. DISTRICT 2 SURVEY OFFICE (USE ONLY)

PERSONNEL _____ REFERENCE NO. 27 SHEET 12 OF 15

NOTES RHOADES DATE 7/20/17 ROUTE SR 590
 H.C. O'DONNELL WEATHER SUNNY COUNTY SANDUSKY
 R.C. POORE TEMP. 84° TOWNSHIP WASHINGTON
 SECTION 35
 T 5 N R 14 E

TYPE MONUMENT P.K./WASHER
 ON SURFACE - ~~BELOW~~ ON
 LEFT - ☑ PAV'T - RIGHT ON
9.9' TO RT EDGE PAVEMENT
 S.L.M. 680+48.18
 GRID: NORTHING: 644290.962 EASTING: 1770864.685



RECORD: P.O.T.
 STA. 38+40 ±
 1927 PLANS
 SET P.K./WASHER
 9/4/01, BVD
 FD P.K./WASHER
 REF27
 3/28/16, JFO
 UNCOVERED
 11/8/17, JFO

O.D.O.T. DISTRICT 2 SURVEY OFFICE

PERSONNEL

REFERENCE NO. 27

SHEET 11 OF 14

NOTES VANDUSEN

H.C. Roush

R.C. Brown

DATE 9-4-01

WEATHER SUNNY

TEMP. +70° F

ROUTE SR 590

COUNTY SUNNY

TOWNSHIP WASHINGTON

SECTION 34, 35

TS N R 14 E

TYPE MONUMENT P.K. WASHER
 ON SURFACE - BELOW SURFACE
 LEFT - ☉ PAV'T. - RIGHT ☉
9.9 TO RT EDGE PAVEMENT
 S.L.M. 680+67

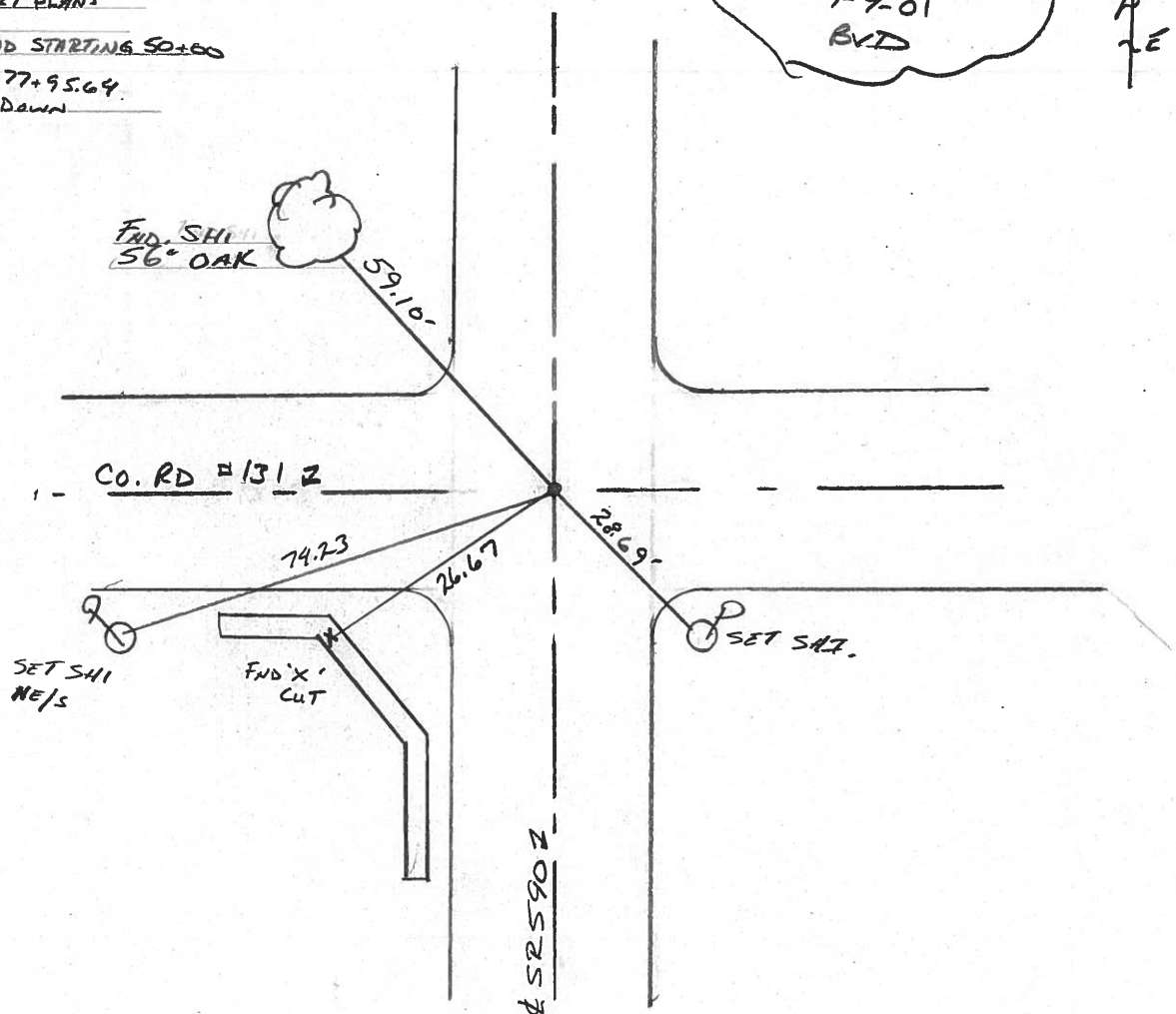
34	35
3	2



POT
 PK WASHER AT OP PK
 38+40.2 1927 PLANS

*2 ☉s AHEAD STARTING 50+00
 ENDING @ 77+95.64
 PK FWD 4" DOWN

RESET PK WASHER
 9-4-01
 BVD



O.D.O.T. DISTRICT 2 SURVEY OFFICE

(3)

PERSONNEL _____

REFERENCE NO. 27

SHEET _____ OF _____

NOTES CROWIN

DRAWN 11-29-89

H.C. RIPPLE

DATE 11-27-89

ROUTE 590

R.G. BARROUR (NOTES)

WEATHER SUNNY

COUNTY SAND.

GEYMAN

TEMP. 42°

TOWNSHIP WASHINGTON

SECTION 34-35

T5 N R 14 E

TYPE MONUMENT PK & WASHER

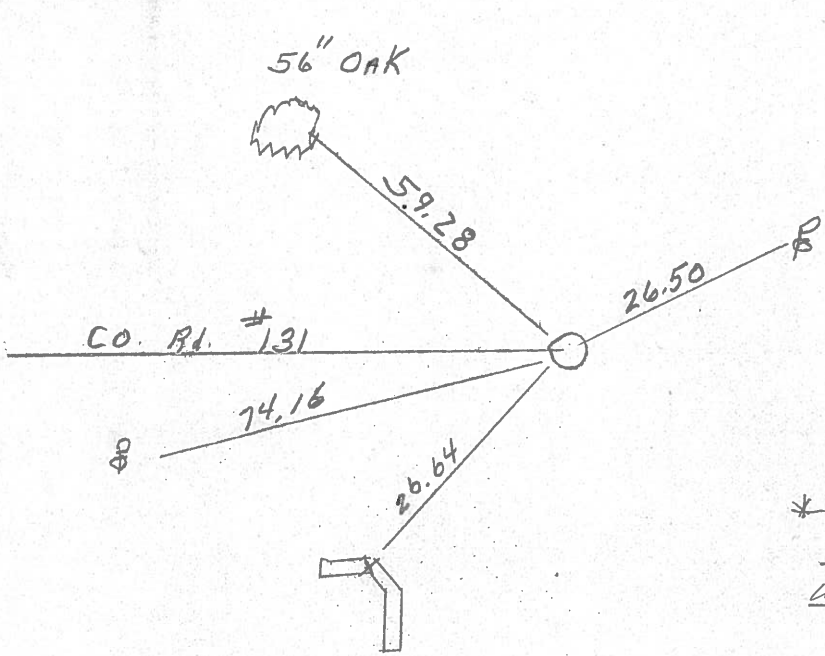
ON SURFACE - BELOW SURFACE

LEFT- & PAV'T. - RIGHT ♀

TO _____ EDGE PAVEMENT

S.L.M. _____

34	35
3	2



POT
P.R. WASHER ATOP
P.K.
38+40± (1927 PLANS)

* 2 ♀s AHEAD STARTING @ 50+00
 & ENDING @ 77+95.64
WHICH IF ANY IS SECTION LINE?

PERSONNEL	TITLE	PERSONNEL	TITLE
_____	_____	_____	_____
_____	_____	_____	_____
_____	_____	_____	_____

COUNTY Sandusky DATE 7-28-71
 S. R. 590 WEATHER cloudy
 SEC. 34 E 35 TEMP. 75°

DESCRIPTION U.S. # 20 to Ottawa, Co. Line JOB NO. _____

