

O.D.O.T. DISTRICT 2 SURVEY OFFICE

PERSONNEL	REFERENCE NO. <u>3-A</u>	SHEET <u>3</u> OF <u>48</u>
NOTES <u>MOSER</u>	DATE <u>5/19/10</u>	ROUTE <u>SR 600</u>
H.C. <u>GOLDBERG</u>	WEATHER <u>SUNNY</u>	COUNTY <u>SANDUSKY</u>
R.C. <u>HARBAUGH</u>	TEMP. <u>75°</u>	TOWNSHIP <u>MADISON</u>
		SECTION <u>18, 19</u>
		T <u>5</u> N R <u>13</u> E

TYPE MONUMENT P.K. NAIL, ORIGIN UNKNOWN

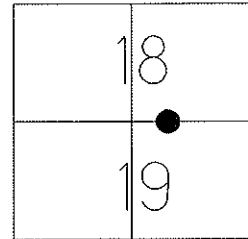
ON SURFACE - ~~BELOW~~ ON

~~LEFT~~ - C PAV'T - RIGHT 0.5'

9.4' TO RT EDGE PAVEMENT

S.L.M. 38+85

Grid: Northing: 627243.303 Easting: 1720926.911



RESET P.K./WASHER  
5/21/93 M.B.

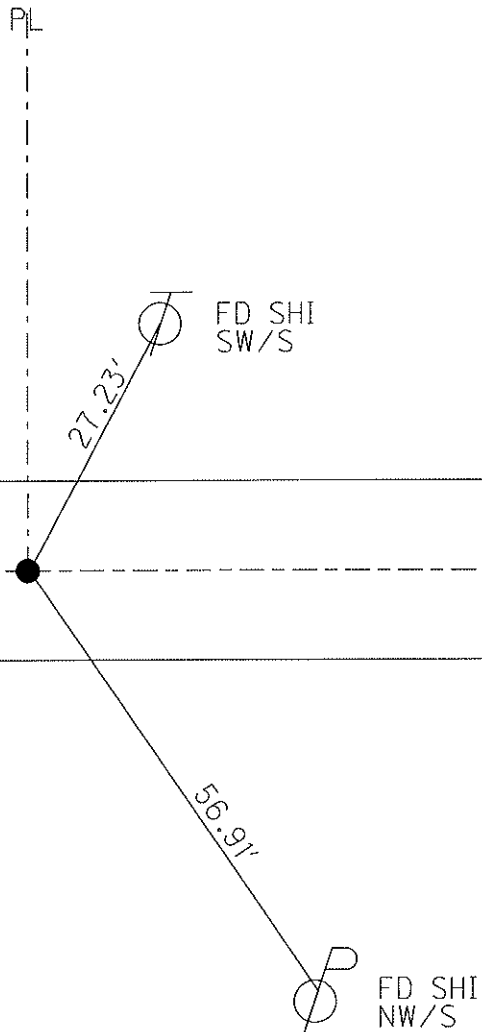
FD P.K./WASHER  
7/30/02, 11/29/02, 9/9/08

GPS SV102, 5/14/10  
NOTE: HAD TO RESET WITH  
2 RECORD TIES. NEW PIPE  
INSTALLED. ALL ORIGINAL  
POINTS WERE DONE.  
TIED 5/19/10, KPM

RESET MAG/WASHER  
9/24/10, KPM

GPS FIN102  
10/7/10, KPM

C PAV'T SR 600



O.D.O.T. DISTRICT 2 SURVEY OFFICE

PERSONNEL \_\_\_\_\_

REFERENCE NO. 3-A

SHEET 3 OF 11

NOTES BARNHISEL

H.C. VAN DUSEN

R.C. \_\_\_\_\_

DATE 4-23-93

WEATHER SUNNY

TEMP. +60°

ROUTE 600

COUNTY SANDUSKY

TOWNSHIP MADISON

SECTION 18 + 19

T.5 N. R.13 E

TYPE MONUMENT P.K. NAIL

ORIGIN UNKNOWN

ON SURFACE - ~~BELOW~~ YES

~~SET~~ - Q PAV'T. - RIGHT 0.5

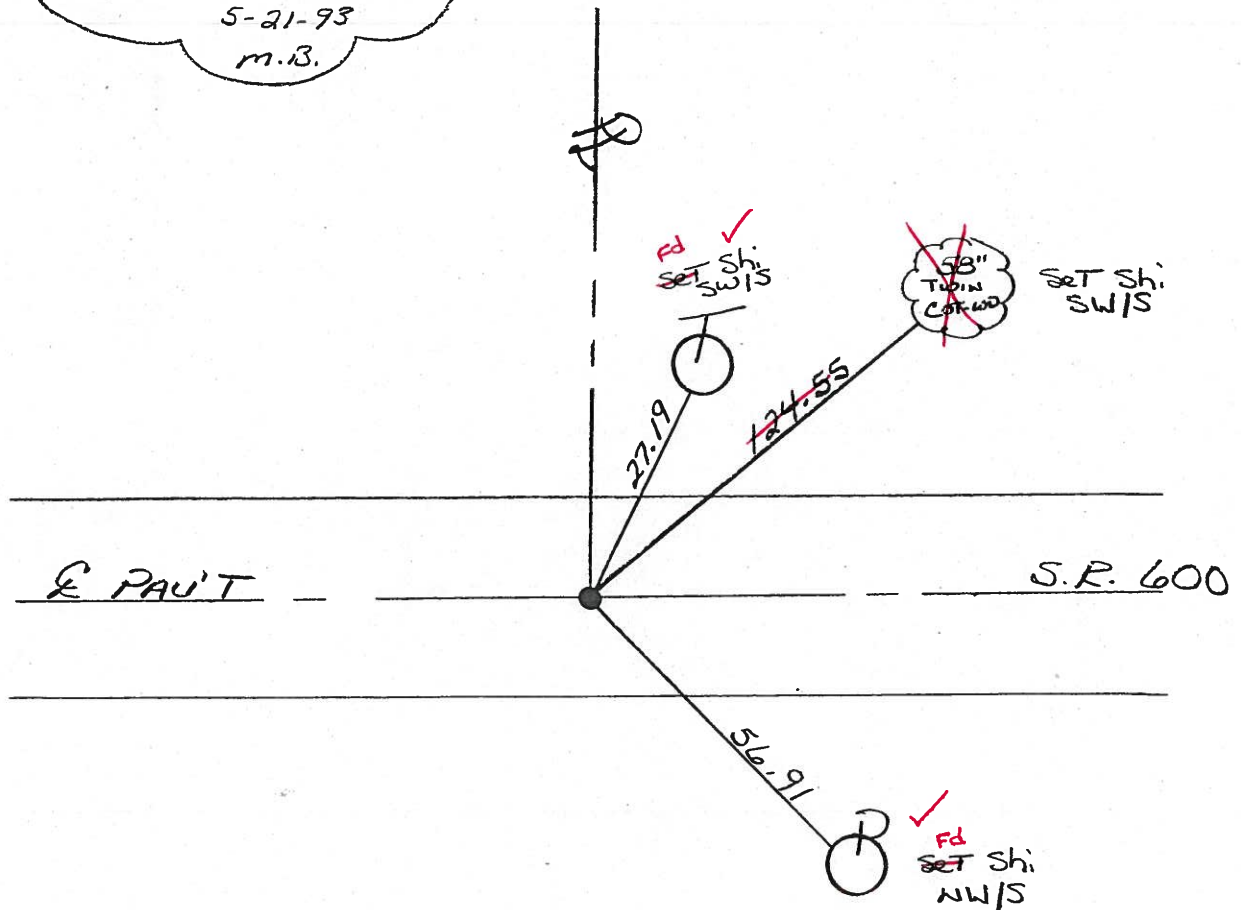
9.0 TO RT EDGE PAVEMENT

S.L.M. 38+85

1	8
1	9



Reset P.K. + WASHER  
5-21-93  
M.B.



LOCATED 7-30-02  
Fd. PK/WASHER

Preventive Maintenance  
Chip & Seal 2002  
Existing Point Uncovered  
Date 11-29-02

O.D.O.T. DISTRICT 2 SURVEY OFFICE

PERSONNEL \_\_\_\_\_

REFERENCE NO. 3-A

SHEET \_\_\_\_\_ OF \_\_\_\_\_

NOTES BARNHISEL

H.C. VAN DUSEN

R.C. \_\_\_\_\_

DATE 4-23-93

WEATHER SUNNY

TEMP. +60°

ROUTE 600

COUNTY SANDUSKY

TOWNSHIP MADISON

SECTION 18 + 19

T. 5 N R. 13 E

TYPE MONUMENT P.K. NAIL

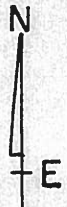
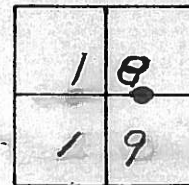
ORIGIN UNKNOWN

ON SURFACE - ~~BELOW~~ YES

~~SET~~ - PAV'T. - RIGHT 0.5

9.0 TO RT EDGE PAVEMENT

S.L.M. 38+85



Reset P.K. + WASHER  
5-21-93  
M.B.

