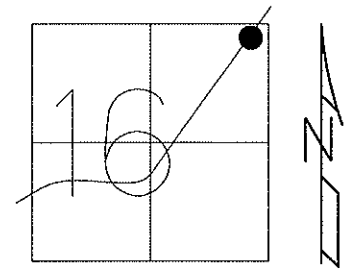


O.D.O.T. DISTRICT 2 SURVEY OFFICE

PERSONNEL	REFERENCE NO. <u>41</u>	SHEET <u>44</u> OF <u>48</u>
NOTES <u>HARBAUGH</u>	DATE <u>5/25/10</u>	ROUTE <u>SR 600</u>
H.C. <u>GOLDBERG</u>	WEATHER <u>SUNNY</u>	COUNTY <u>SANDUSKY</u>
R.C. <u>MOSER</u>	TEMP. <u>60°</u>	TOWNSHIP <u>WASHINGTON</u>
		SECTION <u>16</u>
		T <u>5</u> N R <u>14</u> E

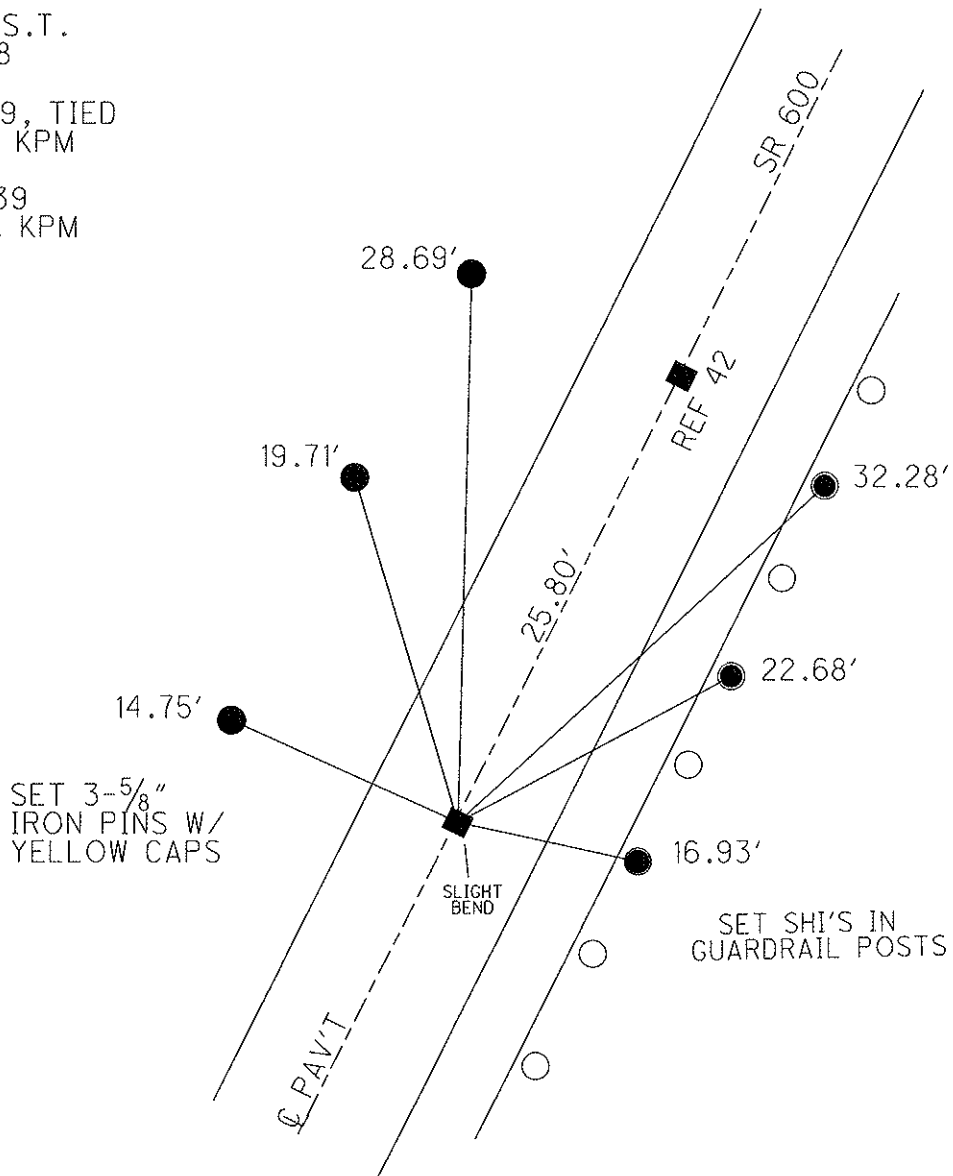
TYPE MONUMENT MON. BOX
 ON SURFACE - ~~BELOW~~ ON
 LEFT - C PAV'T - ~~RIGHT~~ 0.5'
11.3' TO RT EDGE PAVEMENT
 S.L.M. 498+31
 Grid: Northing: 631761.796 Easting: 1764421.703



RECORD: S.T.
512+47.98

GPS SV139, TIED
5/25/10, KPM

GPS FIN139
10/14/10, KPM



O.D.O.T. DISTRICT 2 SURVEY OFFICE

PERSONNEL

REFERENCE NO. 41 & 42

SHEET OF

NOTES BARNHISEL

H.C. VAN DUSEN

R.C. CORDES

DATE 4-21-93

WEATHER SUNNY

TEMP. +45°

ROUTE 600

COUNTY SANDUSKY

TOWNSHIP WASHINGTON

SECTION 16

T. 5 N R. 14 E

TYPE MONUMENT Mon. Box Mon. Box

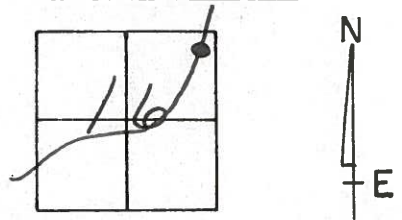
ON SURFACE - ~~BELOW~~ yes yes

LEFT - ℄ PAV'T. - ~~RIGHT~~ 0.5 0.5

11.3 TO RT EDGE PAVEMENT SAME

S.L.M. #41 = 498+31 #42 = 498+57

DIDN'T
OPEN



RECORD: #41

S.T.

512+47.98

RECORD #42

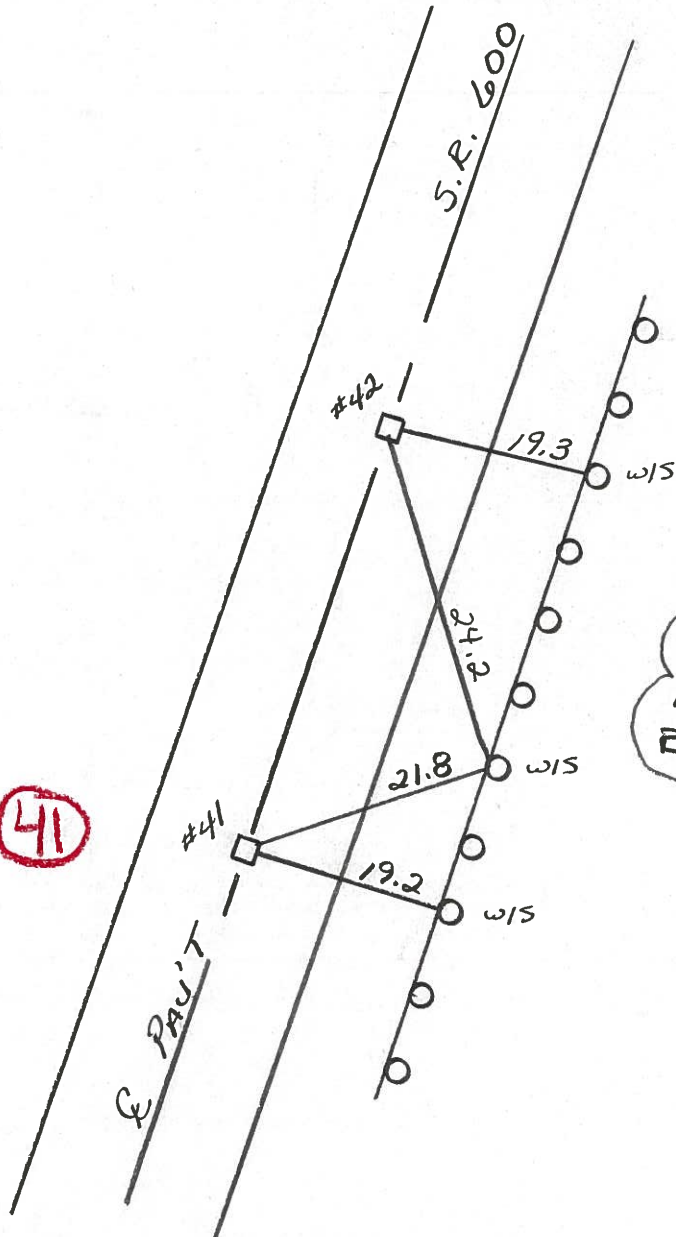
P.I.

512+73.85 BK =

512+71.84 AH

$\Delta = 5^{\circ} - 35' - 27''$

41



SET SHI'S
IN GUARD
RAIL POST

PERSONNEL TITLE PERSONNEL TITLE
 Schneider _____ Potts _____
 Mosser _____
 Barbour _____
 Reading _____

COUNTY Sandusky DATE 5-2-68
 S. R. 600 WEATHER Fair
 SEC. Gibsonburg to U.S. #20 TEMP. 50°

DESCRIPTION Ties for Control Points LEFT CENTER LINE RIGHT JOB NO.

