

O.D.O.T. DISTRICT 2 SURVEY OFFICE (USE ONLY)

PERSONNEL

REFERENCE NO. 7

SHEET 10 OF 56

NOTES RHOADES  
 H.C. AUBLE  
 R.C. ASTON  
NIESE

DATE 10/31/23  
 WEATHER SUNNY  
 TEMP. 29°

ROUTE SR 4  
 COUNTY SENECA  
 TOWNSHIP VENICE  
 SECTION 16

DWG BY RHOADES PID 101241

T 1 N R 17 E

TYPE MONUMENT MAG/WASHER

ON SURFACE - ~~BELOW~~ ON

OFFSET 0.6' RT : RT

9.9' TO RT EDGE PAVEMENT

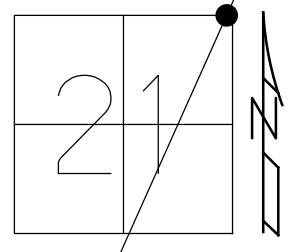
STATION: 169+85.64

HORZ.DATUM: NAD83(2011)

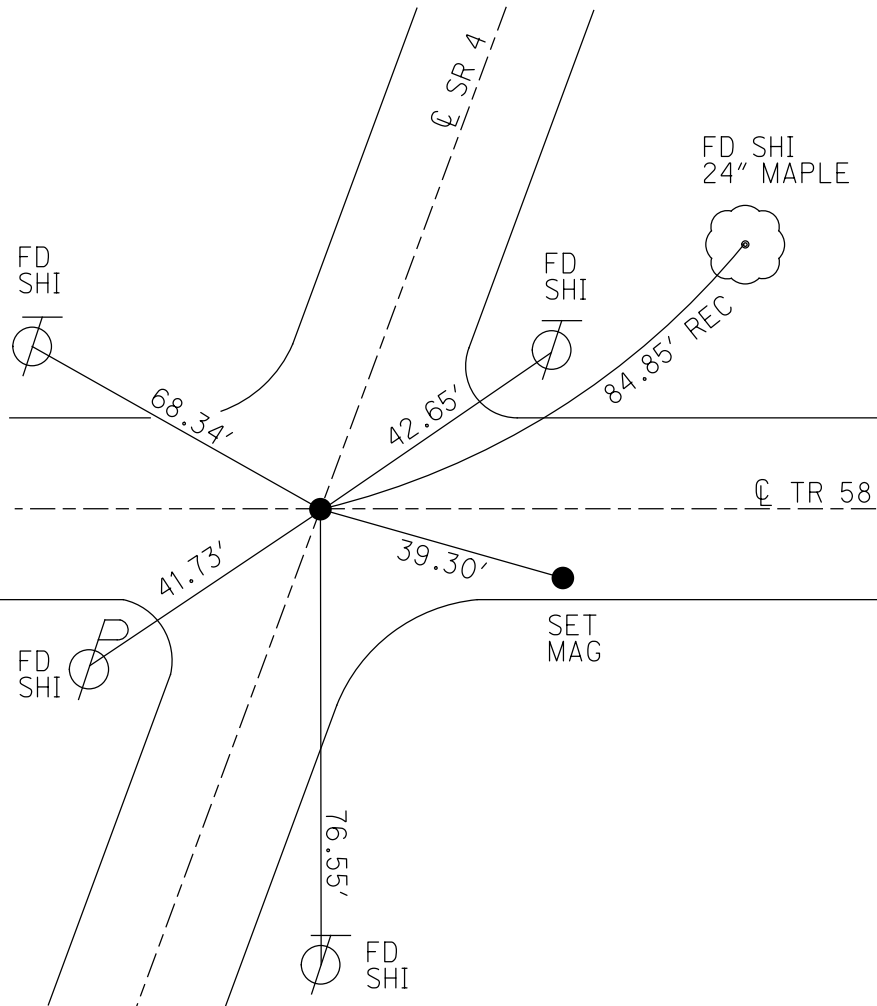
GEOID: NAVD88 2018

GRID: NORTHING: 499611.966

EASTING: 1857811.442



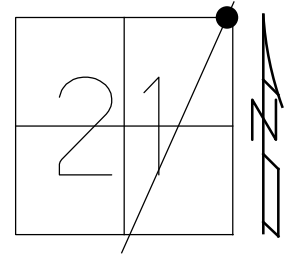
RECORD: P.I.  
 STA. 169+88.68  
 SET P.K./WASHER  
 ATOP P.K.NAIL  
 12/13/74  
 SET P.K./WASHER  
 10/6/93, RCC  
 FD P.K./WASHER  
 SV108  
 9/15/09, KPM  
 SET P.K./WASHER  
 FIN108  
 10/19/10, KPM  
 FD P.K./WASHER  
 REF7  
 2/15/19  
 8/19/19, JFO  
 9/14/21, DSA  
 2/8/22, JFO  
 7/14/23, JMR  
 SET MAG/WASHER  
 10/31/23, DSA



O.D.O.T. DISTRICT 2 SURVEY OFFICE (USE ONLY)

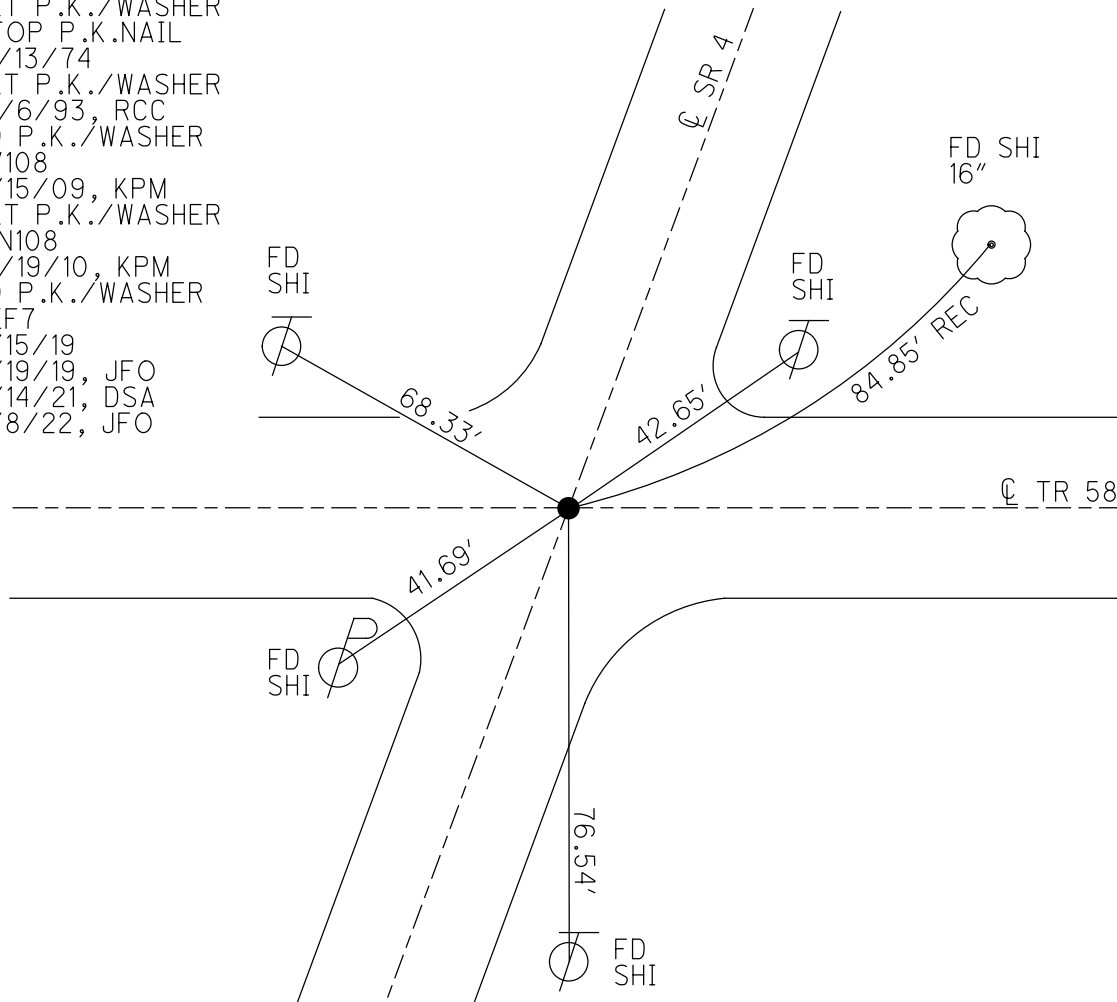
PERSONNEL \_\_\_\_\_ REFERENCE NO. 7 SHEET 10 OF 41  
 NOTES NIESE DATE 9/14/21 ROUTE SR 4  
 H.C. AUBLE WEATHER WINDY COUNTY SENECA  
 R.C. NIESE TEMP. 80° TOWNSHIP VENICE  
 DWG BY RHOADES PID PVTRAIN SECTION 16  
 T 1 N R 17 E

TYPE MONUMENT P.K./WASHER  
 ON SURFACE - ~~BELOW~~ ON  
 OFFSET Q PAVEMENT ON LT : RT  
9.9' TO RT EDGE PAVEMENT  
 STATION: 169+85.64



HORZ.DATUM: NAD83(2011) GEOID: NAVD88 2018  
 GRID: NORTHING: 499611.964 EASTING: 1857811.428

RECORD: P.I.  
 STA. 169+88.68  
 SET P.K./WASHER  
 ATOP P.K.NAIL  
 12/13/74  
 SET P.K./WASHER  
 10/6/93, RCC  
 FD P.K./WASHER  
 SV108  
 9/15/09, KPM  
 SET P.K./WASHER  
 FIN108  
 10/19/10, KPM  
 FD P.K./WASHER  
 REF7  
 2/15/19  
 8/19/19, JFO  
 9/14/21, DSA  
 2/8/22, JFO



O.D.O.T. DISTRICT 2 SURVEY OFFICE (USE ONLY)

PERSONNEL

REFERENCE NO. 7

SHEET 10 OF 41

NOTES FINTEL DATE 8/11/10

H.C. HARBAUGH WEATHER FAIR

R.C. FINTEL TEMP. 85°

ROUTE SR 4

COUNTY SENECA

TOWNSHIP VENICE

SECTION 16

DWG BY NIESE PID 107060

T 1 N R 17 E

TYPE MONUMENT P.K./WASHER

ON SURFACE - ~~BELOW~~ ON

OFFSET Q PAVEMENT ON LT : RT

9.9' TO RT EDGE PAVEMENT

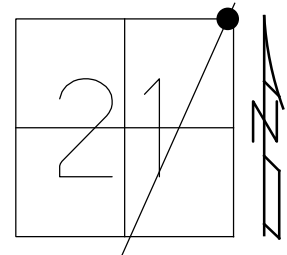
STATION: 169+85.64

HORZ.DATUM: NAD83(2011)

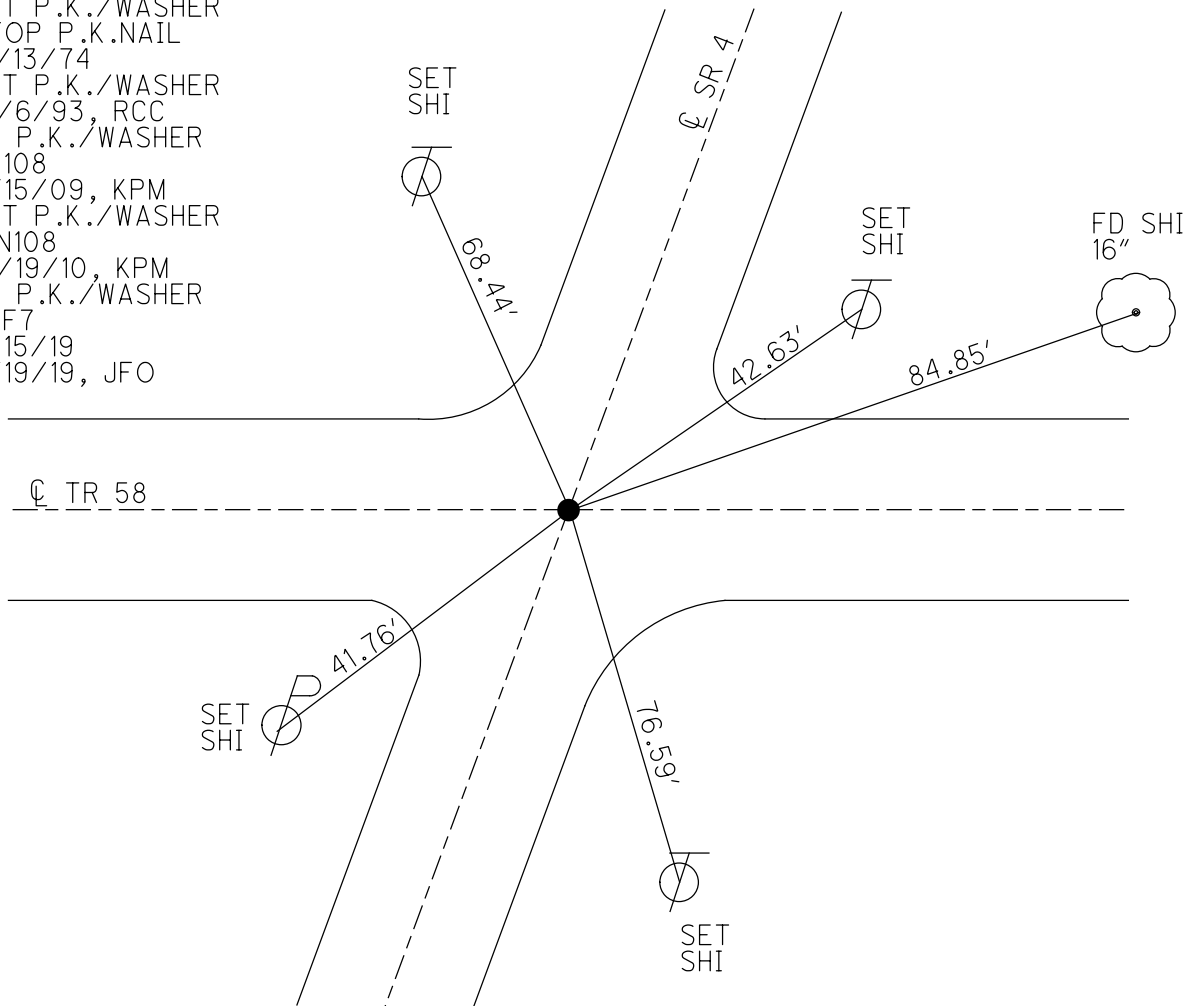
GEOID: 2012A

GRID: NORTHING: 499611.964

EASTING: 1857811.428



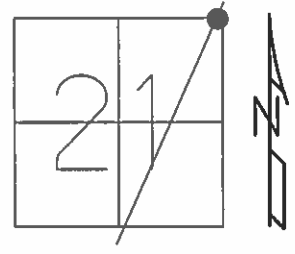
RECORD: P.I.  
 STA. 169+88.68  
 SET P.K./WASHER  
 ATOP P.K.NAIL  
 12/13/74  
 SET P.K./WASHER  
 10/6/93, RCC  
 FD P.K./WASHER  
 SV108  
 9/15/09, KPM  
 SET P.K./WASHER  
 FIN108  
 10/19/10, KPM  
 FD P.K./WASHER  
 REF7  
 2/15/19  
 8/19/19, JFO



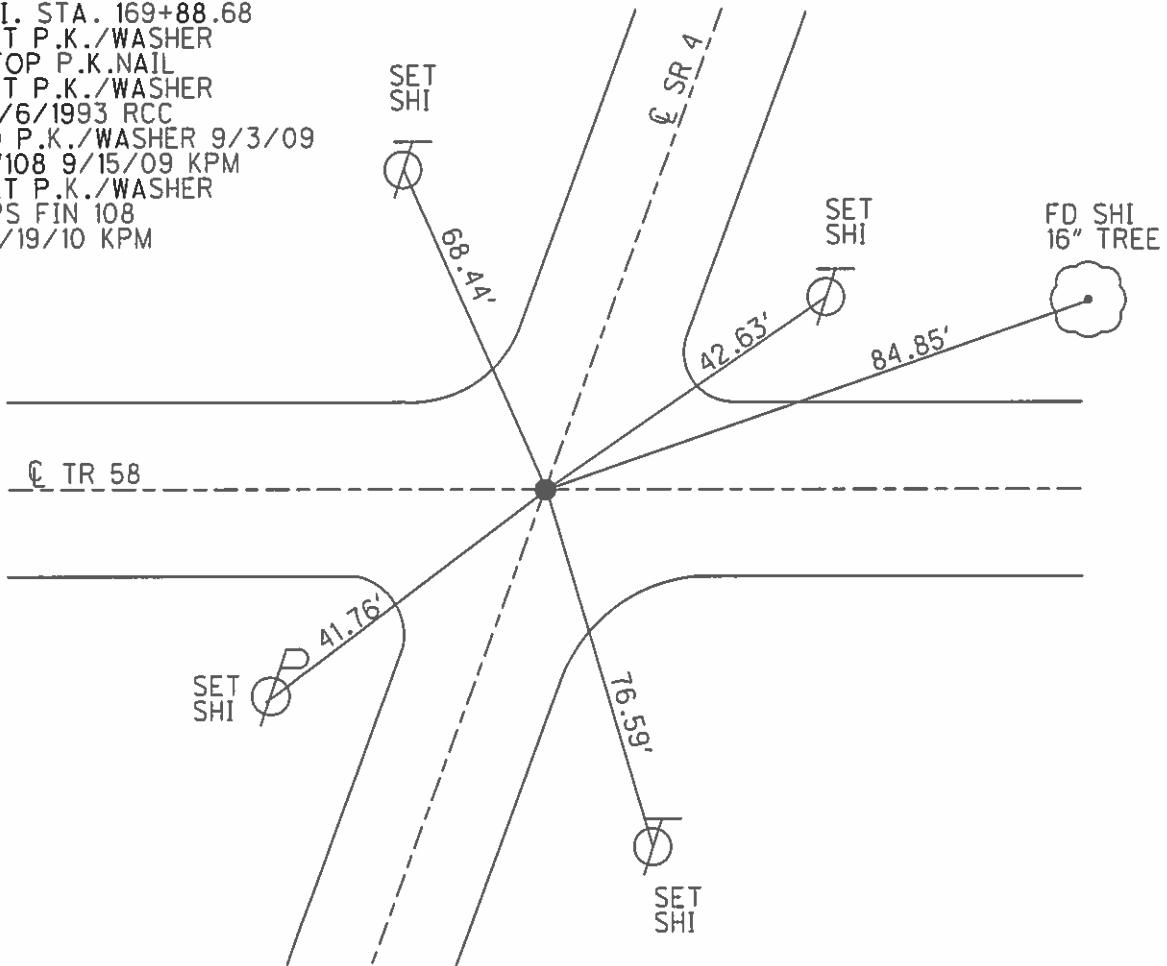
O.D.O.T. DISTRICT 2 SURVEY OFFICE (USE ONLY)

PERSONNEL \_\_\_\_\_ REFERENCE NO. 7 SHEET 10 OF 41  
 NOTES FINTEL DATE 8/11/10 ROUTE SR 4  
 H.C. HARBAUGH WEATHER FAIR COUNTY SENECA  
 R.C. FINTEL TEMP. 85° TOWNSHIP VENICE  
 \_\_\_\_\_ SECTION 16  
 \_\_\_\_\_ T 1 N R 17 E

TYPE MONUMENT P.K./WASHER  
 ON SURFACE - ~~BELOW~~ ON  
 LEFT - ☉ PAV'T - RIGHT ON  
9.9' TO RT EDGE PAVEMENT  
 S.L.M. 169+85.64  
 GRID: NORTHING: 499611.938 EASTING: 1857811.378



RECORD: 12/13/1974  
 P.I. STA. 169+88.68  
 SET P.K./WASHER  
 ATOP P.K.NAIL  
 SET P.K./WASHER  
 10/6/1993 RCC  
 FD P.K./WASHER 9/3/09  
 SV108 9/15/09 KPM  
 SET P.K./WASHER  
 GPS FIN 108  
 10/19/10 KPM



# O.D.O.T. DISTRICT 2 SURVEY OFFICE

PERSONNEL

REFERENCE NO. 7

SHEET 10 OF 50

NOTES CHIENEY

H.C. RIPPLE

R.C. BARBOUR

GEYMAN

DATE 7-26-1993

WEATHER FAIR

TEMP. 85°

ROUTE S.F. #4

COUNTY SENECA

TOWNSHIP VENICE

SECTION 16

T. N R. 17 E

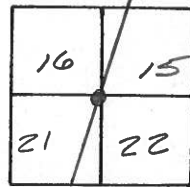
TYPE MONUMENT PK/WASHER

~~ON~~ SURFACE - BELOW 1"±

~~10'~~ - 6' PAV'T. - RIGHT 0.5'

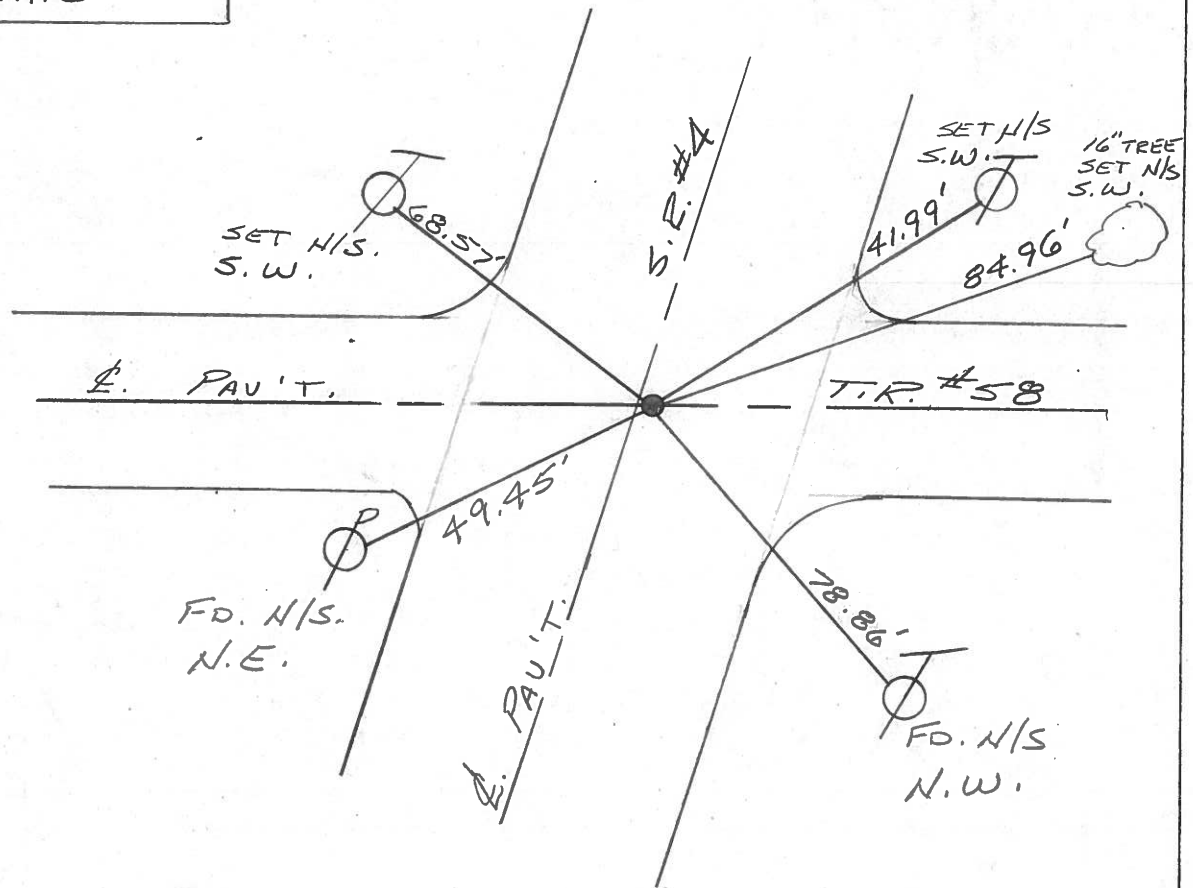
10' TO RT. EDGE PAVEMENT

S.L.M. 170+25



RECORD: 12-13-1974  
 P.O.T. STA. 169+88.68  
 SET PK/WASHER  
 ATOP P.K. NAIL

SET PK/WASHER  
 10-6-1993  
 RCC



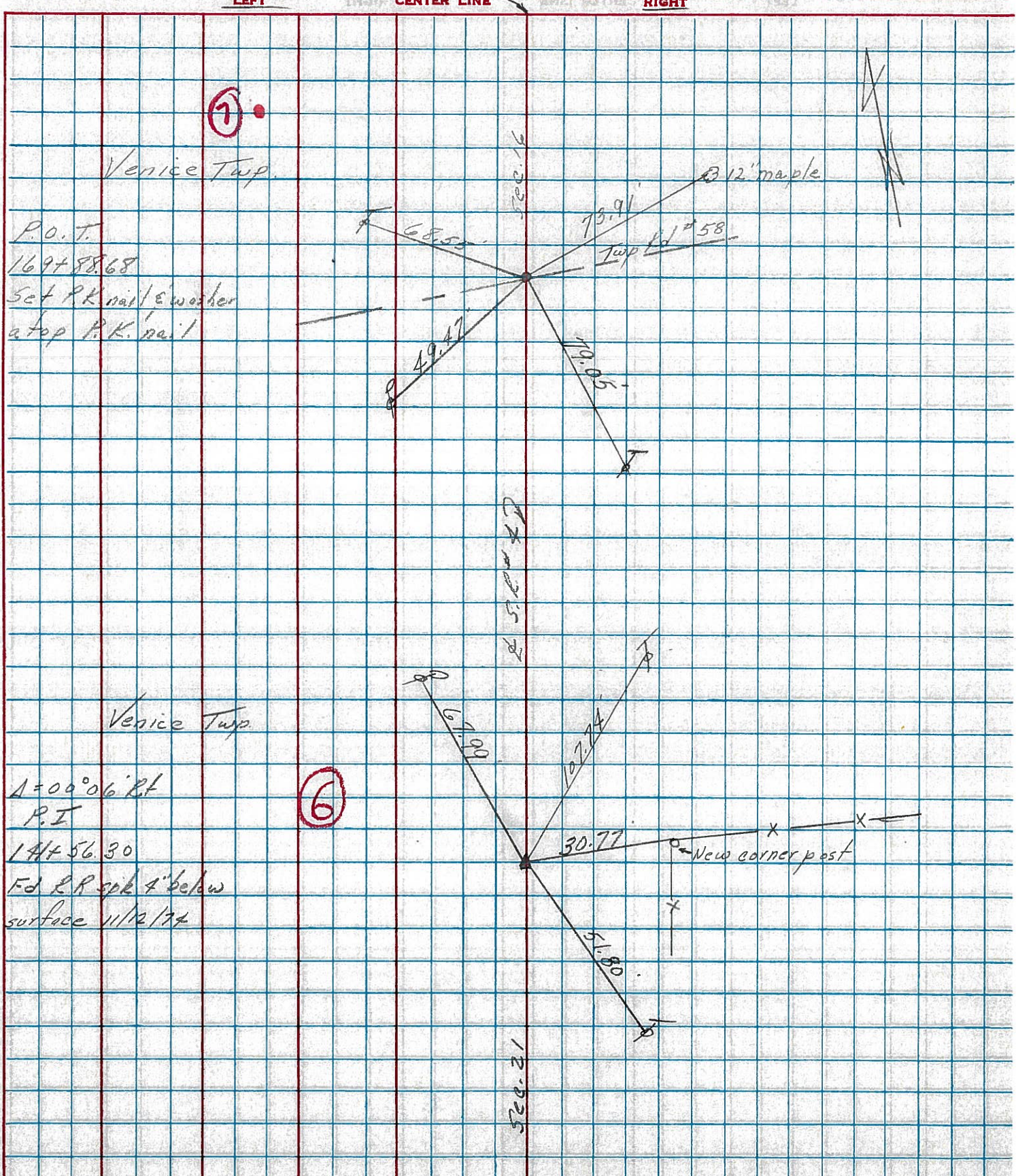


PERSONNEL	TITLE	PERSONNEL	TITLE
Cronin		Schneider	
Ash		Masser	
Ripple		Barbour	
Geyman			

COUNTY Seneca DATE 12/13/74  
 S. R. #4 WEATHER overcast-rain  
 SEC. Crawford Co. Line-North TEMP. 34°

DESCRIPTION Ties for Control Points

JOB NO.





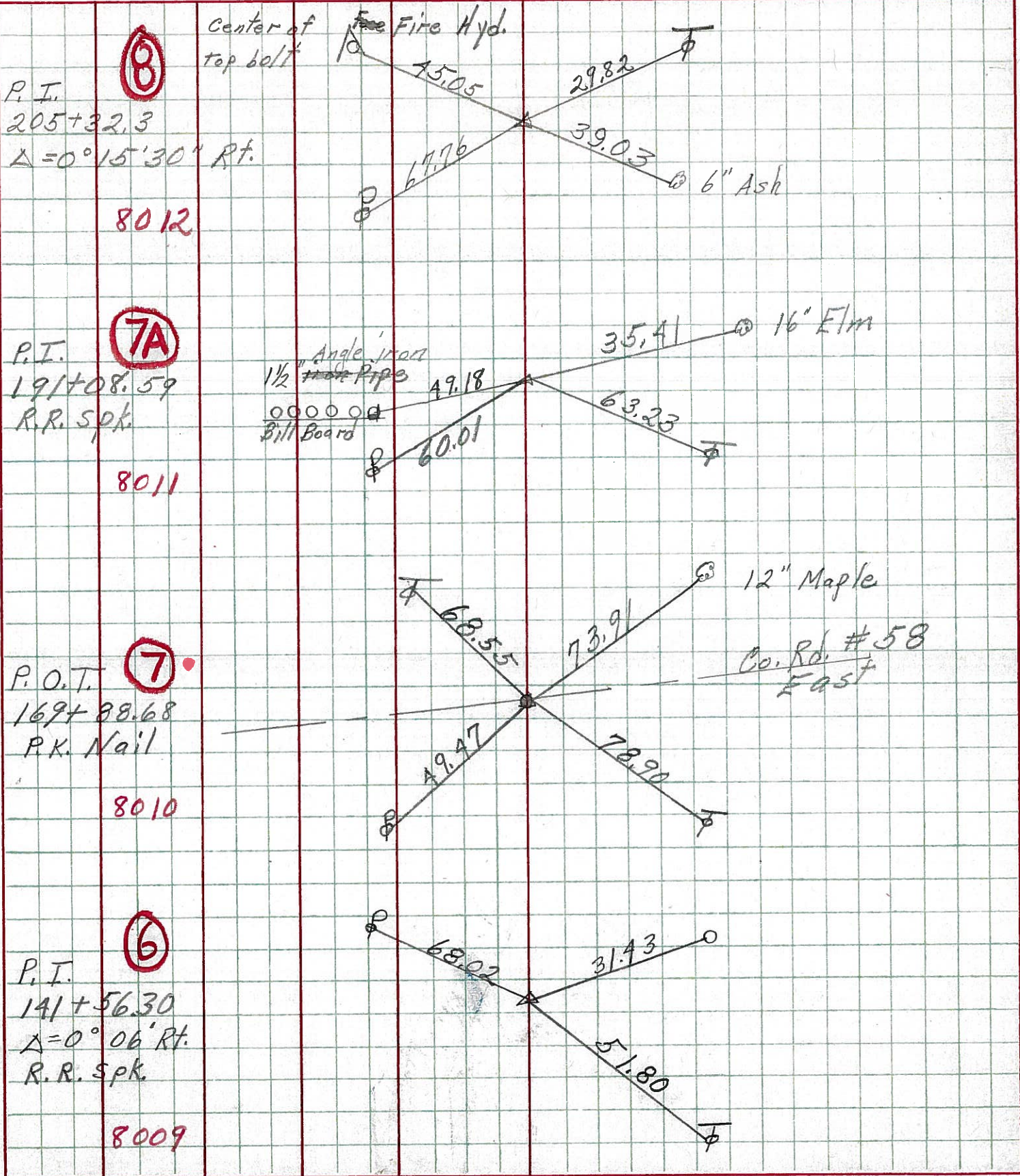
PERSONNEL TITLE PERSONNEL TITLE  
 Schneider \_\_\_\_\_ Potts \_\_\_\_\_  
 Mosser \_\_\_\_\_  
 Barbour \_\_\_\_\_  
 Redding \_\_\_\_\_

COUNTY Seneca DATE 9-27-68  
 S. R. 4 WEATHER Fair  
 SEC Crawford Co. Line North TEMP. 70°

DESCRIPTION Ties for Control Points

JOB NO. \_\_\_\_\_

LEFT CENTER LINE RIGHT



P.I. **(8)**  
 205+32.3  
 $\Delta = 0^\circ 15' 30''$  Rt.  
 8012

P.I. **(7A)**  
 191+08.59  
 R.R. Spk.  
 8011

P.O.T. **(7)**  
 169+88.68  
 P.K. Nail  
 8010

P.I. **(6)**  
 141+56.30  
 $\Delta = 0^\circ 06'$  Rt.  
 R.R. Spk.  
 8009



PERSONNEL TITLE PERSONNEL TITLE COUNTY Seneca DATE 9-27-68  
 Mosser \_\_\_\_\_ S. R. 4 WEATHER Fair  
 Barbour \_\_\_\_\_ SEC. Crawford Co. line North TEMP. 70°  
 Redding \_\_\_\_\_

DESCRIPTION Ties for Control Points LEFT CENTER LINE RIGHT JOB NO.

