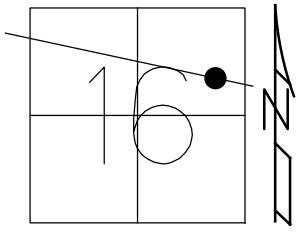


O.D.O.T. DISTRICT 2 SURVEY OFFICE (USE ONLY)

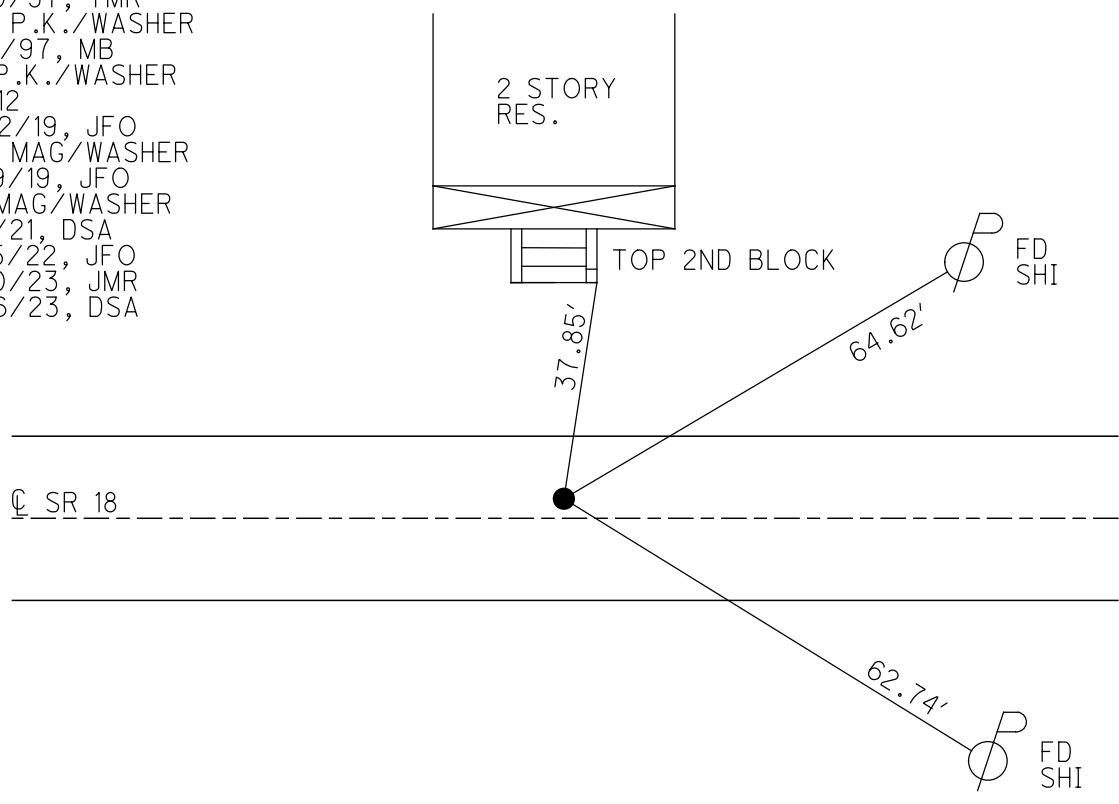
PERSONNEL \_\_\_\_\_ REFERENCE NO. 12 SHEET 7 OF 48  
 NOTES AUBLE DATE 9/1/21 ROUTE SR 18  
 H.C. NIESE WEATHER WINDY COUNTY SENECA  
 R.C. AUBLE TEMP. 72° TOWNSHIP LOUDON  
 DWG BY RHOADES PID PVTRAIN SECTION 16  
 T 2 N R 13 E

TYPE MONUMENT MAG/WASHER  
 ON SURFACE - ~~BELOW~~ ON  
 OFFSET ☐ PAVEMENT 3.2' LT : RT  
9.5' TO LT EDGE PAVEMENT  
 STATION: 196+63.75



HORZ. DATUM: NAD83 2011 GEOID: NAVD88 2012A  
 GRID: NORTHING: 535931.233 EASTING: 1730203.188

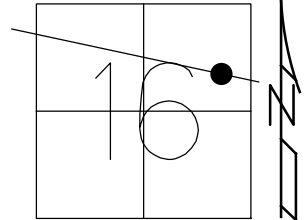
RECORD: P.O.T.  
 STA. 196+63.75  
 FD P.K./SHINER  
 ATOP MINE SPIKE  
 FD P.K. SHANK  
 7/10/97, TMR  
 SET P.K./WASHER  
 11/6/97, MB  
 FD P.K./WASHER  
 REF12  
 4/22/19, JFO  
 SET MAG/WASHER  
 8/19/19, JFO  
 FD MAG/WASHER  
 9/1/21, DSA  
 2/15/22, JFO  
 2/10/23, JMR  
 10/6/23, DSA



O.D.O.T. DISTRICT 2 SURVEY OFFICE (USE ONLY)

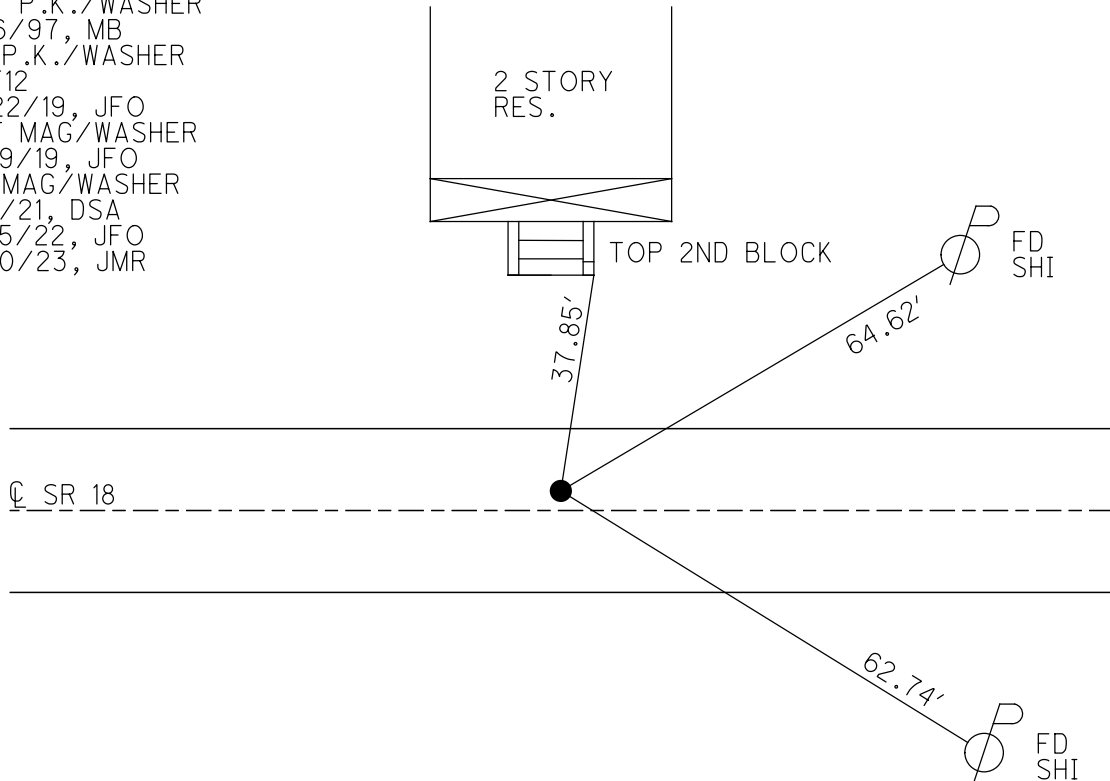
PERSONNEL \_\_\_\_\_ REFERENCE NO. 12 SHEET 7 OF 48  
 NOTES AUBLE DATE 9/1/21 ROUTE SR 18  
 H.C. NIESE WEATHER WINDY COUNTY SENECA  
 R.C. AUBLE TEMP. 72° TOWNSHIP LOUDON  
 SECTION 16  
 DWG BY RHOADES PID PVTRAIN T 2 N R 13 E

TYPE MONUMENT MAG/WASHER  
 ON SURFACE - ~~BELOW~~ ON  
 OFFSET Q PAVEMENT 3.2' LT : ~~RT~~  
9.5' TO LT EDGE PAVEMENT  
 STATION: 196+63.75



HORIZ.DATUM: NAD83(2011) GEOID: 2012A  
 GRID: NORTHING: 535931.233 EASTING: 1730203.188

RECORD: P.O.T.  
 STA. 196+63.75  
 FD P.K./SHINER  
 ATOP MINE SPIKE  
 FD P.K./SHANK  
 7/10/97, TMR  
 SET P.K./WASHER  
 11/6/97, MB  
 FD P.K./WASHER  
 REF12  
 4/22/19, JFO  
 SET MAG/WASHER  
 8/19/19, JFO  
 FD MAG/WASHER  
 9/1/21, DSA  
 2/15/22, JFO  
 2/10/23, JMR



O.D.O.T. DISTRICT 2 SURVEY OFFICE (USE ONLY)

PERSONNEL \_\_\_\_\_

REFERENCE NO. 12

SHEET 7 OF 48

NOTES AUBLE

DATE 9/1/21

ROUTE SR 18

H.C. NIESE

WEATHER WINDY

COUNTY SENECA

R.C. AUBLE

TEMP. 72°

TOWNSHIP LOUDON

SECTION 16

DWG BY RHOADES

PID PVTRAIN

T 2 N R 13 E

TYPE MONUMENT MAG/WASHER

ON SURFACE - ~~BELOW~~ ON

OFFSET  $\odot$  PAVEMENT 2.2' LT : ~~RT~~

9.5' TO LT EDGE PAVEMENT

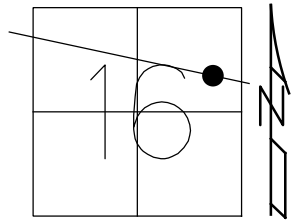
STATION: 196+63.75

HORIZ.DATUM: NAD83(2011)

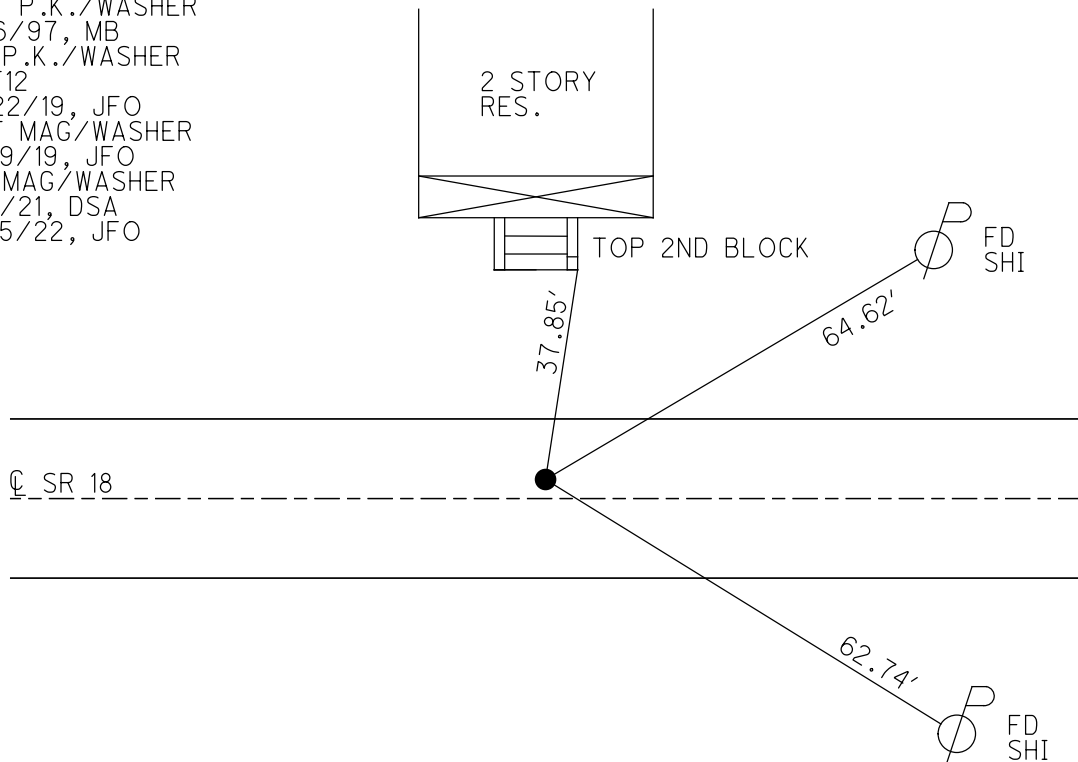
GEOID: 2012A

GRID: NORTHING: 535931.233

EASTING: 1730203.188



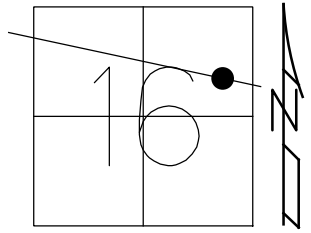
RECORD: P.O.T.  
 STA. 196+63.75  
 FD P.K./SHINER  
 ATOP MINE SPIKE  
 FD P.K.SHANK  
 7/10/97, TMR  
 SET P.K./WASHER  
 11/6/97, MB  
 FD P.K./WASHER  
 REF12  
 4/22/19, JFO  
 SET MAG/WASHER  
 8/19/19, JFO  
 FD MAG/WASHER  
 9/1/21, DSA  
 2/15/22, JFO



O.D.O.T. DISTRICT 2 SURVEY OFFICE (USE ONLY)

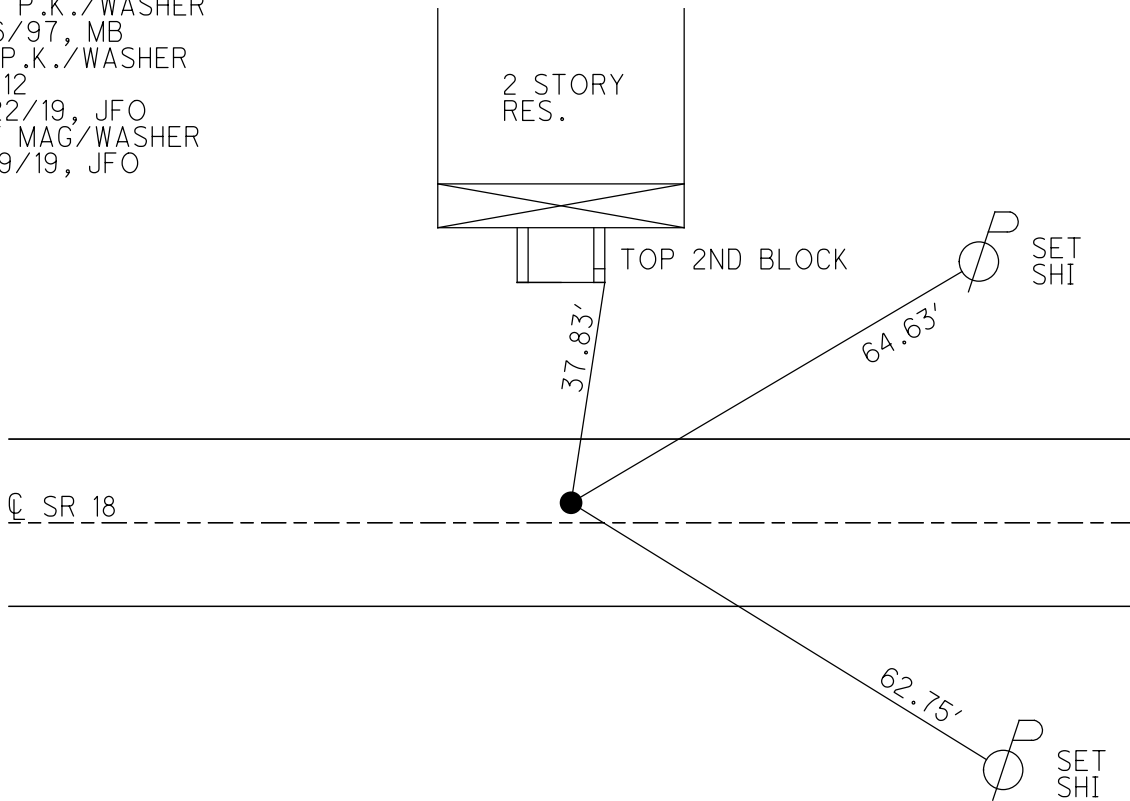
PERSONNEL \_\_\_\_\_ REFERENCE NO. 12 SHEET 7 OF 48  
 NOTES RHOADES DATE 8/19/19 ROUTE SR 18  
 H.C. O'DONNELL WEATHER SUNNY COUNTY SENECA  
 R.C. AUBLE TEMP. 70° TOWNSHIP LOUDON  
 SECTION 16  
 DWG BY NIESE PID NO PID T 2 N R 13 E

TYPE MONUMENT MAG/WASHER  
 ON SURFACE - ~~BELOW~~ ON  
 OFFSET  $\odot$  PAVEMENT 2.2' LT : ~~RT~~  
9.5' TO LT EDGE PAVEMENT  
 STATION: 196+63.75



HORZ. DATUM: NAD83(2011) GEOID: 2012A  
 GRID: NORTHING: 535931.233 EASTING: 1730203.188

RECORD: P.O.T.  
 STA. 196+63.75  
 FD P.K./SHINER  
 ATOP MINE SPIKE  
 FD P.K./SHANK  
 7/10/97, TMR  
 SET P.K./WASHER  
 11/6/97, MB  
 FD P.K./WASHER  
 REF12  
 4/22/19, JFO  
 SET MAG/WASHER  
 8/19/19, JFO



# O.D.O.T. DISTRICT 2 SURVEY OFFICE

PERSONNEL

REFERENCE NO. 12

SHEET 12 OF 22

NOTES Barniset

H.C. CANTERBURY

DATE 7-10-97

ROUTE 18

R.C. WEAVER

WEATHER SUNNY

COUNTY SENeca

Rousor

TEMP. +75°

TOWNSHIP London

DRAWN BY Rousor

SECTION 16

T2N R13E

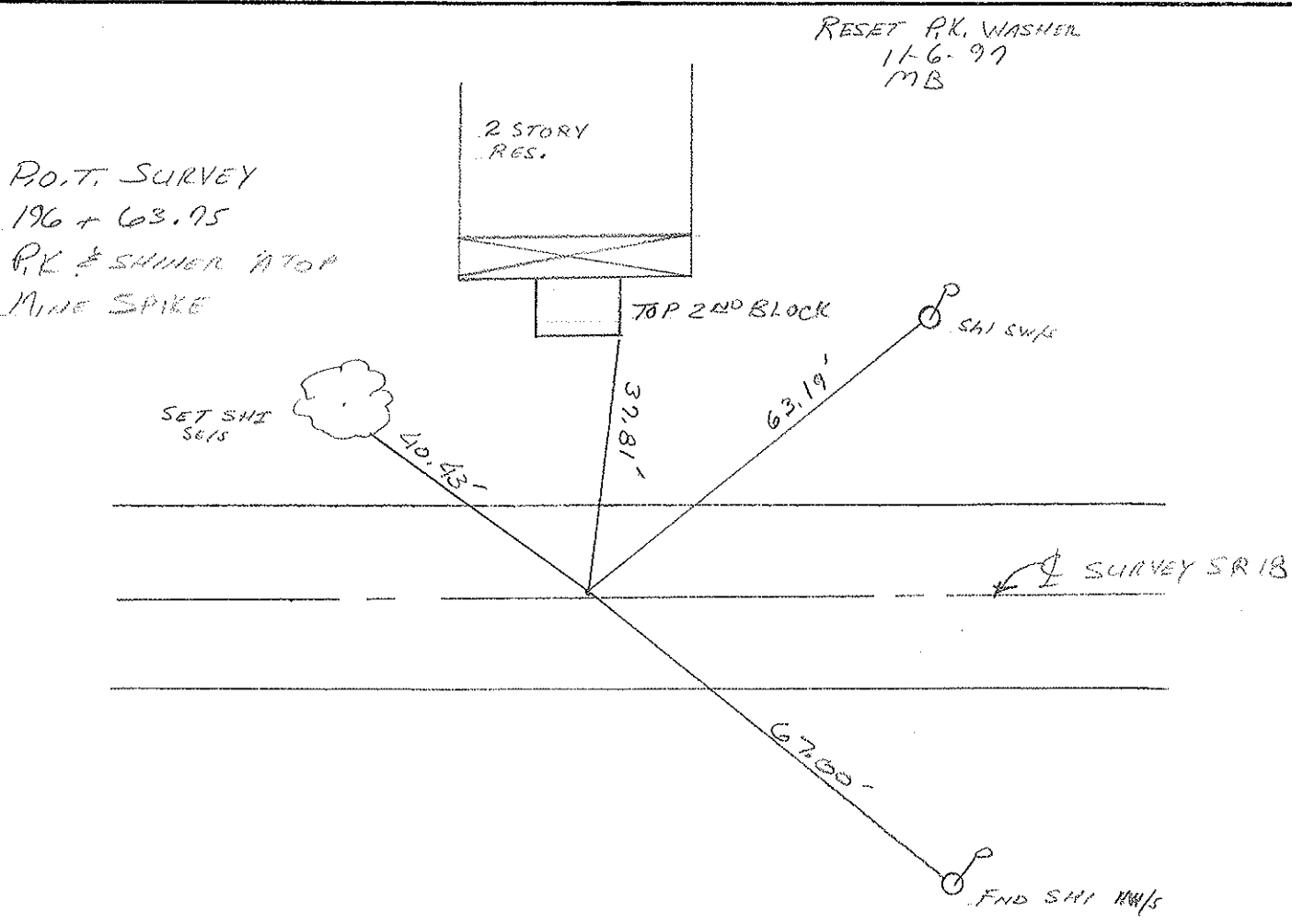
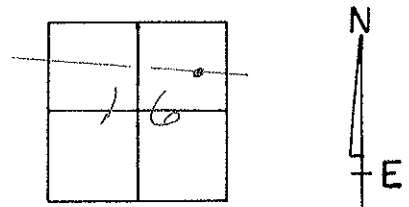
TYPE MONUMENT P.K. (SHANK FD.)

ON SURFACE - ~~BELOW~~ ON SURFACE

LEFT - ~~CL~~ PAV'T. - RIGHT 2.2'

9.5 TO LT. EDGE PAVEMENT

S.L.M. Lot 390, 7 SLK



# O.D.O.T. DISTRICT 2 SURVEY OFFICE

PERSONNEL

REFERENCE NO. 12

SHEET 12 OF     

NOTES CROWN (DRAW)

DRAWN 11/19/90

H.C. RIPPLE

DATE 11/12/87

ROUTE # 18

R.C. BARBOUR MEAS.

WEATHER SUNNY

COUNTY SENECA

GEYMAN

TEMP. 50°

TOWNSHIP LODON

SECTION 16

T 2 N R 13 E

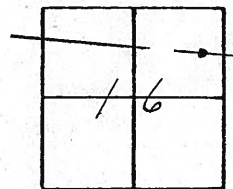
TYPE MONUMENT P.K. & Shiner

ON SURFACE - BELOW     

LEFT- & PAV'T. - RIGHT 2.9 ±

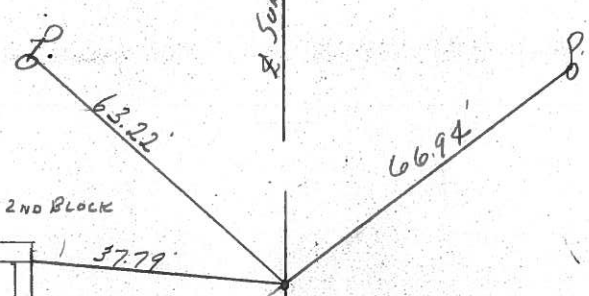
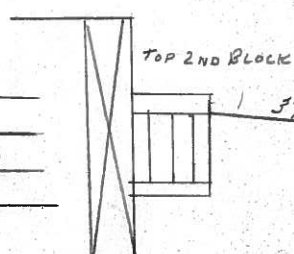
TO      EDGE PAVEMENT

S.L.M.     

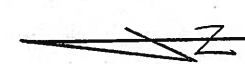


P.O.T. SURVEY  
 196 + 63.75  
 P.K. & SHINER ATOP  
 MINE SPIKE

2 story Res.



S. 502.512 #187





PERSONNEL TITLE PERSONNEL TITLE

COUNTY Seneca

DATE 10-16-68

Schneider

Mosser

Barbour

Potts

S. R. 18

WEATHER Fair-windy

SEC. Fostoria to Bascom

TEMP. 80°

DESCRIPTION Ties for Control Points

LEFT

CENTER LINE

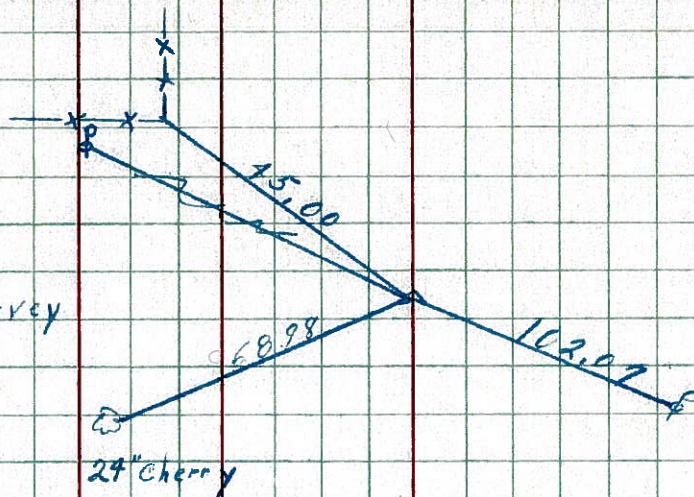
RIGHT

JOB NO.

14

P.T.  
226+77.92 Survey  
R.R. spk.

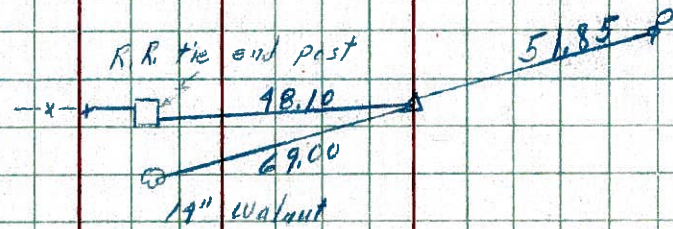
8103



13

P.T.  
203+17.80 Survey  
 $\Delta = 2^\circ 41' Lt$   
R.R. spk.

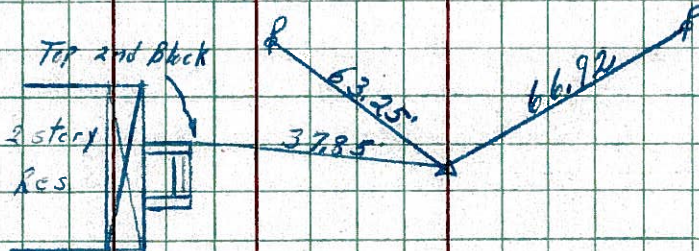
8102



12

P.T. Survey  
196+63.75  
 $\Delta = 0^\circ 29' Rt$   
R.R. spk.

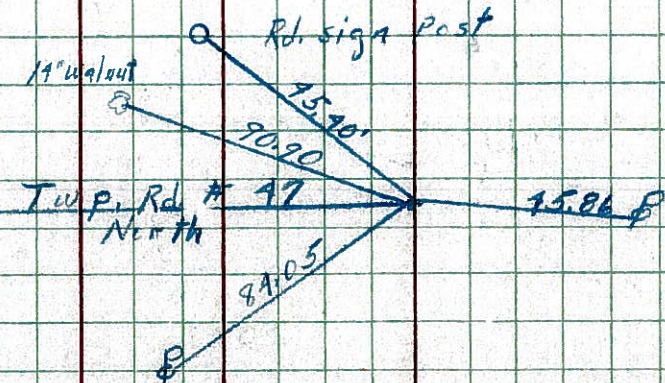
8101



11

P.O.T. Survey  
190+00.62  
R.R. spk.

8100



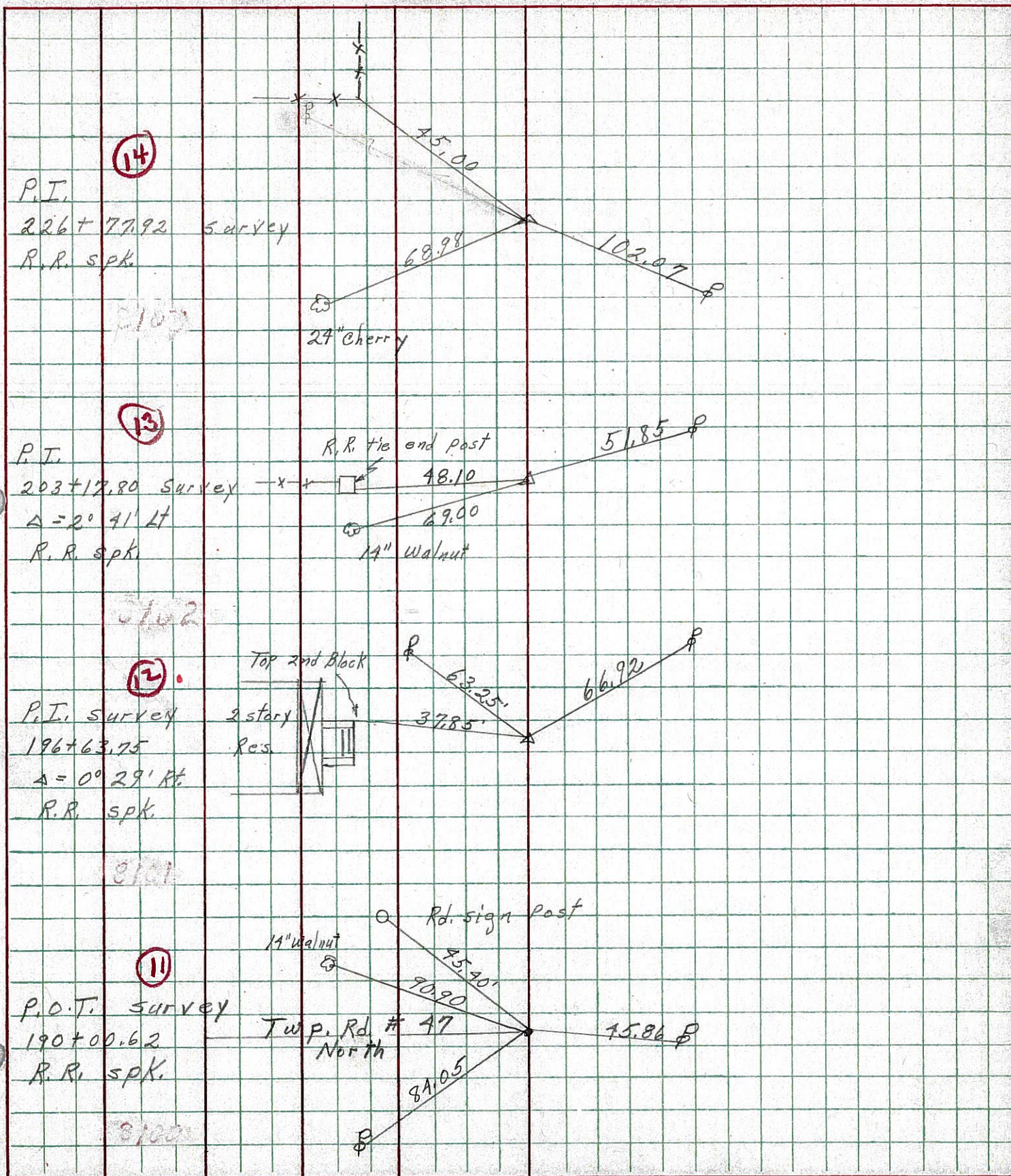


PERSONNEL TITLE PERSONNEL TITLE  
 Schneider \_\_\_\_\_  
 Mosser \_\_\_\_\_  
 Barbour \_\_\_\_\_  
 Potts \_\_\_\_\_

COUNTY Seneca DATE 10-16-68  
 S. R. 18 WEATHER Fair-windy  
 SEC. Fostoria to Bascom TEMP. 80°

DESCRIPTION Ties for Control Points JOB NO. \_\_\_\_\_

LEFT CENTER LINE RIGHT



37.81

PERSONNEL TITLE PERSONNEL TITLE

Hsh

COUNTY Seneca

DATE Dec. 4 '58

Cronin

S. R. #18 Fosteria-Boscom Rd. WEATHER Cloudy

Leemaster

Lahr.

SEC. Sen-18-(1179-860) TEMP. 30°

Gahr K.

DESCRIPTION

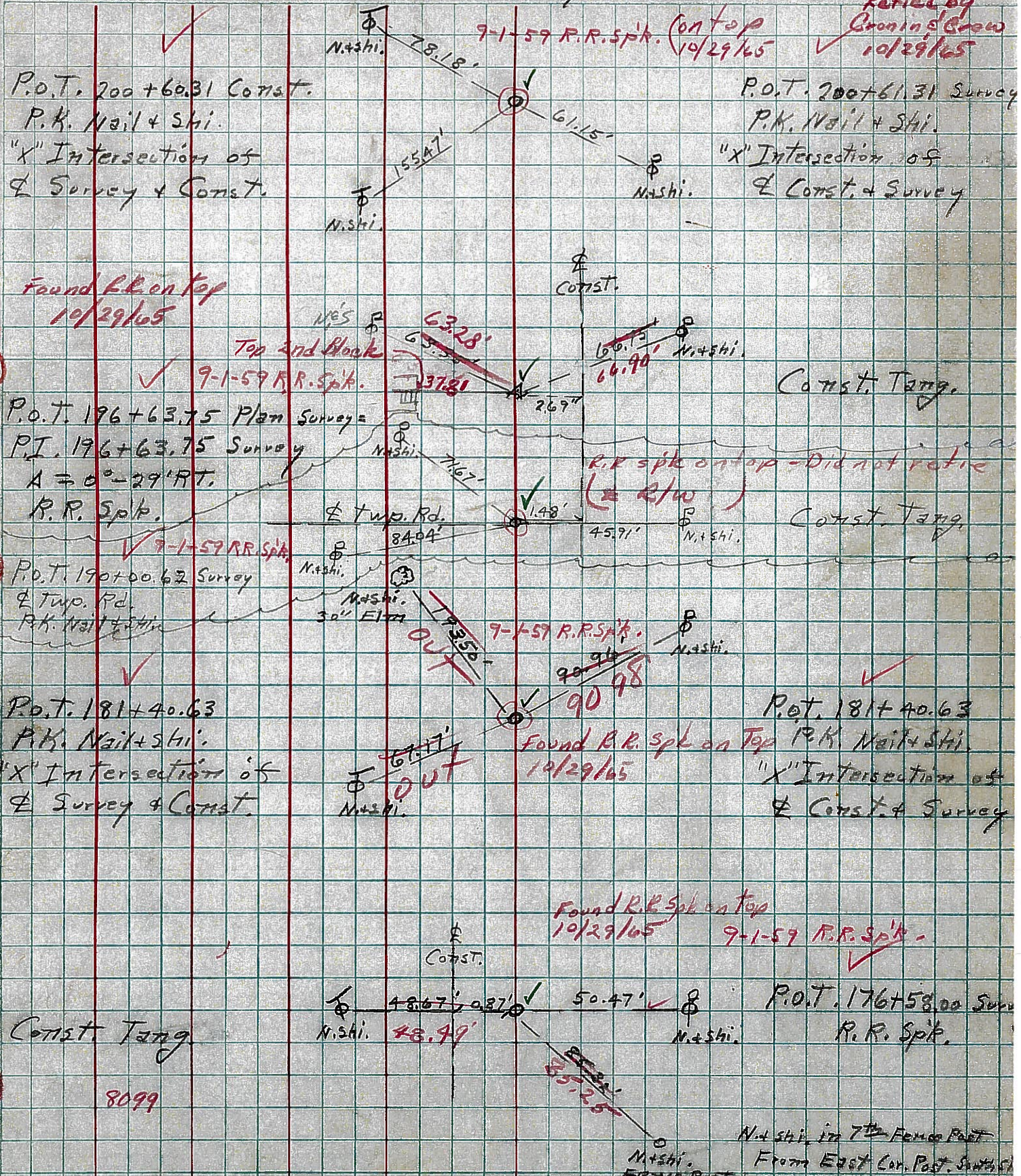
Control Point Ties - Survey & Const.

JOB NO.

LEFT

CENTER LINE Survey

RIGHT



12

13

11

10

8099

Nishi in 7th Fence Post From East Cor. Post. Survey