

O.D.O.T. DISTRICT 2 SURVEY OFFICE (USE ONLY)

PERSONNEL

REFERENCE NO. 29

SHEET 31 OF 48

NOTES NIESE

DATE 11/6/23

ROUTE SR 18

H.C. AUBLE

WEATHER CLOUDY

COUNTY SENECA

R.C. RHOADES

TEMP. 58°

TOWNSHIP HOPEWELL

SECTION 17

DWG BY RHOADES

PID R/W

T 2 N R 14 E

TYPE MONUMENT P.K./WASHER

ON SURFACE - ~~BELOW~~ ON

OFFSET  $\phi$  PAVEMENT ON LT : RT

16.0' TO RT EDGE PAVEMENT

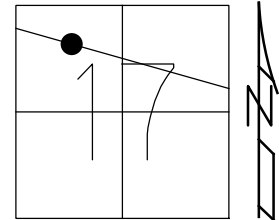
STATION: 446+08.90

HORZ.DATUM: NAD83(2011)

GEOID: NAVD88 2018

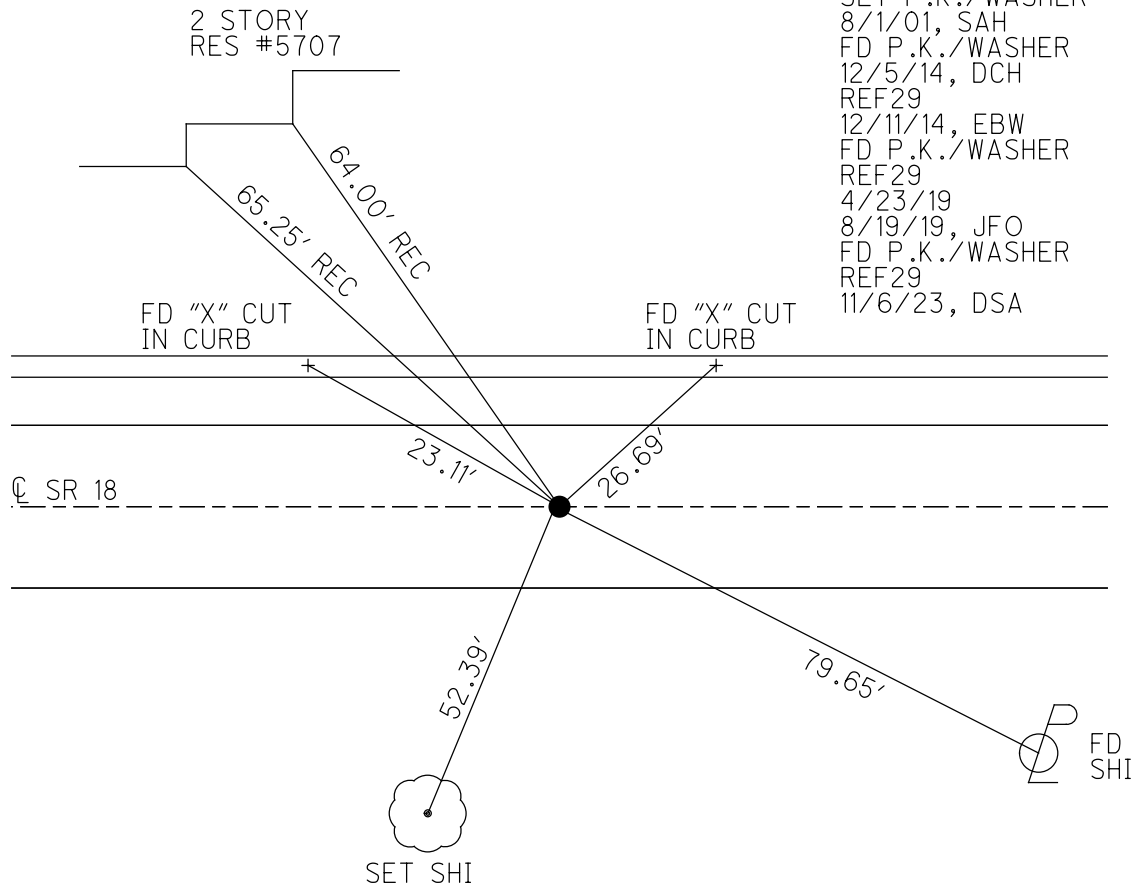
GRID: NORTHING: 534994.953

EASTING: 1753702.041



SENECA LPD:  
N: 303511.922  
E: 128288.729

RECORD:  
PREV MONUMENTS:  
P.K./SHINER  
R.R.SPIKE  
FD P.K./WASHER  
6/28/01, DCH  
SET P.K./WASHER  
8/1/01, SAH  
FD P.K./WASHER  
12/5/14, DCH  
REF29  
12/11/14, EBW  
FD P.K./WASHER  
REF29  
4/23/19  
8/19/19, JFO  
FD P.K./WASHER  
REF29  
11/6/23, DSA



O.D.O.T. DISTRICT 2 SURVEY OFFICE (USE ONLY)

PERSONNEL

REFERENCE NO. 29

SHEET 31 OF 48

NOTES CORDES

DATE 6/28/01

ROUTE SR 18

H.C. HOMAN

WEATHER SUNNY

COUNTY SENECA

R.C. VAN DUSEN

TEMP. 90°

TOWNSHIP HOPEWELL

CANTERBURY

SECTION 17

DWG BY NIESE PID NO PID

T 2 N R 14 E

TYPE MONUMENT P.K./WASHER

ON SURFACE - ~~BELOW~~ ON

OFFSET ☉ PAVEMENT ON LT : RT

16.0' TO RT EDGE PAVEMENT

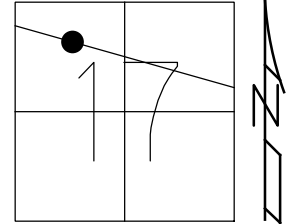
STATION: 446+08.90

HORIZ.DATUM: NAD83(2011)

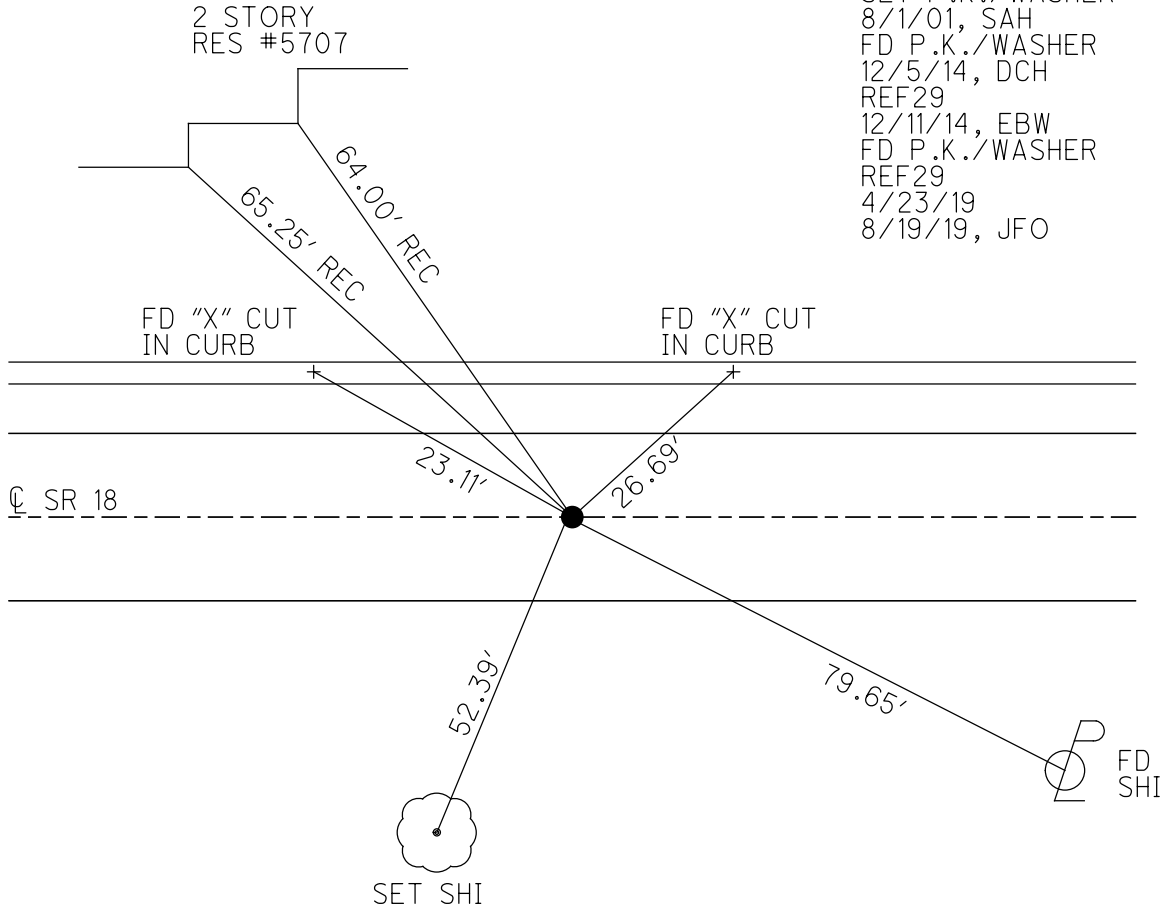
GEOID: 2012A

GRID: NORTHING: 534994.953

EASTING: 1753702.041



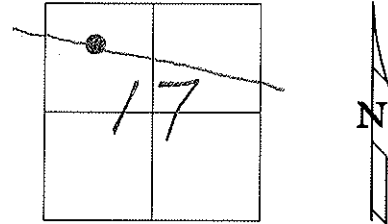
RECORD:  
 PREV MONUMENTS:  
 P.K./SHINER  
 R.R.SPIKE  
 FD P.K./WASHER  
 6/28/01, DCH  
 SET P.K./WASHER  
 8/1/01, SAH  
 FD P.K./WASHER  
 12/5/14, DCH  
 REF29  
 12/11/14, EBW  
 FD P.K./WASHER  
 REF29  
 4/23/19  
 8/19/19, JFO



O.D.O.T. DISTRICT 2 SURVEY OFFICE

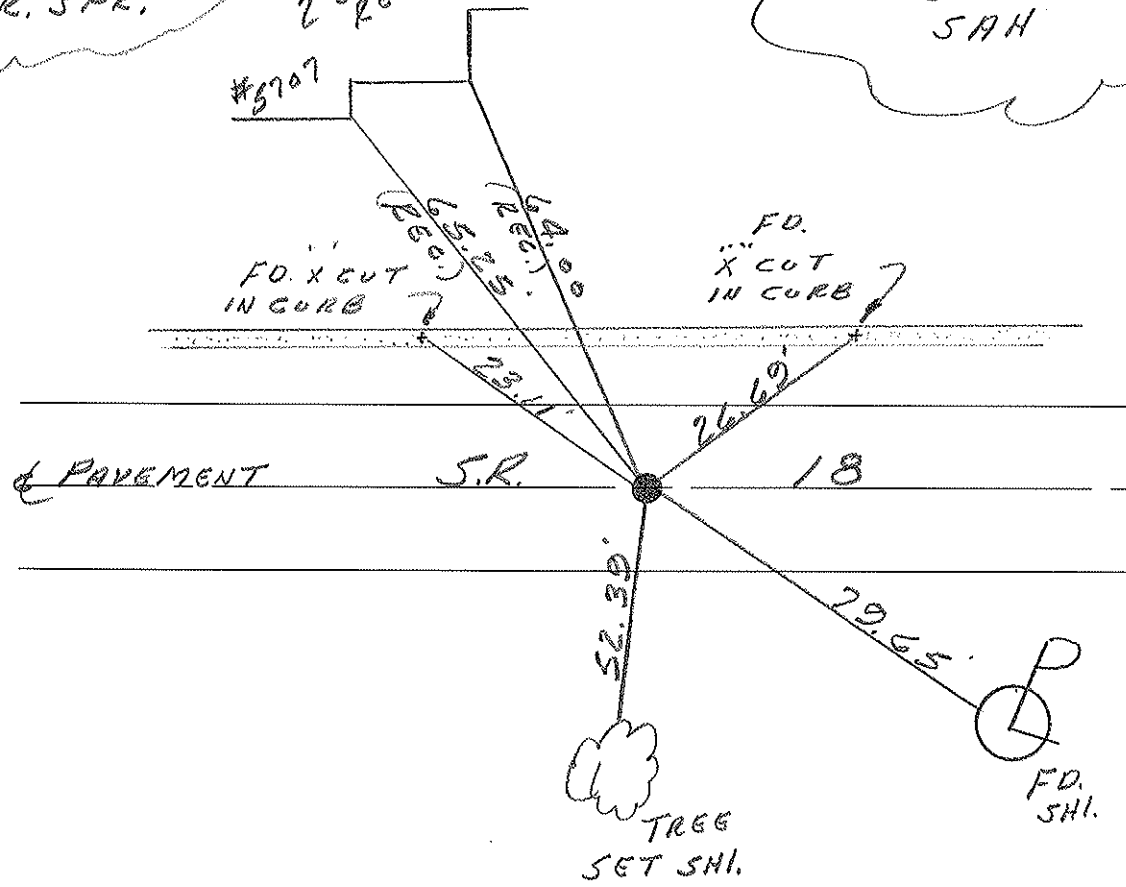
PERSONNEL	REFERENCE NO. <u>29</u>	SHEET <u>10</u> OF <u>26</u>
NOTES <u>CORDES</u>	DATE <u>6-28-01</u>	ROUTE <u>18</u>
H.C. <u>HOMAN</u>	WEATHER <u>SUNNY</u>	COUNTY <u>SENECA</u>
R.C. <u>VAN DUSEN</u>	TEMP. <u>+90°F</u>	TOWNSHIP <u>HOPWELL</u>
<u>CANTERBURY</u>		SECTION <u>17</u>
		T2 N R14 E

TYPE MONUMENT PK&WASHER  
 ON SURFACE - BELOW YES  
~~LEFT~~ - Q PAV'T - ~~RIGHT~~ YES  
16.0' TO RT. EDGE PAVEMENT  
 S.L.M. 446+96  
 S.L.K. \_\_\_\_\_



PREVIOUS MONUMENTS:  
 1 PK&SHINGR  
 R.R. SPK.  
 2 STORY RES.

SET PK&WASHER  
 8-1-01  
 SAH



# O.D.O.T. DISTRICT 2 SURVEY OFFICE

PERSONNEL

REFERENCE NO. 29

SHEET 10 OF 27

NOTES CHENEY

H.C. RIPPLE

DATE 11-5-1991

ROUTE 18

R.C. BARBOUR

WEATHER PARTLY CLOUDY

COUNTY SENECA

GEYMAN

TEMP. 25°

TOWNSHIP HOPWELL

SECTION 17

T2N R14E

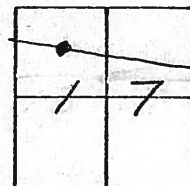
TYPE MONUMENT SET PK/WASHER

ON SURFACE - ~~BELOW~~

~~LEFT~~ - & PAV'T. - ~~RIGHT~~

16' TO RT. EDGE PAVEMENT

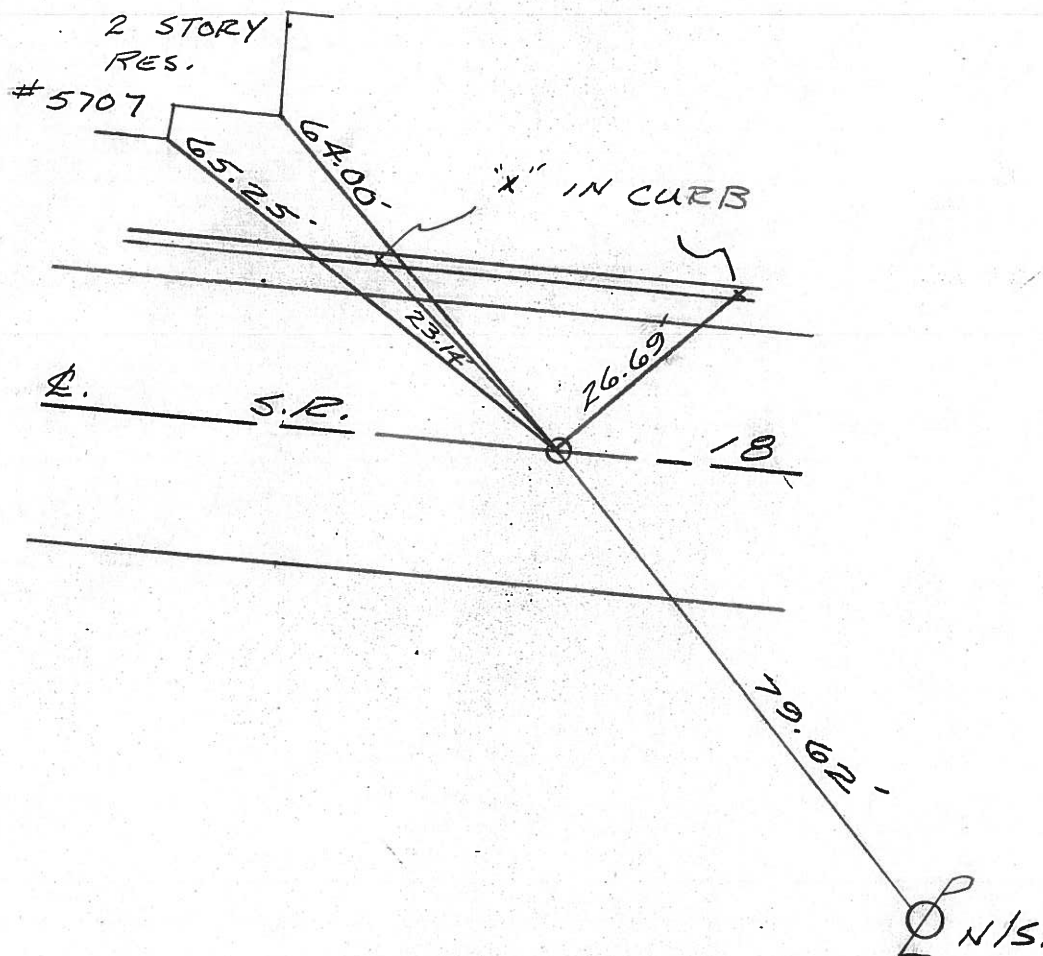
S.L.M. 446+65



PREVIOUS MONUMENTS:

P.K./SHINER

R.R. SPK.





QD.O.T. DISTRICT 2 SURVEY OFFICE

Sht. \_\_\_ of \_\_\_

County Seneca S.R. # 18

Date OK-9-11-80-G.W.S.  
5-16-80

Township Hopewell

Weather Fair

Section 17

Temp. 60°

T2N, R14E

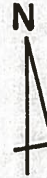
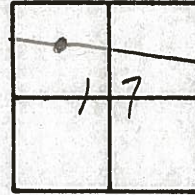
Personnel Schneider

Mosser

Barbour

Gronin

Ripple Geyman



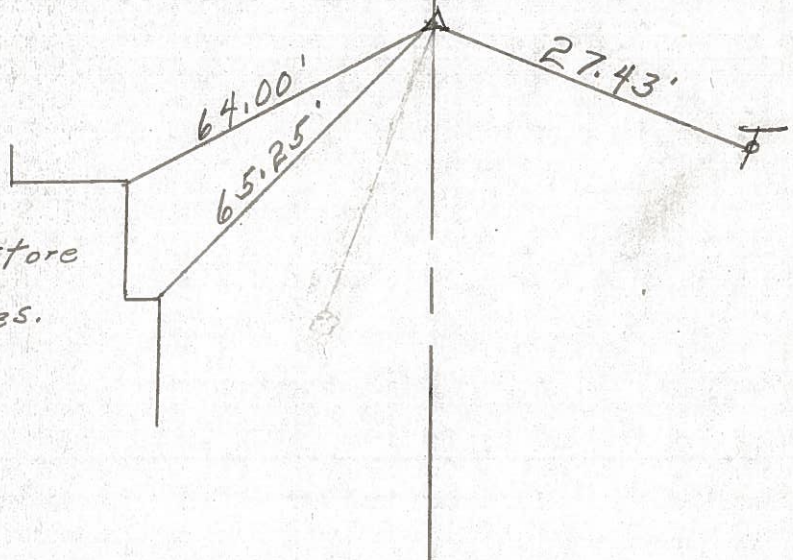
29



Survey & Const. -

P. I.  
434 + 39.16  
R. R. SPK.  
SET P.K & SHI.

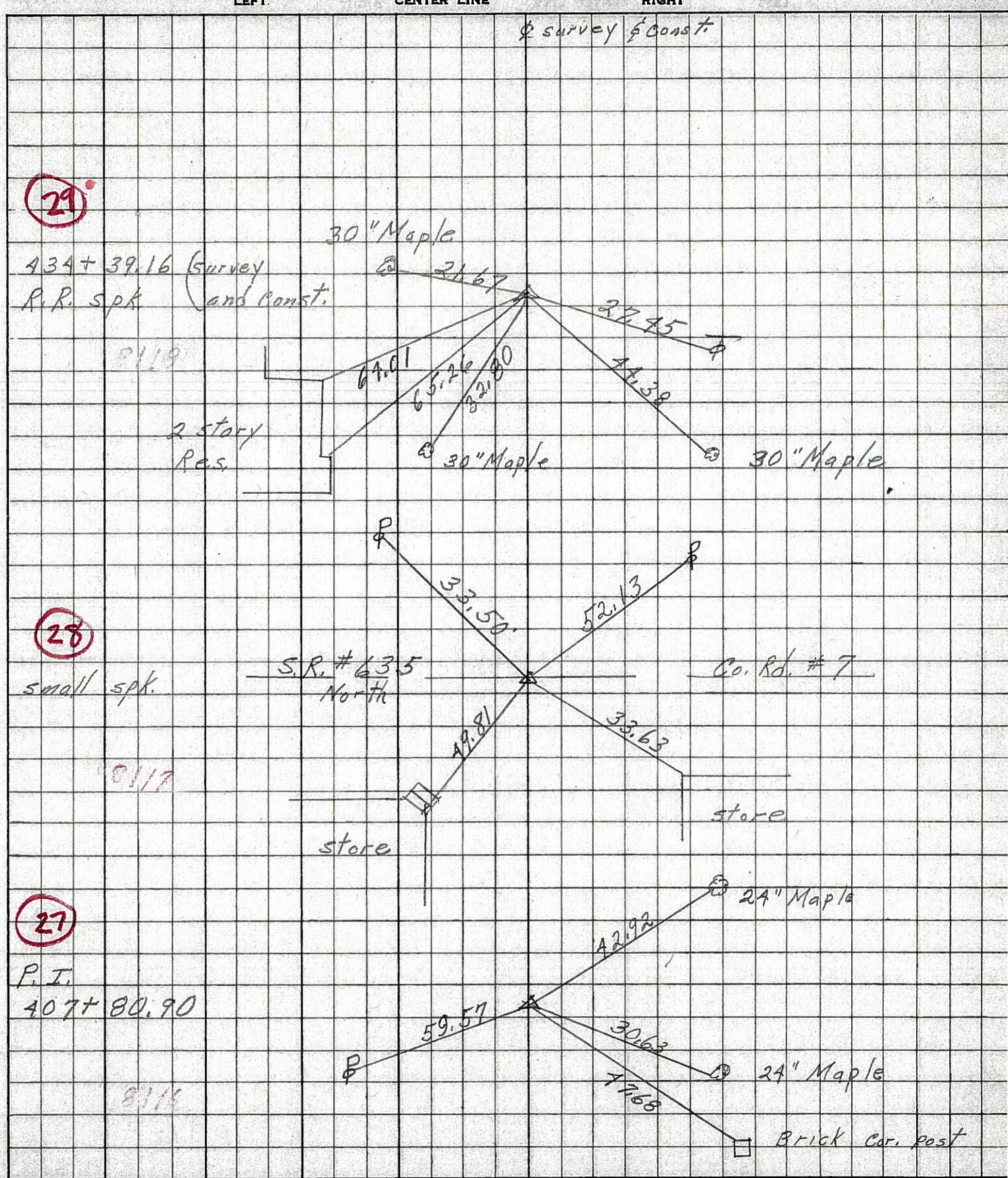
2 store  
Res.





PERSONNEL	TITLE	PERSONNEL	TITLE	COUNTY	DATE
Schneider		Potts		Seneca	10-27-68
Mosser				S. R. 18	WEATHER Cloudy
Barbour				SEC. Bascom to Tiffin	TEMP. 50°
Redding					

DESCRIPTION Ties for Control Points JOB NO. \_\_\_\_\_





PERSONNEL TITLE PERSONNEL TITLE

COUNTY Semola

DATE Mar. 24, 1959

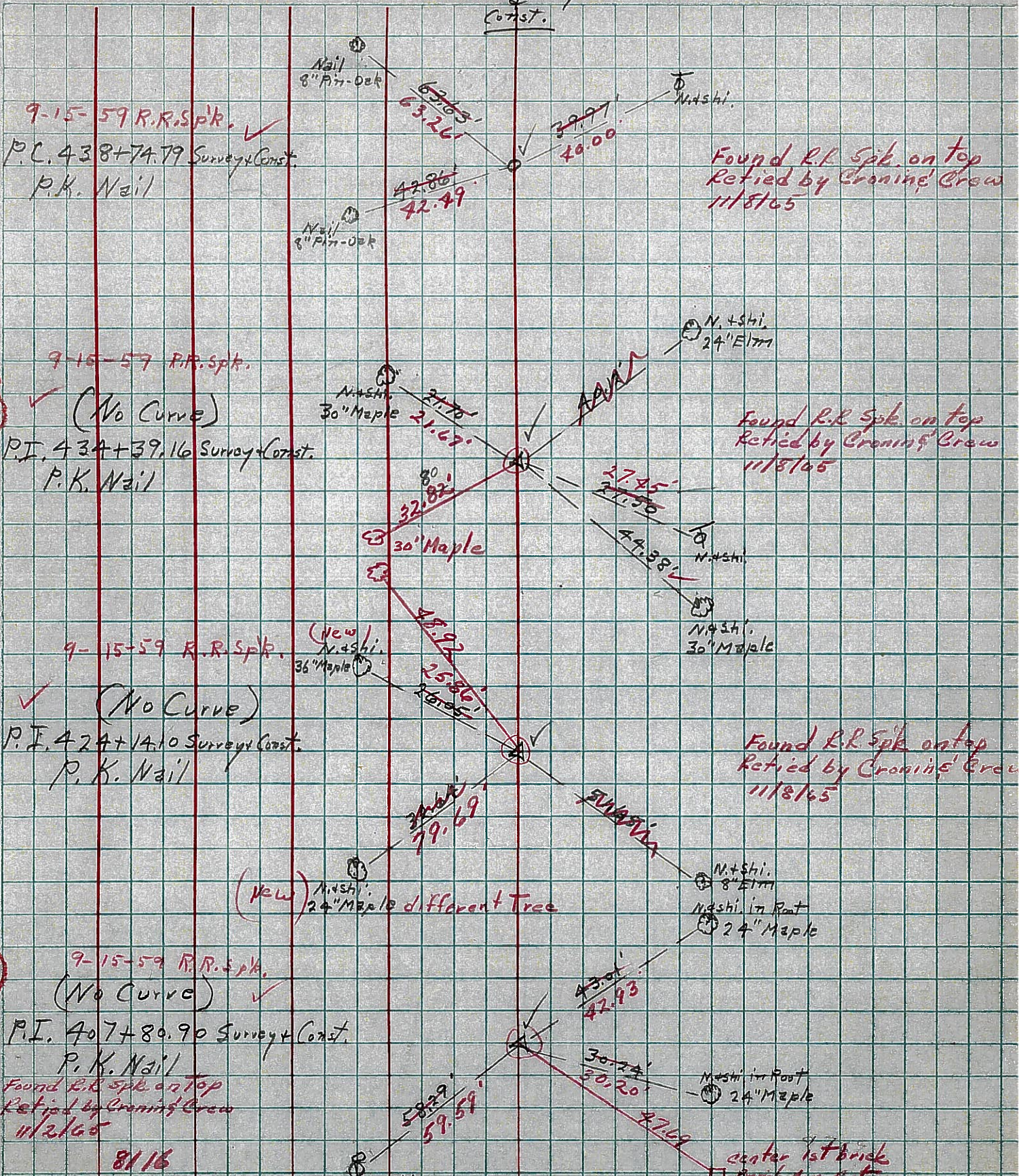
Hsh  
Cronin  
Leemaster  
John K.

S. R. #18 Fosteria-Bascom Rd WEATHER Clear

SEC. Sen-18(1.79-8.60) TEMP 50°

DESCRIPTION Control Point Ties - Survey & Const. JOB NO.

LEFT CENTER LINE - Survey RIGHT



29

27

8116

center 1st brick  
brick for R.T.