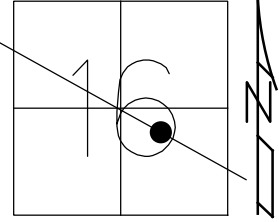


O.D.O.T. DISTRICT 2 SURVEY OFFICE (USE ONLY)

PERSONNEL _____ REFERENCE NO. 40 SHEET 42 OF 48
 NOTES SAVAGE DATE 9/2/21 ROUTE SR 18
 H.C. AUBLE WEATHER SUNNY COUNTY SENECA
 R.C. NIESE TEMP. 64° TOWNSHIP HOPEWELL
 _____ SECTION 16
 DWG BY RHOADES PID PVTRAIN T 2 N R 14 E

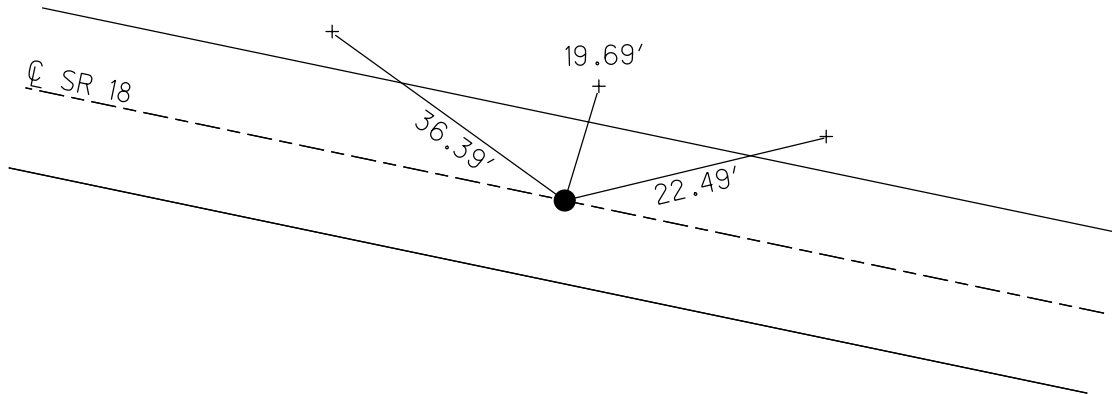
TYPE MONUMENT P.K./WASHER
 ON SURFACE - ~~BELOW~~ ON
 OFFSET ☐ PAVEMENT ON LT : RT
10.5' TO LT EDGE PAVEMENT
 STATION: 517+69



HORIZ.DATUM: NAD83(2011) GEOID: 2012A
 GRID: NORTHING: 533953.778 EASTING: 1760676.042

RECORD: P.C.
 STA.505+48.59
 PREV MONUMENTS:
 P.K./SHINER
 R.R.SPIKE
 FD P.K./WASHER
 6/4/01, BVD
 SET P.K./WASHER
 8/1/01, SAH
 FD P.K.NAIL
 REF40
 4/22/19
 8/19/19, JFO
 FD P.K./WASHER
 REF40
 9/2/21, DSA
 2/16/22, JFO

SET "+" CUTS
 CURB



O.D.O.T. DISTRICT 2 SURVEY OFFICE (USE ONLY)

PERSONNEL

REFERENCE NO. 40

SHEET 42 OF 48

NOTES VAN DUSEN

DATE 6/4/01

ROUTE SR 18

H.C. ROUSOS

WEATHER SUNNY

COUNTY SENECA

R.C. BROWN

TEMP. 60°

TOWNSHIP HOPEWELL

DWG BY NIESE

PID NO PID

SECTION 16

T 2 N R 14 E

TYPE MONUMENT P.K./WASHER

ON SURFACE - ~~BELOW~~ ON

OFFSET 0 PAVEMENT ON LT : RT

10.5' TO LT EDGE PAVEMENT

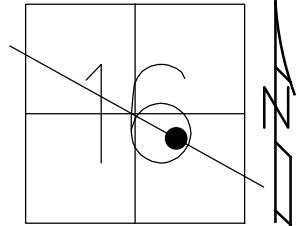
STATION: 517+69

HORZ.DATUM: NAD83(2011)

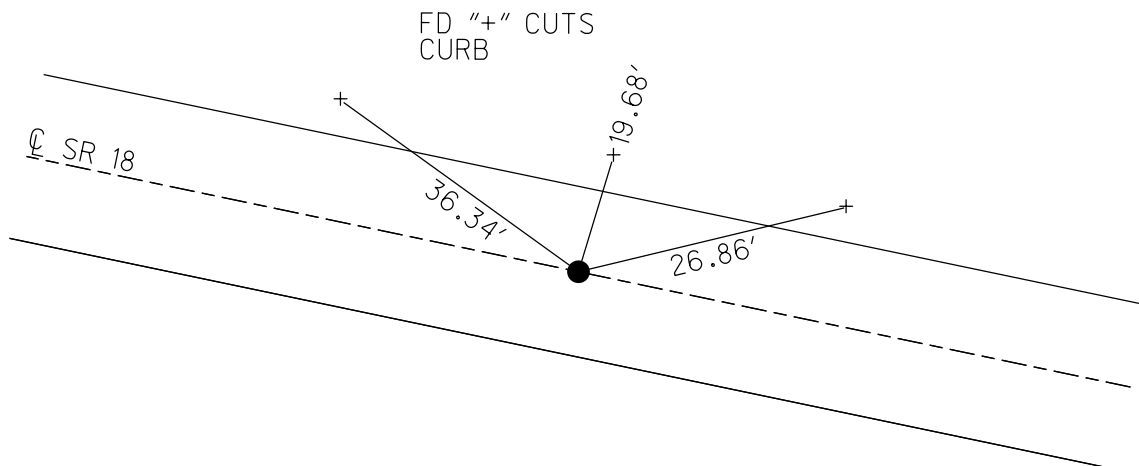
GEOID: 2012A

GRID: NORTHING: 533953.778

EASTING: 1760676.042



RECORD: P.C.
 STA.505+48.59
 PREV MONUMENTS:
 P.K./SHINER
 R.R.SPIKE
 FD P.K./WASHER
 6/4/01, BVD
 SET P.K./WASHER
 8/1/01, SAH
 FD P.K.NAIL
 REF40
 4/22/19
 8/19/19, JFO



O.D.O.T. DISTRICT 2 SURVEY OFFICE

PERSONNEL

REFERENCE NO. 40

SHEET 20 OF 20

NOTES VAN DUSEN

H.C. Rousos

R.C. ADAM B.

DATE 6-4-01

WEATHER SUNNY

TEMP. +60° F

ROUTE 18

COUNTY SENECA

TOWNSHIP HOPWELL

SECTION 16

T2 NR 14 E

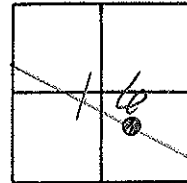
TYPE MONUMENT PK&WASHER

ON SURFACE - BELOW YES

LEFT - CL PAV'T. - RIGHT YES

10.5 TO N EDGE PAVEMENT

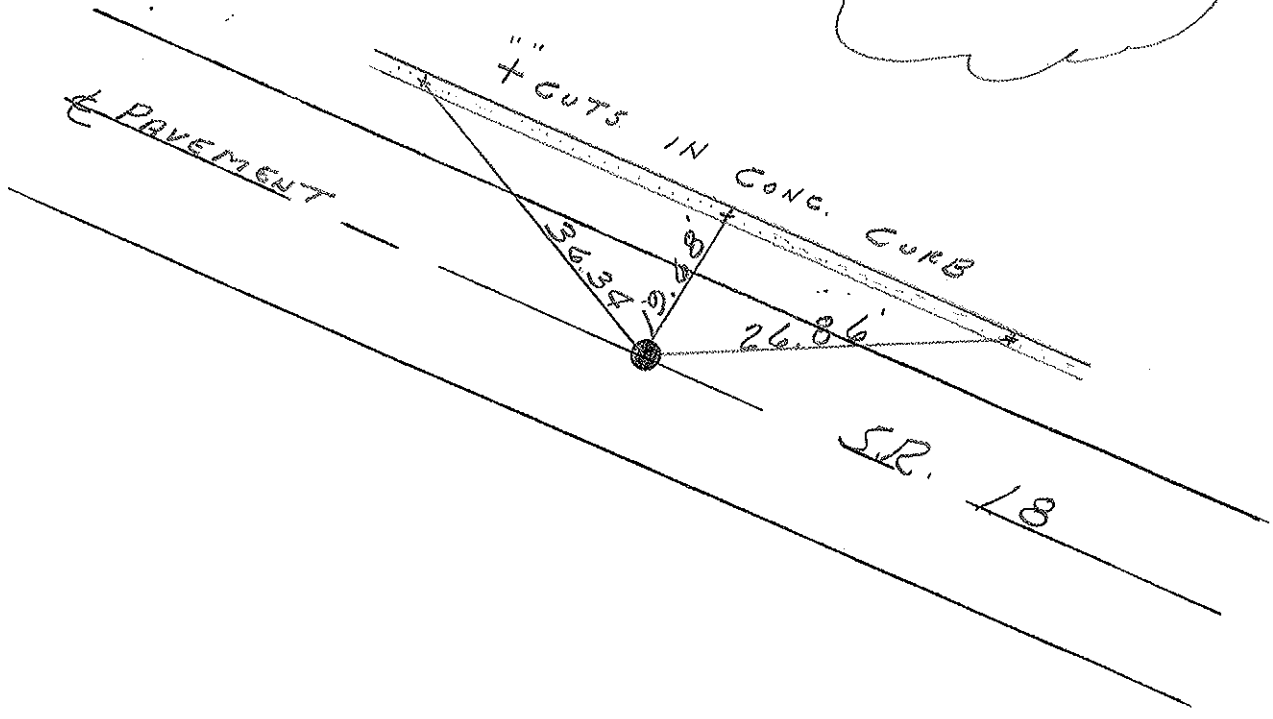
S.L.M. 517+69



*(PREVIOUS MONUMENTS;
PK/SHINER
R.R. SPIKE.*

PLAN STA. PC=505+48.59
R.R. SPIKE

*SET PK&WASHER
8-1-01
SAH*



O.D.O.T. DISTRICT 2 SURVEY OFFICE

PERSONNEL

REFERENCE NO. 40

SHEET 20 OF 27

NOTES CHENEY

H.C. RIPPLE

DATE 11-5-1991

ROUTE 18

R.C. BARBOUR

WEATHER PARTLY CLOUDY

COUNTY SENECA

GEYMAN

TEMP. 30°

TOWNSHIP HOPEWELL

SECTION 16

T2 N R 14 E

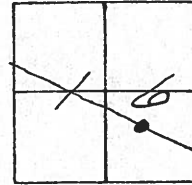
TYPE MONUMENT SET PK/WASHER

ON SURFACE - BELOW

LEFT - & PAV'T. - RIGHT

10.5 TO N. EDGE PAVEMENT

S.L.M. 517+53

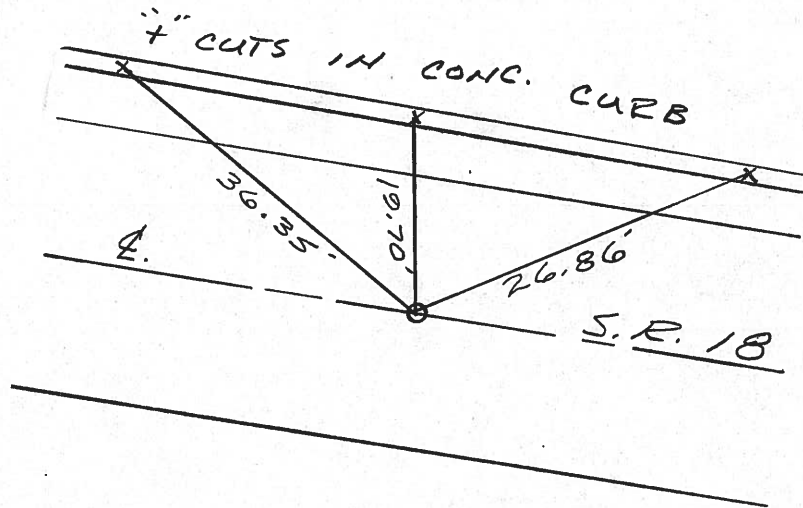


PREVIOUS MONUMENTS:

PK/SHINER

R.R. SPK.

PLAN STA PC = 505+48.59
RR SPIKE



ODOT. DISTRICT 2 SURVEY OFFICE

Sht. ___ of ___

County Seneca S.R. # 18

Date OK-9-12-80 G.W.S.
5-19-80

Township Hopewell

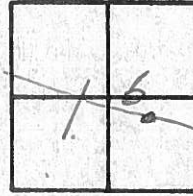
Weather cloudy

Section 16

Temp. 3-8°

T2N, R14E

Personnel Schneider
Mosser
Barbour
Cronin
Ripple Geyman



40



☉ S.R. # 18

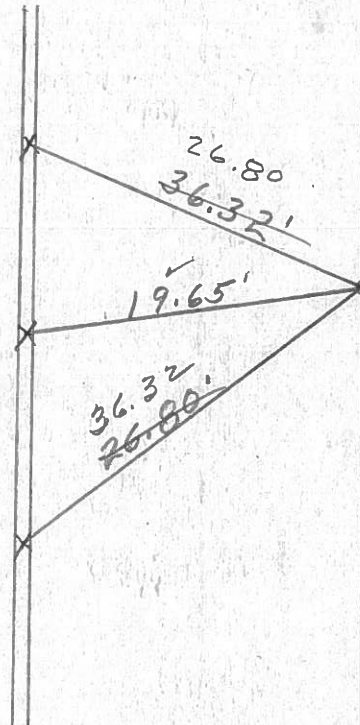
P.C.

505 + 48.59

R.R. SPK.

SET P.K. & SHI.

3'-X" on top curb

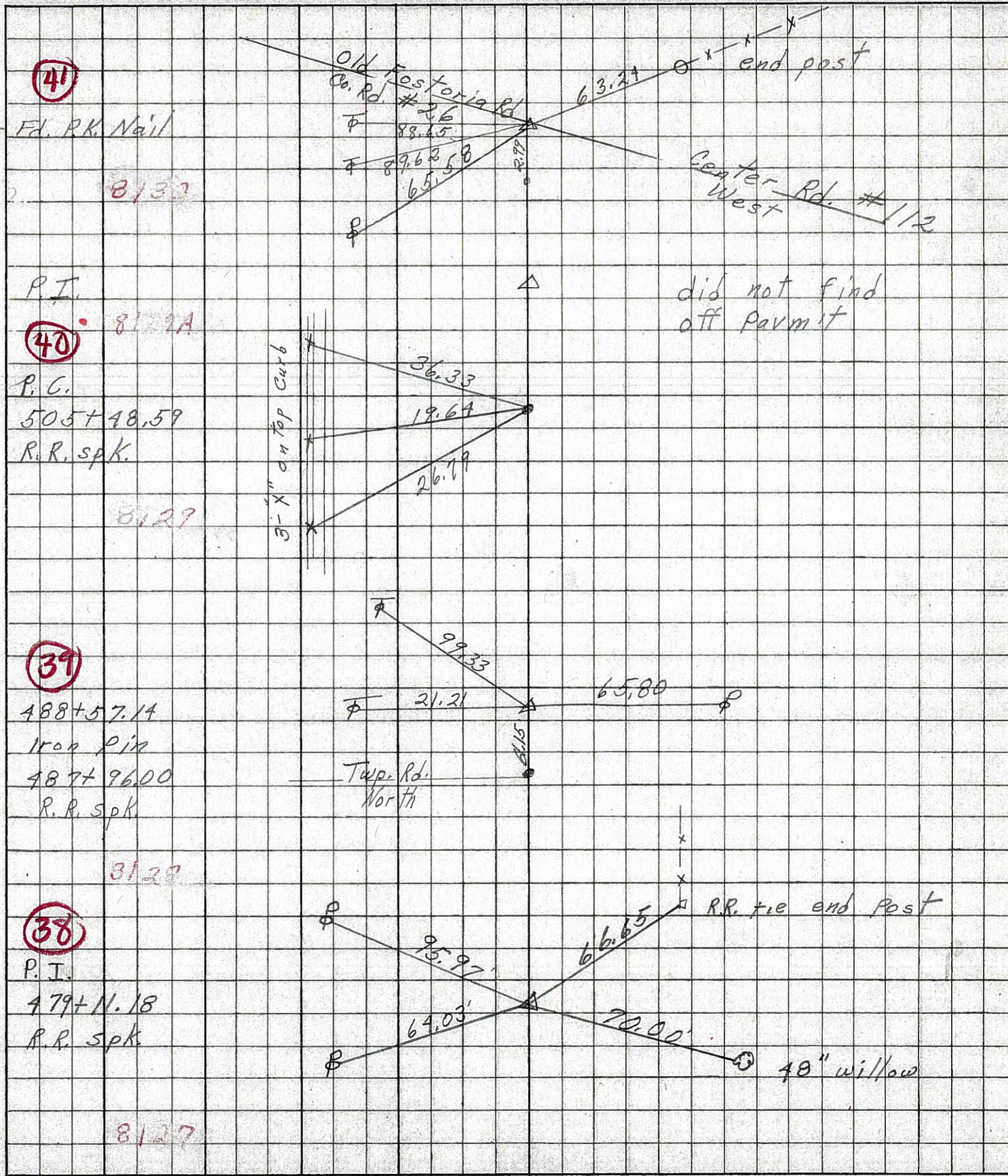


RR SPK

PERSONNEL	TITLE	PERSONNEL	TITLE	COUNTY	DATE	WEATHER	TEMP.
Schneider		Potts		Seneca	10-21-68	Cloudy-Rain	45°
Masser				S. R. 18			
Barbour				SEC. Bascom to Tiffin			
Redding							

DESCRIPTION Ties for Control Points JOB NO. _____

LEFT CENTER LINE RIGHT



41

2 - Fd. P.K. Nail

8137

Old Fostoria Rd
Co. Rd. # 26
88.65
89.62
65.58
63.24
end post
Center Rd. West #112

P.I.

40

8121A

did not find off permit

P.C.
505+48.59
R.R. spk.

8127

3'-x" on top curb
36.33
19.64
26.79

39

488+57.14
Iron pin
487+96.00
R.R. spk.

3127

99.33
21.21
65.80
Twp. Rd. North

38

P.I.
479+11.18
R.R. spk.

8127

RR. tie end post
95.97
66.65
64.03
70.00
40" willow