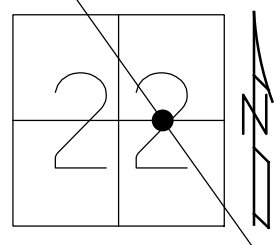


O.D.O.T. DISTRICT 2 SURVEY OFFICE (USE ONLY)

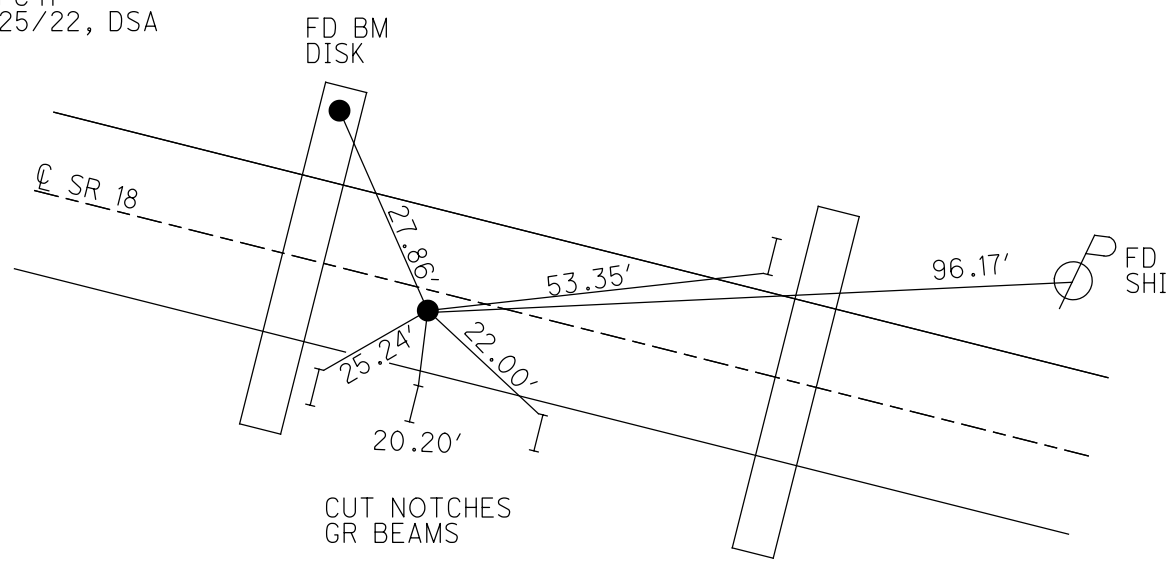
PERSONNEL _____ REFERENCE NO. 41 C SHEET 47 OF 48
 NOTES RHOADES DATE 9/8/21 ROUTE SR 18
 H.C. AUBLE WEATHER SUNNY COUNTY SENECA
 R.C. NIESE TEMP. 68° TOWNSHIP HOPEWELL
 DWG BY WHITAKER PID PVTRN SECTION 22
 T 2 N R 14 E

TYPE MONUMENT P.K. SHANK
 ON SURFACE - ~~BELOW~~ ON _____
 OFFSET \odot PAVEMENT 3.2' ~~LF~~ : RT
9.5' TO RT EDGE PAVEMENT
 STATION: 599+92



HORZ. DATUM: NAD83(2011) GEOID: 2012A
 GRID: NORTHING: 528907.528 EASTING: 1766929.809

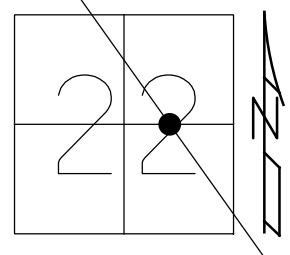
RECORD:
 FD P.K./WASHER
 6/4/01, BVD
 FD P.K. SHANK
 REFC41
 4/23/19
 8/16/19
 2/16/22, JFO
 SET MAG/WASHER
 REFC41
 7/25/22, DSA



O.D.O.T. DISTRICT 2 SURVEY OFFICE (USE ONLY)

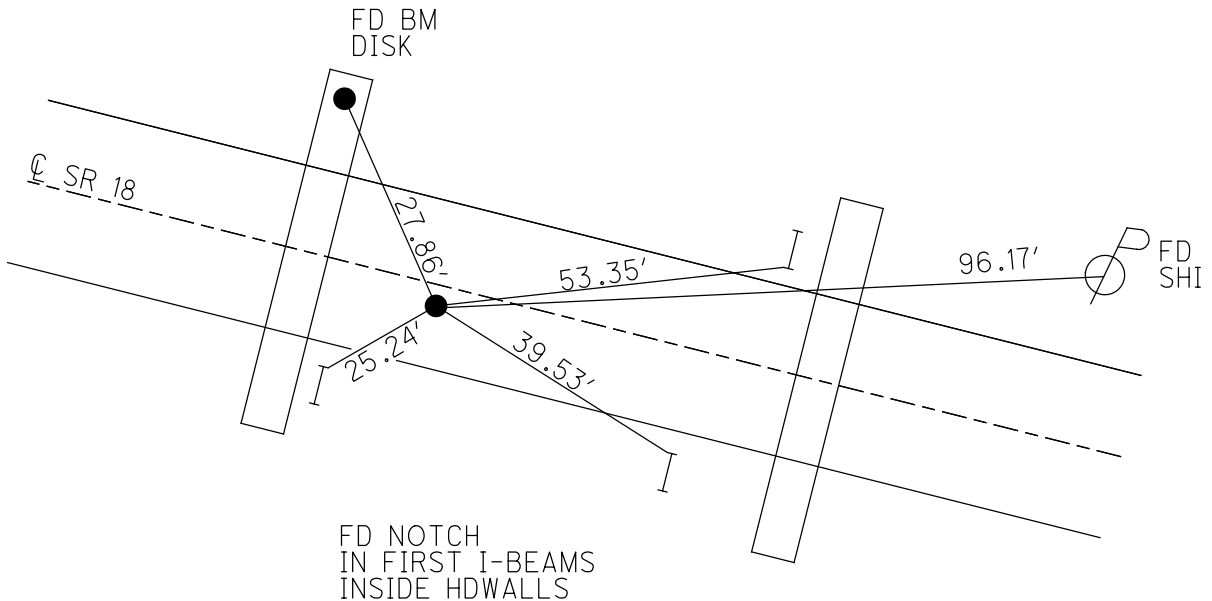
PERSONNEL _____ REFERENCE NO. 41 C SHEET 47 OF 48
 NOTES VAN DUSEN DATE 6/4/01 ROUTE SR 18
 H.C. ROUSOS WEATHER SUNNY COUNTY SENECA
 R.C. BROWN TEMP. 60° TOWNSHIP HOPEWELL
 DWG BY NIESE PID NO PID SECTION 22
 T 2 N R 14 E

TYPE MONUMENT P.K./WASHER
 ON SURFACE - ~~BELOW~~ ON
 OFFSET Q PAVEMENT 3.2' ~~RT~~ : RT
9.5' TO RT EDGE PAVEMENT
 STATION: 589+92



HORZ.DATUM: NAD83(2011) GEOID: 2012A
 GRID: NORTHING: 528907.528 EASTING: 1766929.809

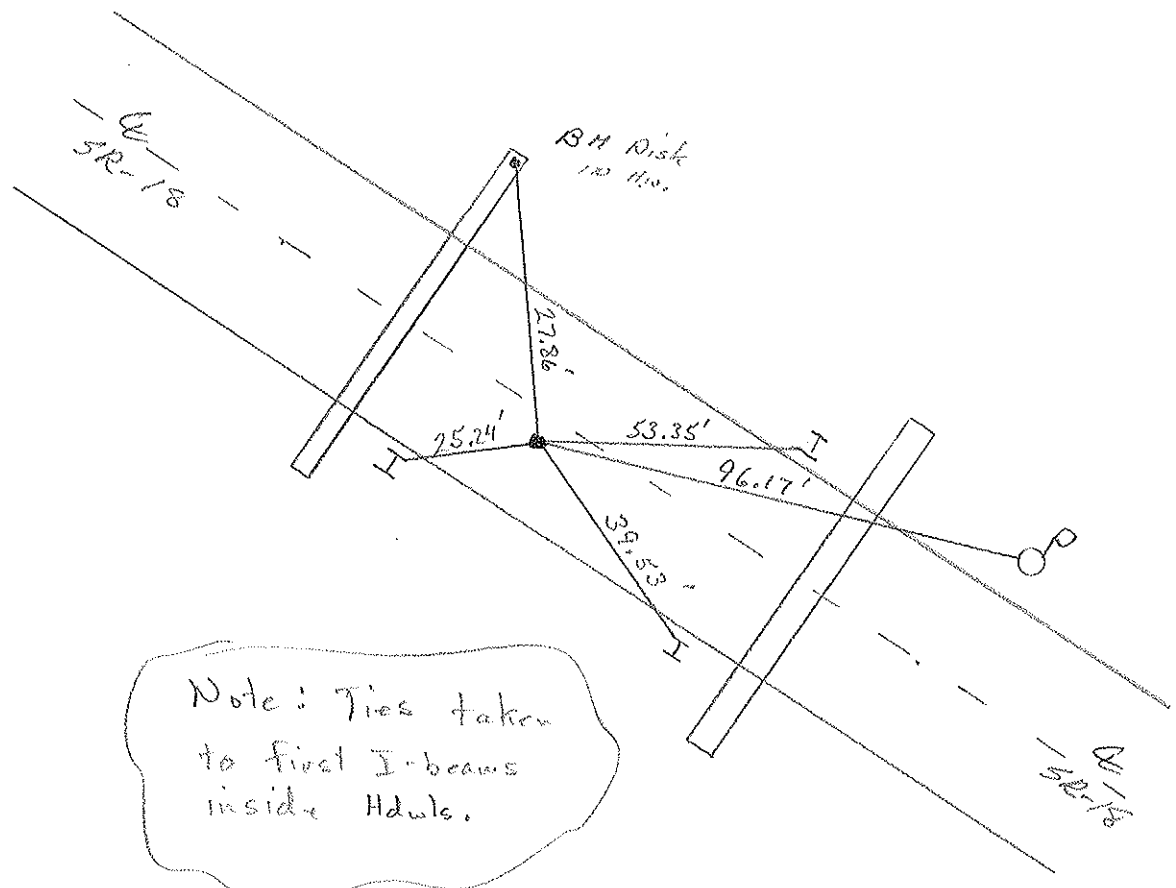
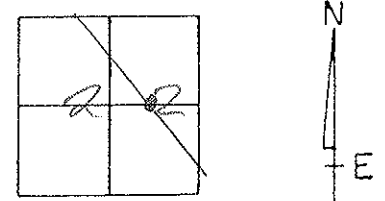
RECORD:
 FD P.K./WASHER
 6/4/01, BVD
 FD P.K.SHANK
 REFC41
 4/23/19
 8/16/19, JFO



O.D.O.T. DISTRICT 2 SURVEY OFFICE

PERSONNEL _____ REFERENCE NO. 41C SHEET 24 OF 26
 NOTES VanDusen
 H.C. Rousos DATE 6-4-01 ROUTE 18
 R.C. Brown WEATHER Sunny COUNTY Seneca
 _____ TEMP. 60° TOWNSHIP Hopewell
 _____ SECTION 22
 _____ T2 N R 14 E

TYPE MONUMENT PK/W
~~ON SURFACE - BELOW~~
~~NEAR - (E) PAV'T - RIGHT~~ 3.2'
9.5' TO S. EDGE PAVEMENT
 S.L.M. 598+92



Note: Ties taken
 to first I-beams
 inside Hdwls.

O.D.O.T. DISTRICT 2 SURVEY OFFICE

PERSONNEL

REFERENCE NO. 41 C

SHEET 25 OF 27

NOTES CHENEY

H.C. RIPPLE

DATE 10-9-1991

ROUTE 18

R.C. BARBOUR

WEATHER SUNNY

COUNTY SENECA

TEMP. 70°

TOWNSHIP HOPEWELL

SECTION 22

T2 NR 14 E

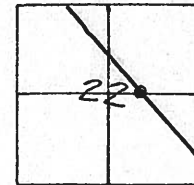
TYPE MONUMENT RE-SET PK/WASHER

ON SURFACE - ~~BELOW~~

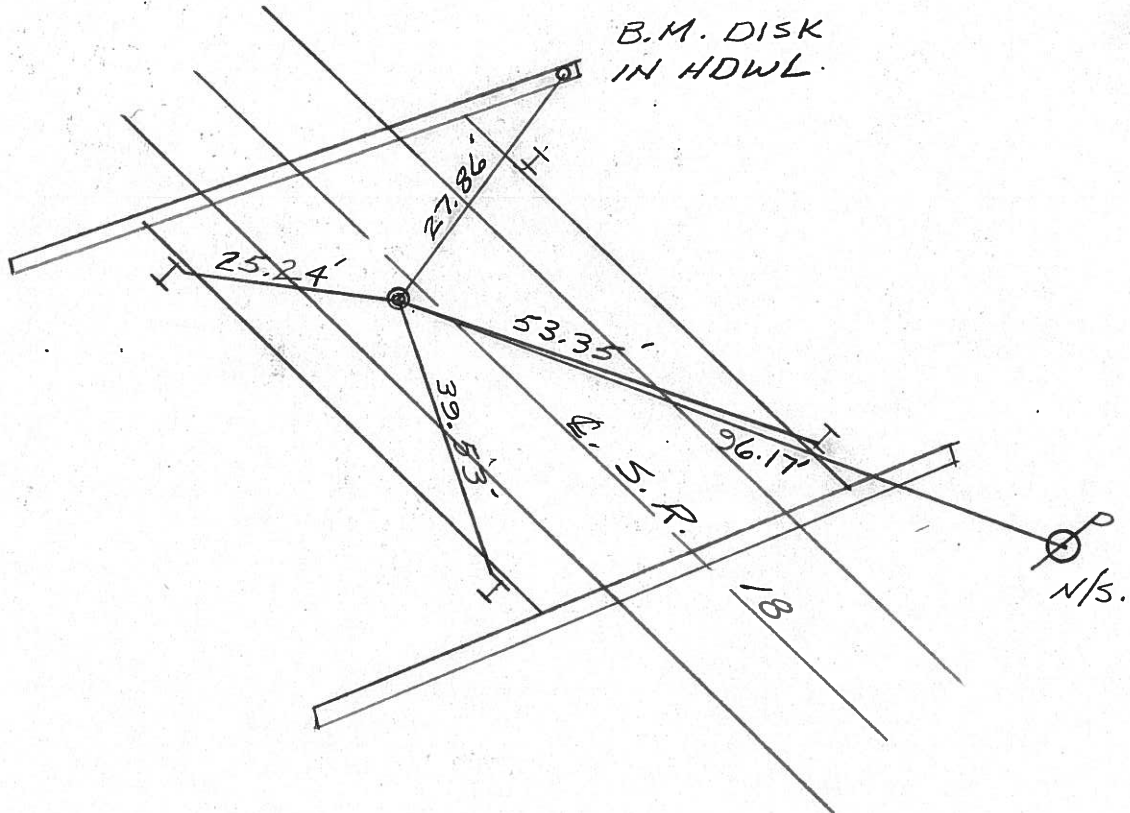
~~LEFT~~ - C PAV'T. - RIGHT 3.2'

9.5 STOSLY EDGE PAVEMENT

S.L.M. 11.36



STA. 599+81.58



NOTE: TIES TAKEN TO 1ST I-BEAM INSIDE HDWLS.