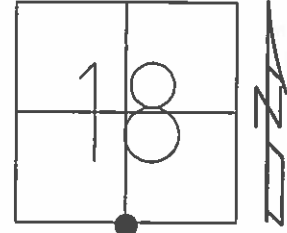


O.D.O.T. DISTRICT 2 SURVEY OFFICE (USE ONLY)

PERSONNEL _____ REFERENCE NO. 65 SHEET 7 OF 17
 NOTES RHOADES DATE 7-8-15 ROUTE SR 18
 H.C. O'DONNELL WEATHER SUNNY COUNTY SENECA
 R.C. HOMAN TEMP. 61°F TOWNSHIP SCPIO
 _____ SECTION 18
 _____ T 2 N R 16 E

TYPE MONUMENT PK SHANK
 ON SURFACE - ~~BELOW~~ _____ ON _____
 LEFT - ☉ PAV'T - ~~RIGHT~~ 1.0'
10' TO LT EDGE PAVEMENT
 S.L.M. 1083+43.65
 Grid: Northing: 531478.1269 Easting: 1813284.9349



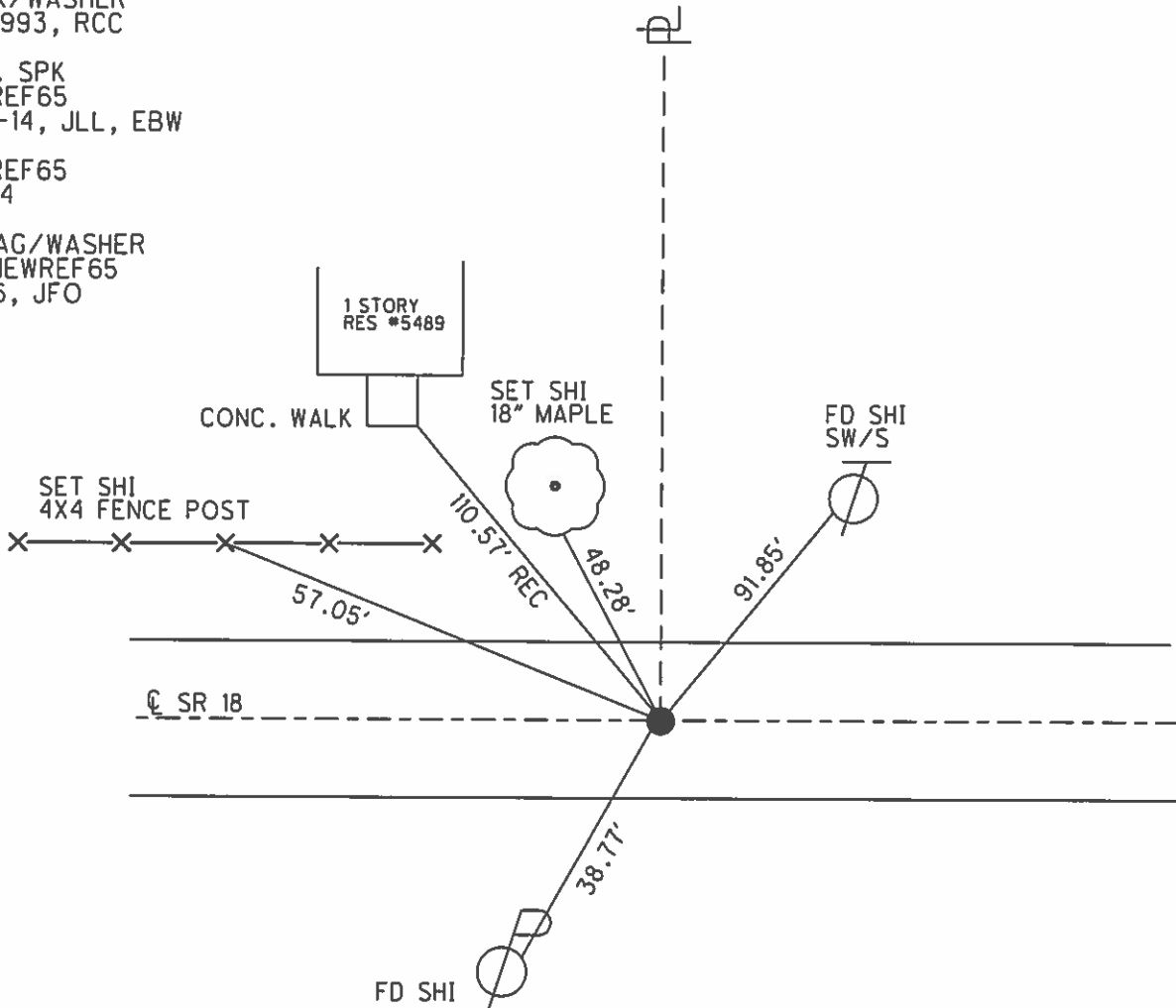
RECORD:
 P.I. $\Delta=0^{\circ}07'$ LT
 STA 268+84.38
 FD RR. SPK @ SURFACE
 6-14-1971

SET PK/WASHER
 8-26-1993, RCC

FD RR. SPK
 GPS, REF65
 05-06-14, JLL, EBW

GPS, REF65
 5-29-14

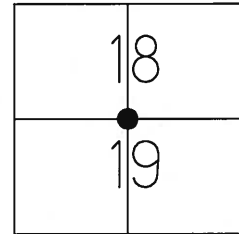
SET MAG/WASHER
 GPS, NEWREF65
 7-12-16, JFO



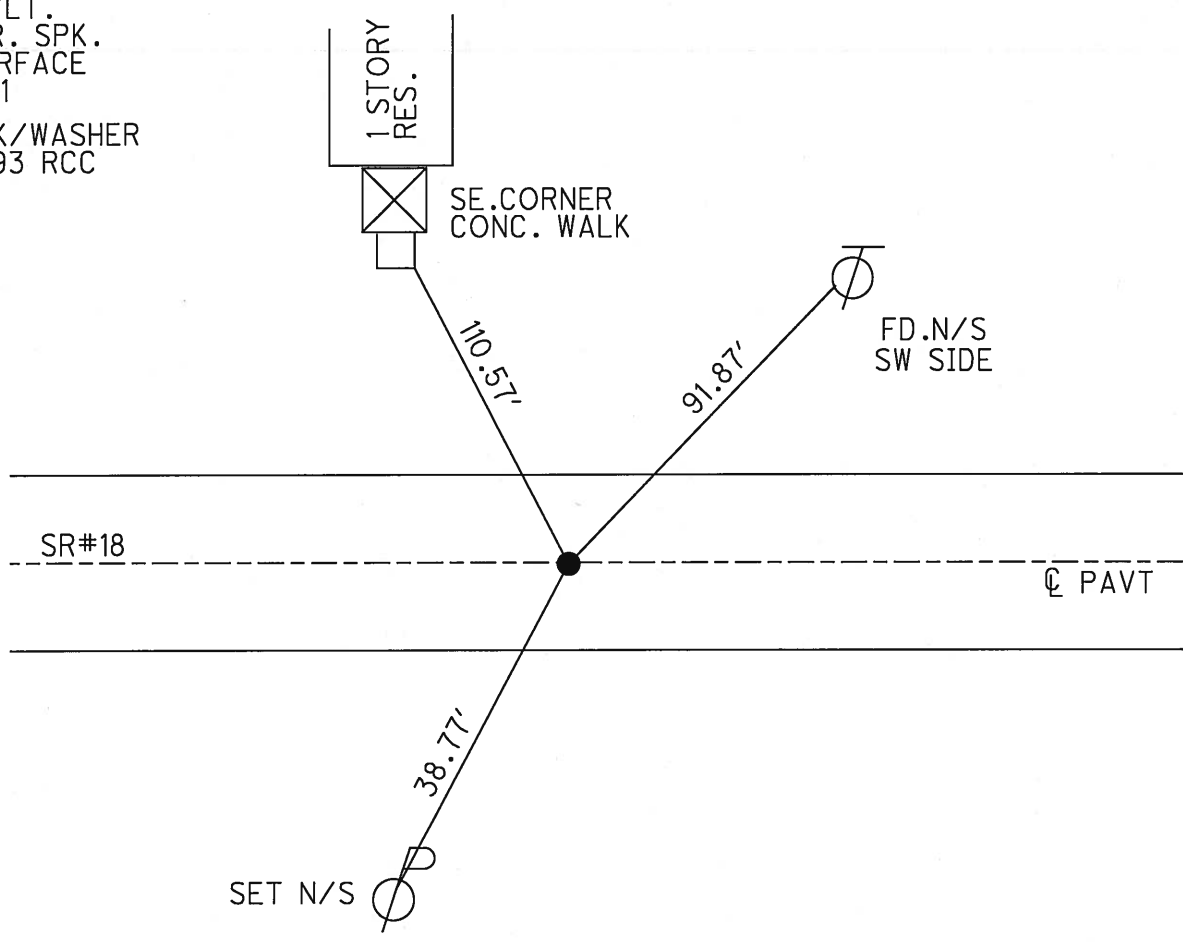
O.D.O.T. DISTRICT 2 SURVEY OFFICE (USE ONLY)

PERSONNEL _____ REFERENCE NO. 65 SHEET 1 OF 5
 NOTES HOMAN DATE 07-16-08 ROUTE SR#18
 H.C. HOMAN WEATHER SUNNY COUNTY SENECA
 R.C. ROUSOS TEMP. +80° TOWNSHIP SCIPIO
 _____ SECTION 18 & 19
 _____ T 2 N R 16 E

TYPE MONUMENT FD PK/WASHER
 ON SURFACE - ~~BELOW~~ ON SURFACE
 LEFT - ~~C PAV'T~~ - RIGHT 1.0' LT.
10' TO LT. EDGE PAVEMENT
 S.L.M. 1084+57.13 REF65
 Grid: Northing: 531478.24 Easting: 1813284.92



RECORD PI 268+84.38
 00°07' LT.
 FD. RR. SPK.
 ON SURFACE
 6-14-71
 SET PK/WASHER
 8-26-93 RCC



Redone Current Job 08-11-08 ^{REN}

O.D.O.T. DISTRICT 2 SURVEY OFFICE

PERSONNEL

REFERENCE NO. 65

SHEET 17 OF 24

NOTES CHENEY

H.C. RIPPLE

DATE 7-2-1993

ROUTE #18

R.C. BARBOUR

WEATHER CLOUDY

COUNTY SENECA

GEYMAN

TEMP. 80°

TOWNSHIP SCIPPIO

SECTION 18 & 19

T 2 N R 16 E

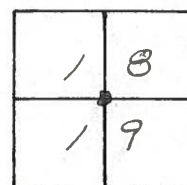
TYPE MONUMENT PK/WASHER

ON SURFACE - BELOW ON

LEFT - CL PAV'T. - RIGHT 1'

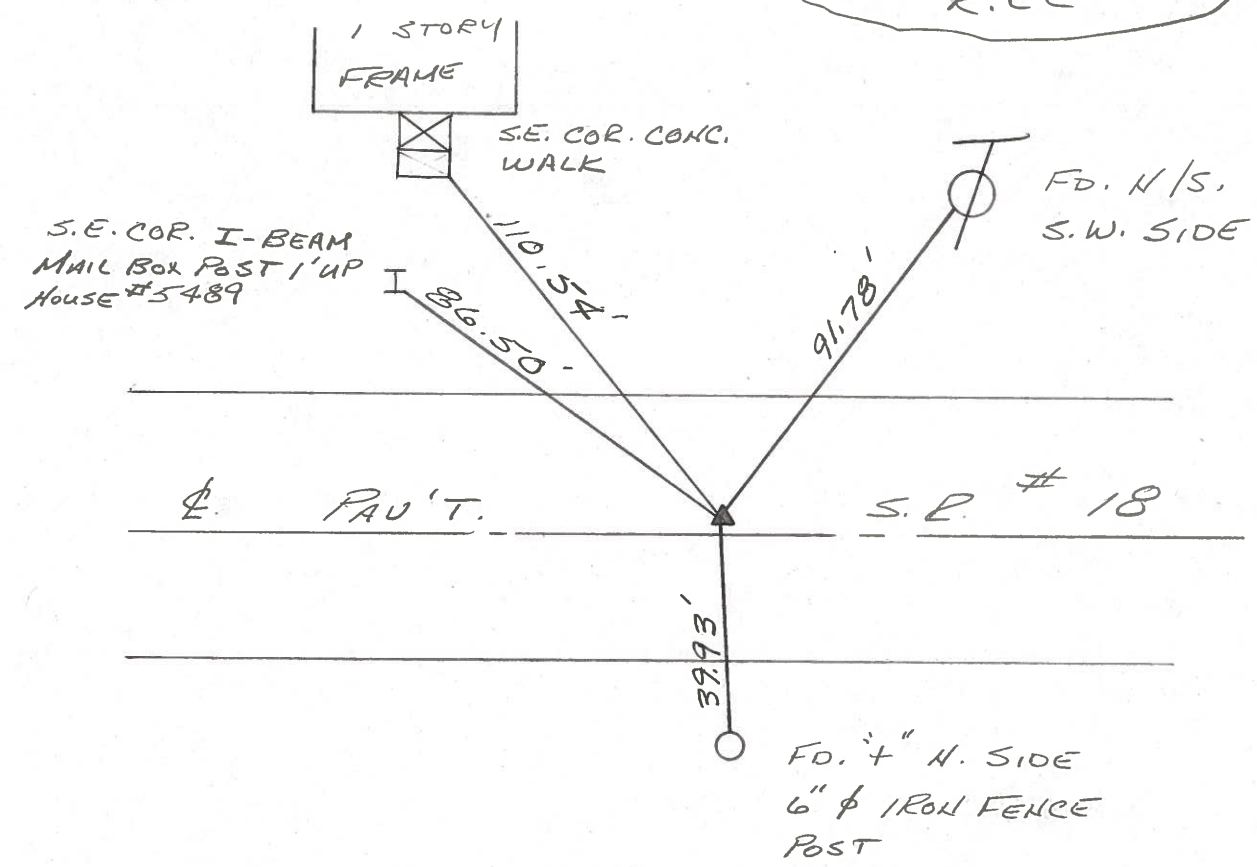
10' TO LT. EDGE PAVEMENT

S.L.M. 1083+33



RECORD: 6-14-1971
 P.I. STA. 268+84.38
 $\Delta = 00^{\circ}07'$ LT.
 FD. R.R. SPK. ON SURFACE

SET PK/WASHER
 8-26-1993
 R.C.C



PERSONNEL TITLE PERSONNEL TITLE

Ash

COUNTY Seneca

DATE 11/10/72

Croan

S. R. #18 (S.H. 449)

WEATHER overcast

Ripple

SEC. K

TEMP. 50°

Anderson

DESCRIPTION Ties for Control Points - Tiffin East Corp to Republic

JOB NO.

LEFT

CENTER LINE

RIGHT

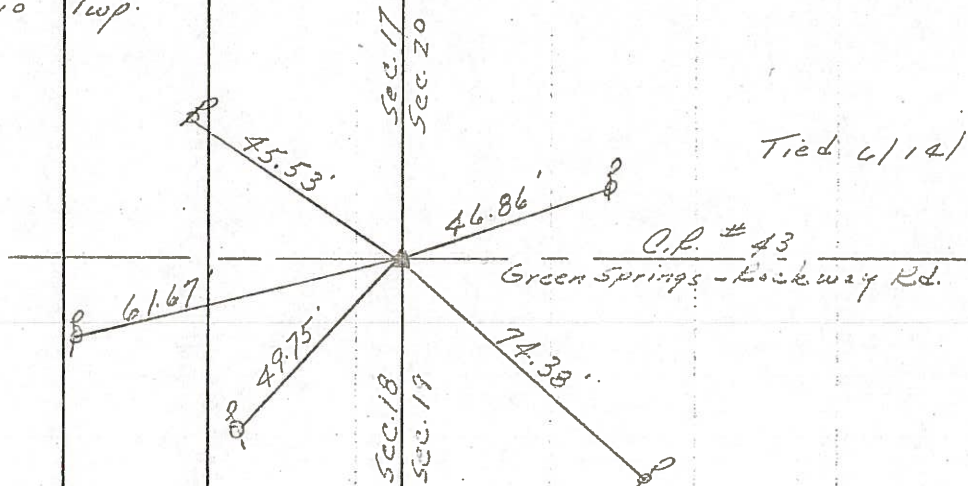


(66)

14

Scipio Twp.

$\Delta = 1^{\circ} 03' 14''$
P.I.
295+19.46
Fd. I. rod $3\frac{3}{4}''$
below surface
set small R.L. spike
at eye to the surface



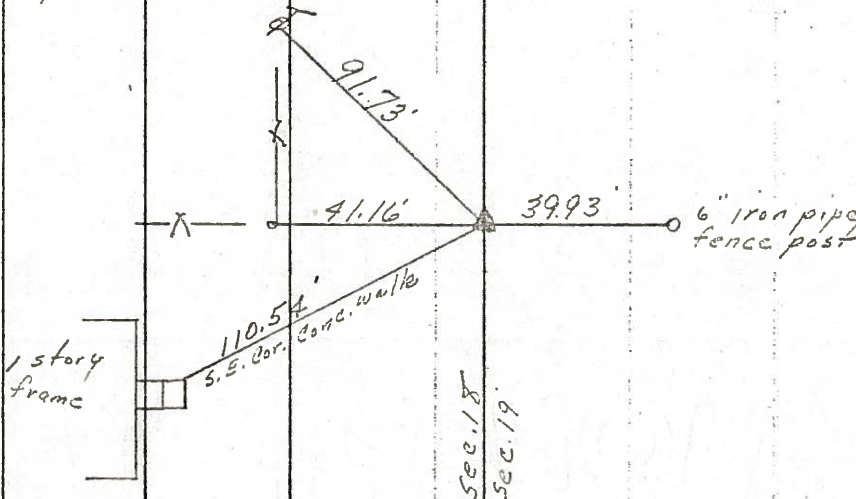
Tied 6/14/71

(65)

13

Scipio Twp.

$\Delta = 00^{\circ} 07' 14''$
P.I.
268+84.38
Fd. R.L. spike
on surface



Tied 6/14/71

PERSONNEL TITLE PERSONNEL TITLE

Ash
Cronin
Ripple
Anderson

COUNTY Seneca

DATE 11/10/72

S. R. #18 (S.H. 449)

WEATHER overcast

SEC. K

TEMP. 50°

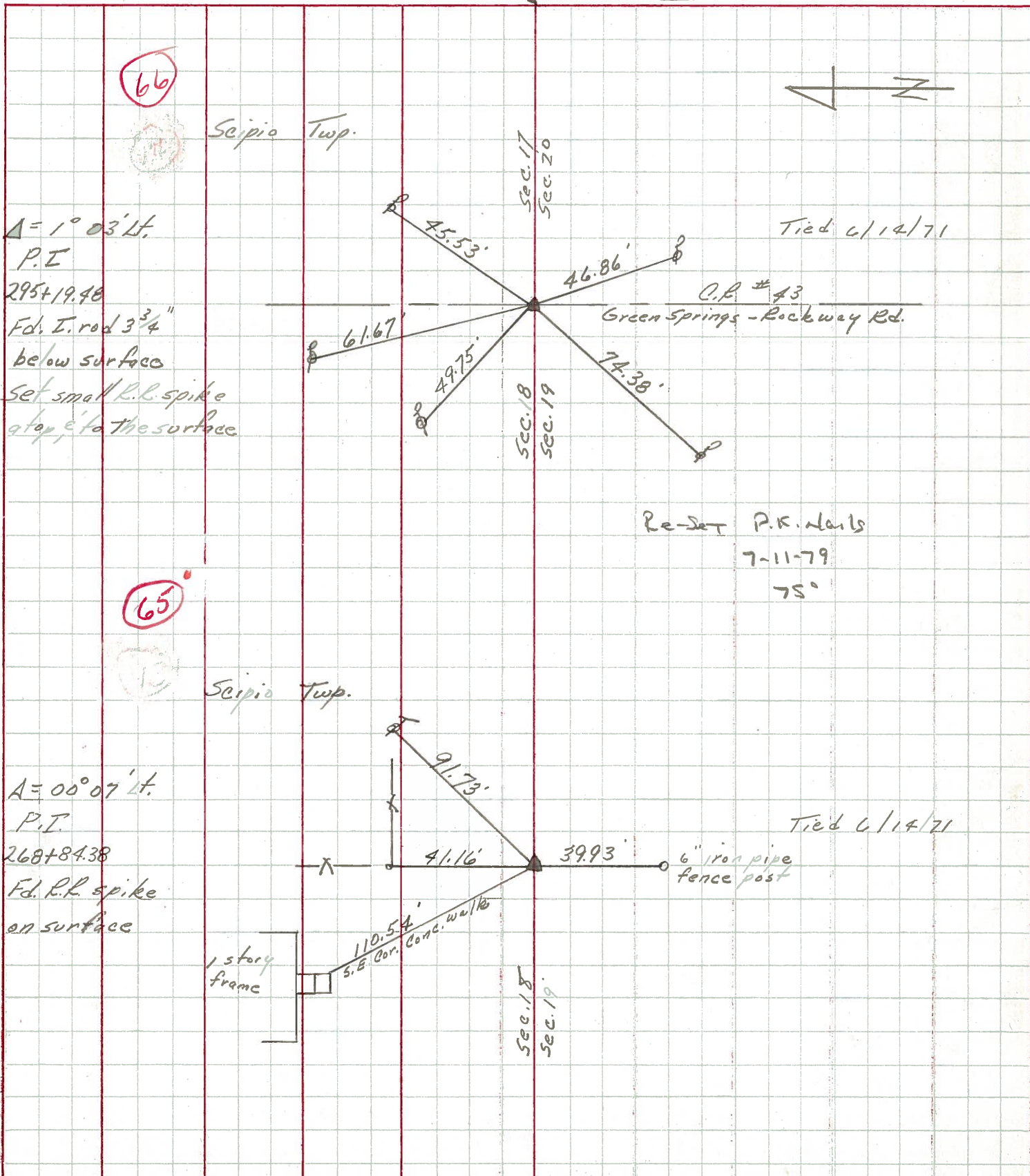
DESCRIPTION Ties for Control Points - Tiffin East Corp to Republic

JOB NO.

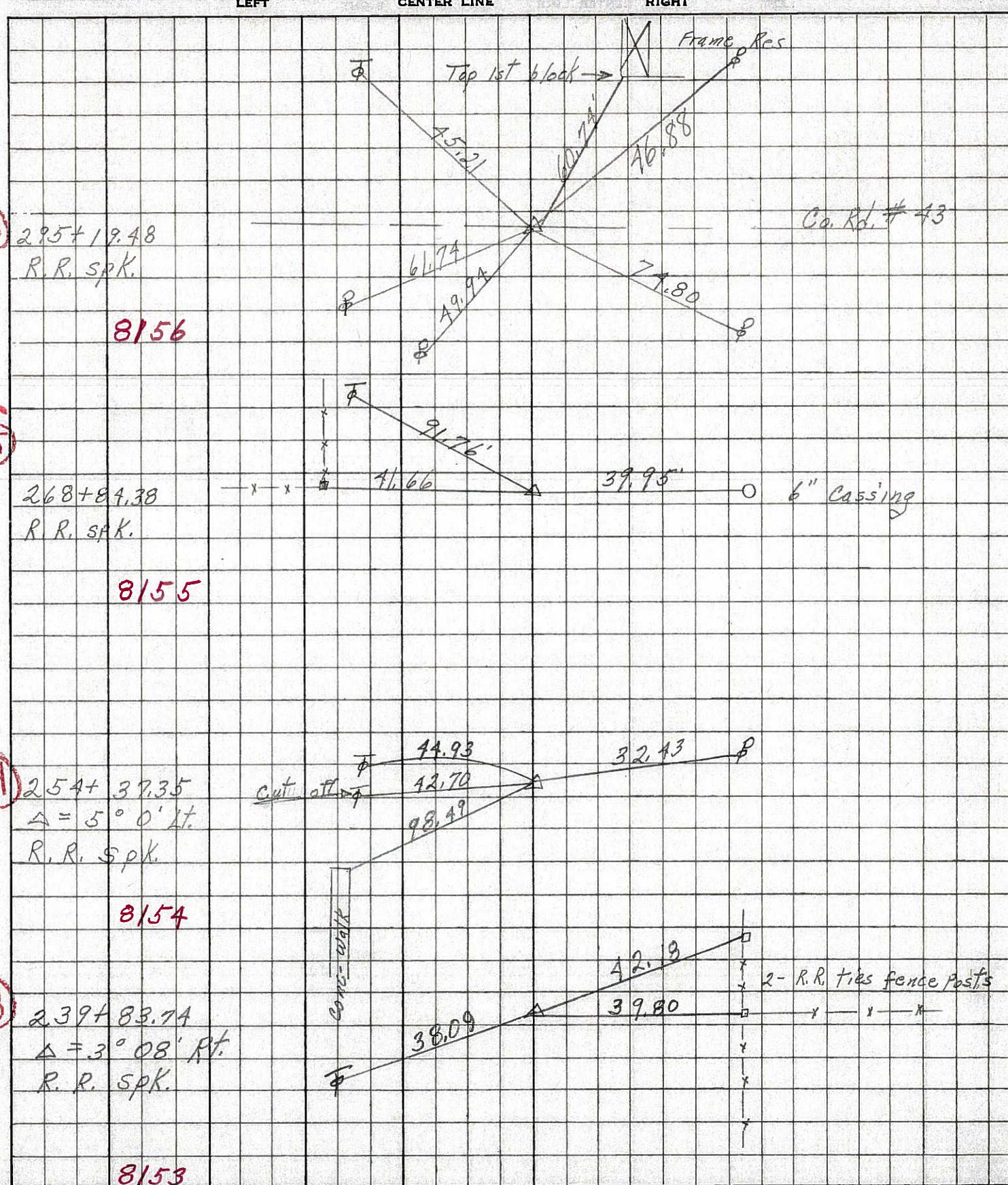
LEFT

CENTER LINE

RIGHT



PERSONNEL	TITLE	PERSONNEL	TITLE	COUNTY	Seneca	DATE	10-31-68
Schneider				S. R.	18	WEATHER	Fair
Barbour				SEC.	Tiffin to Republic	TEMP.	40°
Redding				DESCRIPTION	Ties for Control Points		JOB NO.
Potts							



PERSONNEL TITLE PERSONNEL TITLE

COUNTY Seneca

DATE 10-31-68
12-23-65

S. R. # 18

WEATHER

SEC. K

TEMP

DESCRIPTION Tiffin - Republic

JOB NO.

LEFT

CENTER LINE

RIGHT

(66)

sta. 295+19.48

45.21 N. E. Tel Pole

Found R.R. spk.

49.92 N. W. P. Pole

Co. Rd. #43 North ~~South~~

74.80 S. W. P. Pole

46.87 S. E. P. Pole

~~# 66~~

8156

(65)

sta. 268+84.38

⁹⁵
39.95 S. 6" Iron Pipe F. Post

Found R.R. spk.

41.40 N. End F. Post

~~# 65~~

81.14 N. W. T. Pole

91.73 N. E. T. Pole

⁷⁶

8155

(64)

sta. 254+37.35

^{32.43}
~~40.64~~ S. P. Pole

$\Delta = 50^{\circ} 0' Lt.$

⁹³
44.95 N. E. T. Pole

Found R.R. spk.

98.54 N. E. S. E. cor. conc. Wall

~~# 64~~

42.98 R.R. tie cor. post

8154

10-31-68

(63)

sta. 239+83.74

39.79 S. Anchor F. Post

$\Delta = 30^{\circ} 08' Rt.$

¹⁸
42.15 S. E. sq. fence post

Found R.R. spk.

38.08 N. T. Pole

⁰⁹

~~# 63~~

8153

PERSONNEL	TITLE	PERSONNEL	TITLE	COUNTY	DATE
MORRISON	EA, I-C			Seneca	3/15/49
HOLCOMBE	EA, I-C			S. R.	WEATHER Windy.
SWORDEN	EA, I-D			SEC.	TEMP. +28°
KRABILL	EA, I-C				
DESCRIPTION	Ref Ties Last 3 mi. S.R. #18			JOB NO.	

