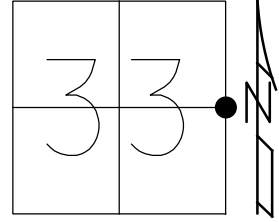


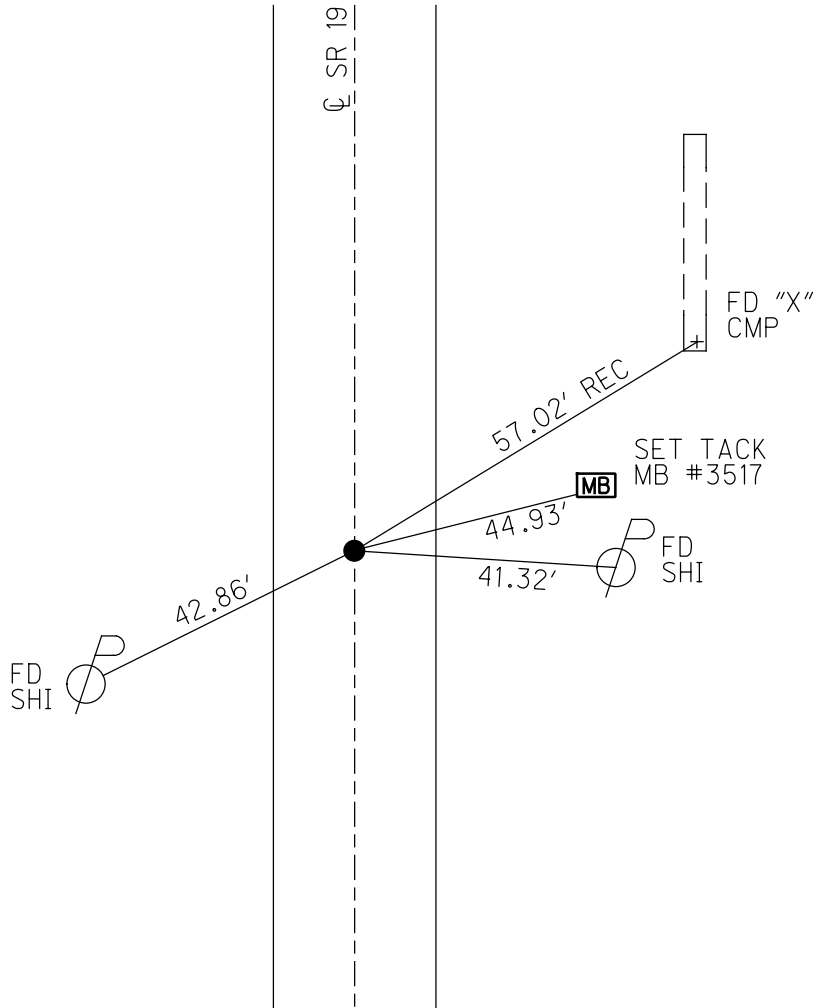
O.D.O.T. DISTRICT 2 SURVEY OFFICE (USE ONLY)

PERSONNEL _____ REFERENCE NO. 64 SHEET 14 OF 32
 NOTES RHOADES DATE 3/14/18 ROUTE SR 19
 H.C. O'DONNELL WEATHER CLOUDY COUNTY SENECA
 R.C. RHOADES TEMP. 26° TOWNSHIP ADAMS
 DWG BY MILLER PID 102817 SECTION 33
 T 3 N R 16 E

TYPE MONUMENT P.K./WASHER
~~ON SURFACE~~ - BELOW 4"
 OFFSET CL PAVEMENT ON ~~LT:RT~~
10.4' TO RT EDGE PAVEMENT
 STATION: 668+25.06
 HORZ.DATUM: NAD83(2011) GEOID: NAVD88 2012A
 GRID: NORTHING: 550506.842 EASTING: 1826857.040



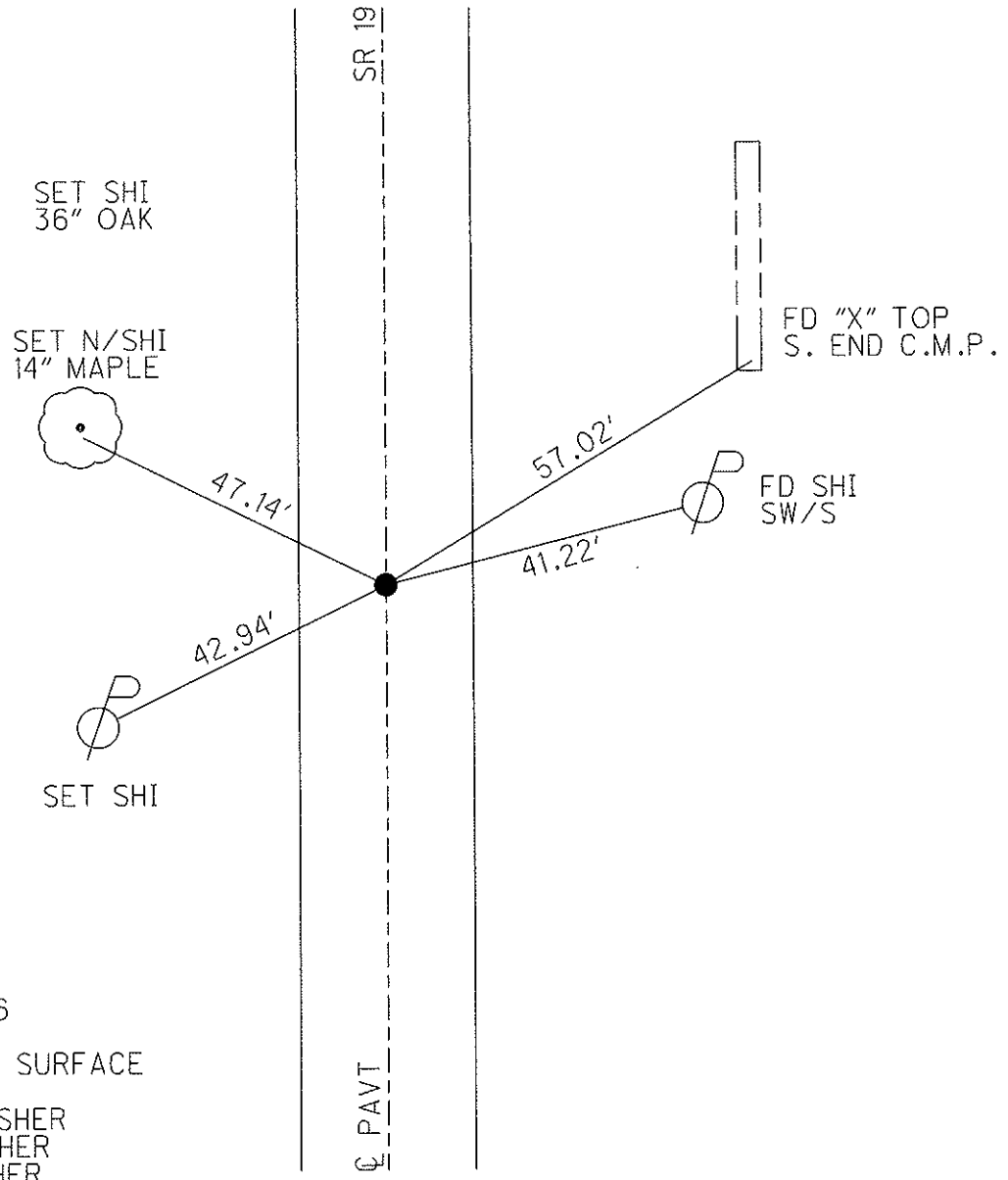
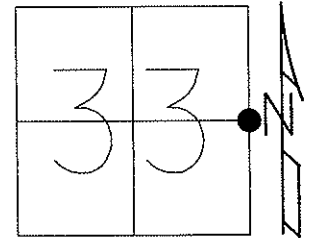
RECORD: PI.
 STA 189+14.66
 $\Delta = 00^{\circ}04' LT$
 STONE
 9 1/2± BELOW
 8-8-85
 SET P.K./WASHER
 7-21-94
 7-14-09, MB
 7-15-10
 FD P.K./WASHER
 4" DOWN
 REF64
 10-26-16, JFO
 SET MAG/WASHER
 10-3-18, JFO



O.D.O.T. DISTRICT 2 SURVEY OFFICE (USE ONLY)

PERSONNEL	REFERENCE NO. <u>64</u>	SHEET <u>10</u> OF <u>24</u>
NOTES <u>MOSER</u>	DATE <u>07-14-09</u>	ROUTE <u>SR 19</u>
H.C. <u>BARNHISEL</u>	WEATHER <u>HOT</u>	COUNTY <u>SENECA</u>
R.C. <u>MOSER</u>	TEMP. <u>80°</u>	TOWNSHIP <u>ADAMS</u>
		SECTION <u>33</u>
		T <u>3</u> N R <u>16</u> E

TYPE MONUMENT _____ PK/WASHER _____
 ON SURFACE - BELOW _____ ON _____
 LEFT - ☉ PAV'T - RIGHT _____ ON _____
10.4' TO RT EDGE PAVEMENT
 S.L.M. _____ 668+07
 Grid: Northing: _____ Easting: _____



REC PI STA 189+14.66
 $\Delta=00^{\circ}04'$ LT
 STONE $9\frac{1}{2}$ \pm BELOW SURFACE
 08-08-85
 07-21-94 SET PK/WASHER
 07-14-09 FD PK/WASHER
 07-15-10 FD PK/WASHER

O.D.O.T. DISTRICT 2 SURVEY OFFICE

PERSONNEL _____

REFERENCE NO. 64

SHEET 22 OF 26

NOTES LOEHRKE

H.C. CANTERBURY

R.C. Hermiller

DATE 10-18-94

WEATHER Hot

TEMP. +89

ROUTE S.R. 19

COUNTY Seneca

TOWNSHIP ADAMS

SECTION 33

T 3 N R 16 E

TYPE MONUMENT P.K./WASHER

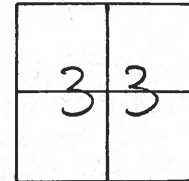
ON SURFACE - BELOW 2"

LEFT - Q PAV'T. - RIGHT Yes

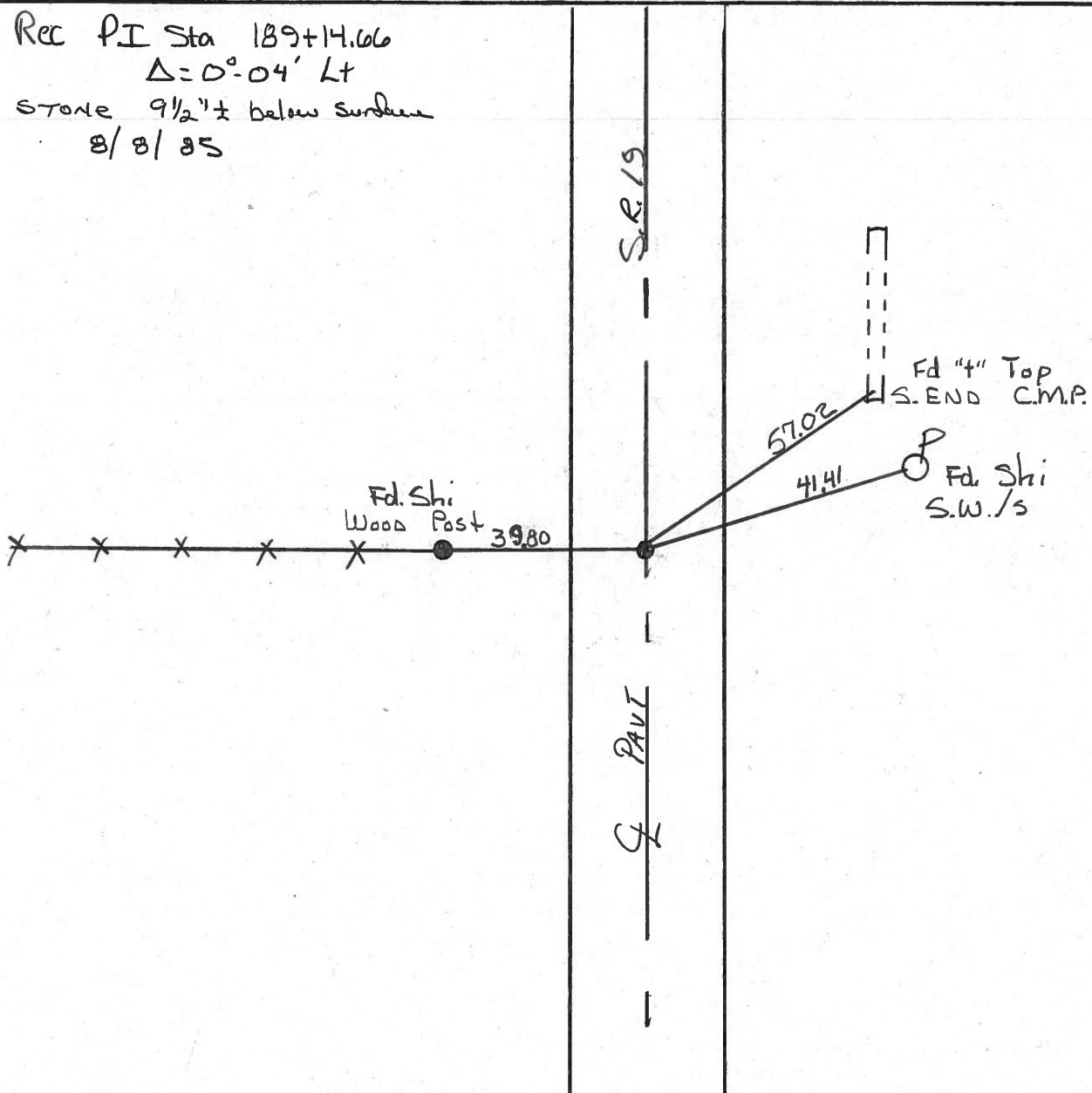
10.4 TO Rt EDGE PAVEMENT

S.L.M. 1668+07

Set P.K./washer
7-21-94 M.C.



Rec P.I. Sta 189+14.66
 $\Delta = 0^{\circ} - 04' Lt$
 Stone $9\frac{1}{2}'' \pm$ below surface
 8/8/85



O.D.O.T. DISTRICT 2 SURVEY OFFICE

22

PERSONNEL

REFERENCE NO. 64

SHEET ___ OF ___

NOTES CRONIN

H.C. RIPPLE

R.C. BARBOUR

GEYMAN

DATE 8/8/85

WEATHER SUNNY

TEMP. 80°

ROUTE 19

COUNTY SENECA

TOWNSHIP ADAMS

SECTION 33

T 3 N R 16 E

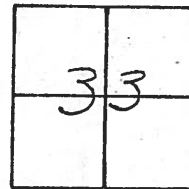
TYPE MONUMENT P.K. WASHER ATOP P.K. WASHER

ON SURFACE - BELOW ATOP R.R. SPK ATOP STONE

LEFT - PAV'T. - RIGHT E PAVMT

TO EDGE PAVEMENT

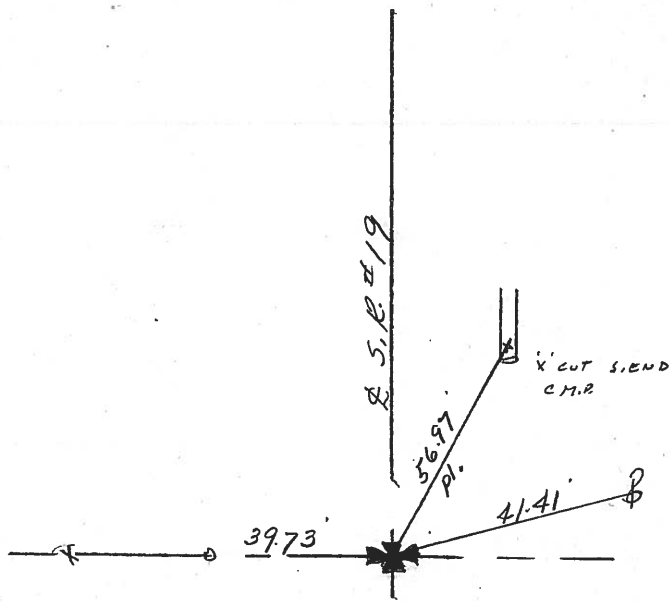
S.L.M. _____



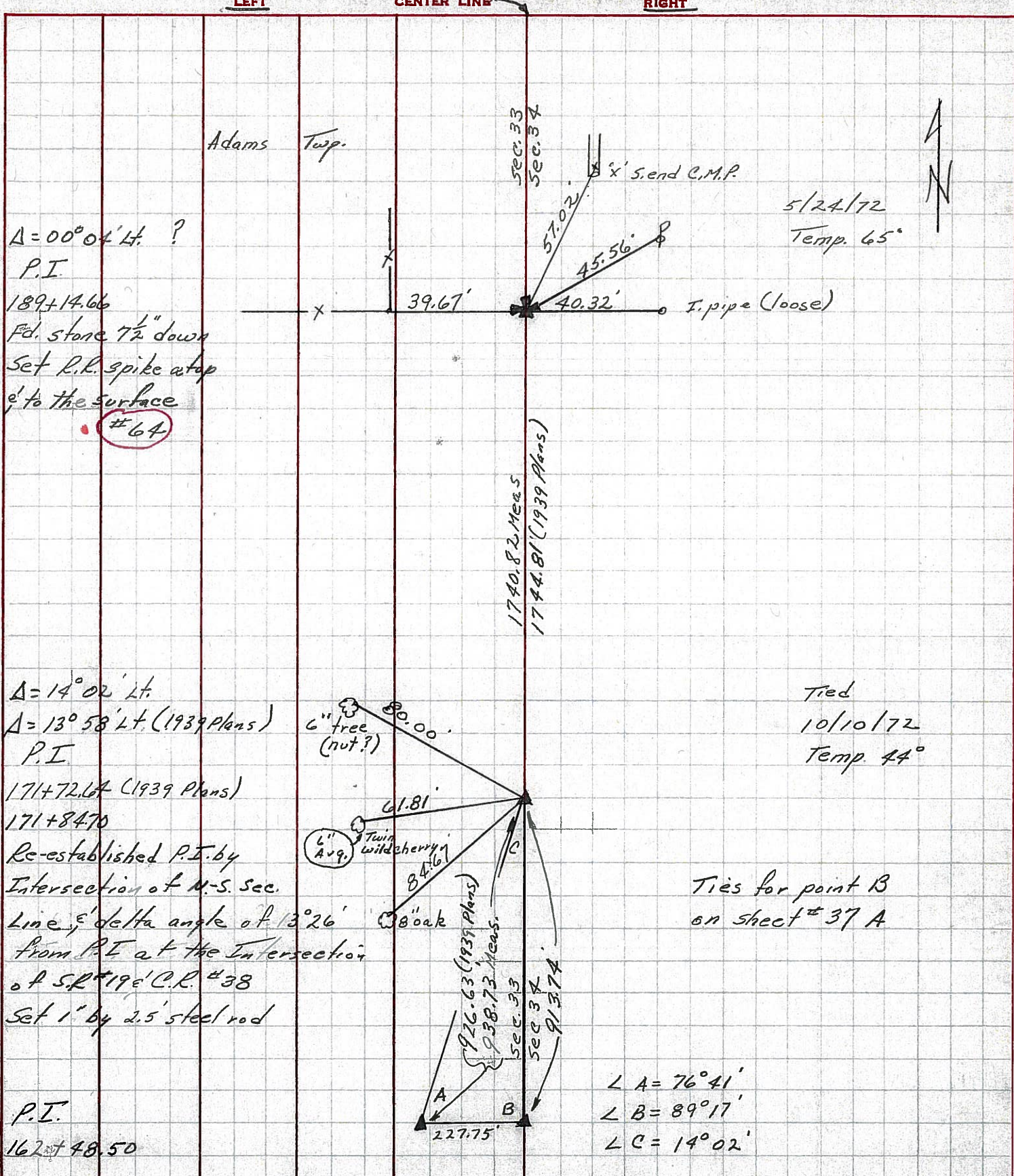
$\Delta = 00^{\circ}04'41.9''$ P.E

189 + 14.66

Stone $9\frac{1}{2}''$ BELOW SURFACE



PERSONNEL TITLE PERSONNEL TITLE COUNTY Seneca DATE Drawn 6/21/72
Ash _____ Cronin _____ S. R. # 19 WEATHER _____
Ripple _____ Anderson _____ Vinson SEC. I TEMP _____
 DESCRIPTION Ties for Control Points - Republic North JOB NO. _____



(63)

PERSONNEL TITLE PERSONNEL TITLE

Schneider

COUNTY

Seneca

DATE

7-30-69

Mosser

S. R.

19

WEATHER

Hot

Barbour
Potts

SEC.

Republic-North

TEMP.

85°

DESCRIPTION

Ties for Control Points

JOB NO.

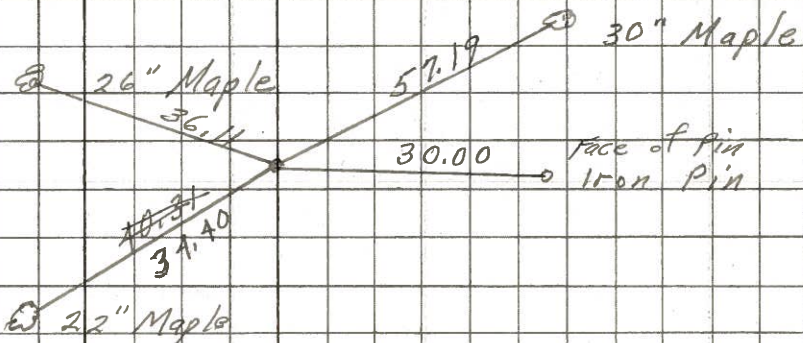
LEFT

CENTER LINE

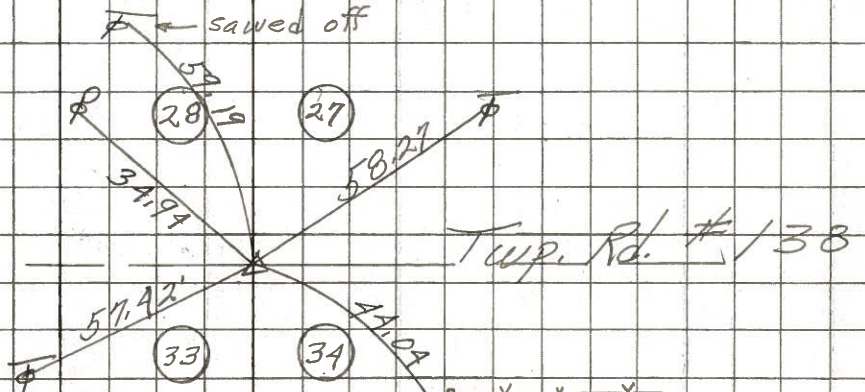
RIGHT

8274

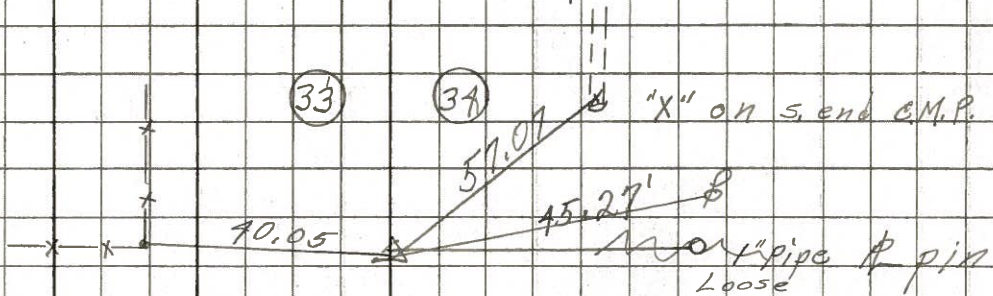
did not find



8273



8272



8271

189+14.66
Δ = 0° 09' Lt.
R.R. spk. 3" down

(66)

(65)

(64)