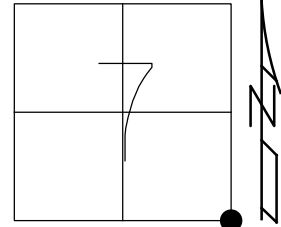


O.D.O.T. DISTRICT 2 SURVEY OFFICE (USE ONLY)

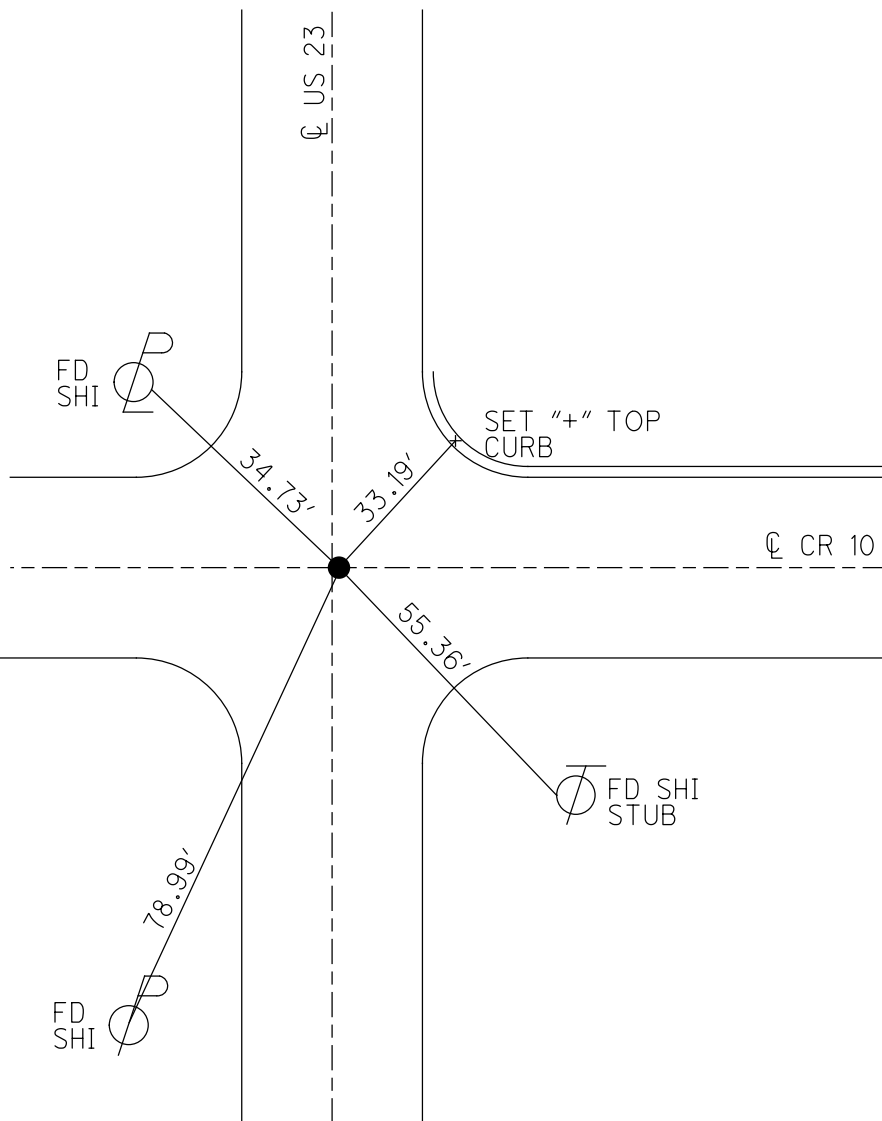
PERSONNEL _____ REFERENCE NO. 14 SHEET 15 OF 22
 NOTES O'DONNELL DATE 5/11/21 ROUTE US 23
 H.C. AUBLE WEATHER WINDY COUNTY SENECA
 R.C. NIESE TEMP. 50° TOWNSHIP BIG SPRING
 DWG BY RHOADES PID 109586 SECTION 7
 T 1 N R 13 E

TYPE MONUMENT P.K.NAIL
 ON SURFACE - ~~BELOW~~ ON _____
 OFFSET \perp PAVEMENT 0.3' ~~ET~~ : RT
 - TO - EDGE PAVEMENT 0.5' N. OF \perp CR 10
 STATION: 237+04.79



HORZ.DATUM: NAD83 2011 GEOID: NAVD88 2012A
 GRID: NORTHING: 505342.151 EASTING: 1719849.388

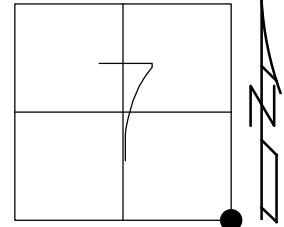
RECORD: P.I.
 STA. 237+04.79
 $\Delta = 0^\circ 54' \text{ LT}$
 FD R.R.SPIKE
 1955
 FD SM.R.R.SPIKE
 7/21/89, CL
 SET P.K./WASHER
 10/31/89, SWH
 FD P.K./WASHER
 9/01/09
 FD P.K. NAIL
 REF14
 4/15/19
 8/16/19
 5/11/21, JFO
 SET MAG/WASHER
 12/13/21, DSA
 FD MAG/WASHER
 CKREF14
 4/14/23, JAM



O.D.O.T. DISTRICT 2 SURVEY OFFICE (USE ONLY)

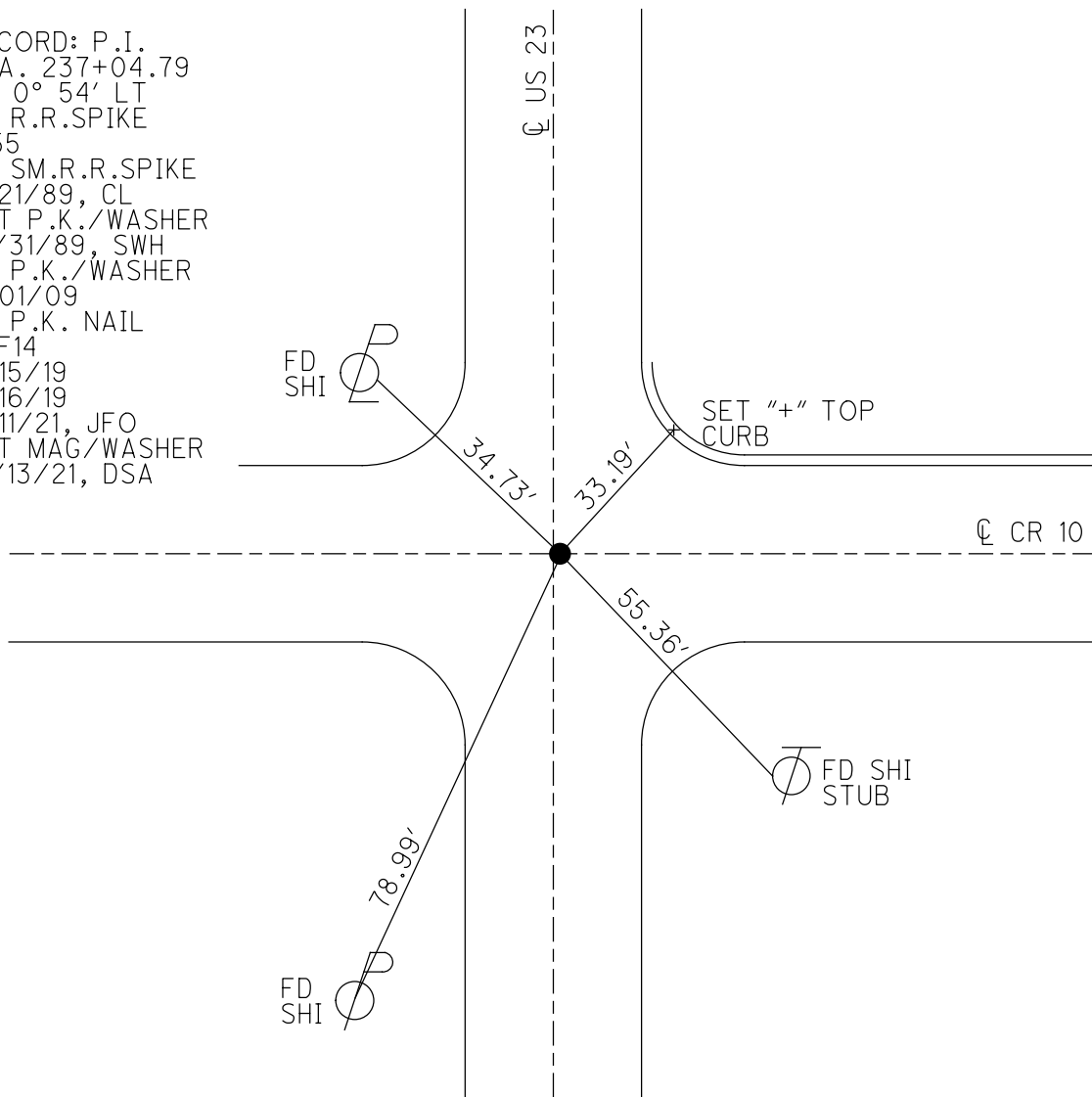
PERSONNEL _____ REFERENCE NO. 14 SHEET 15 OF 22
 NOTES O'DONNELL DATE 5/11/21 ROUTE US 23
 H.C. AUBLE WEATHER WINDY COUNTY SENECA
 R.C. NIESE TEMP. 50° TOWNSHIP BIG SPRING
 DWG BY RHOADES PID 85264 SECTION 7
 T 1 N R 13 E

TYPE MONUMENT P.K.NAIL
 ON SURFACE - ~~BELOW~~ ON
 OFFSET C PAVEMENT 0.3' ~~RT~~ : RT
- TO - EDGE PAVEMENT 0.5' N. OF C CR 10
 STATION: 237+04.79



HORZ. DATUM: NAD83 2011 GEOID: NAVD88 2012A
 GRID: NORTHING: 505342.134 EASTING: 1719849.447

RECORD: P.I.
 STA. 237+04.79
 $\Delta = 0^\circ 54' \text{ LT}$
 FD R.R.SPIKE
 1955
 FD SM.R.R.SPIKE
 7/21/89, CL
 SET P.K./WASHER
 10/31/89, SWH
 FD P.K./WASHER
 9/01/09
 FD P.K. NAIL
 REF14
 4/15/19
 8/16/19
 5/11/21, JFO
 SET MAG/WASHER
 12/13/21, DSA



O.D.O.T. DISTRICT 2 SURVEY OFFICE (USE ONLY)

PERSONNEL

REFERENCE NO. 14

SHEET 15 OF 22

NOTES LOEHRKE

DATE 7/21/89

ROUTE US 23

H.C. HOFFMAN

WEATHER HAZY

COUNTY SENECA

R.C. BARNHISEL

TEMP. 78°

TOWNSHIP BIG SPRING

SECTION 7

DWG BY NASON

PID PT-SEN19

T 1 N R 13 E

TYPE MONUMENT SM. R.R. SPIKE

ON SURFACE - ~~BELOW~~ ON

OFFSET C PAVEMENT 0.3' ~~RT~~ : RT

- TO - EDGE PAVEMENT 0.5' N. OF C CR 10

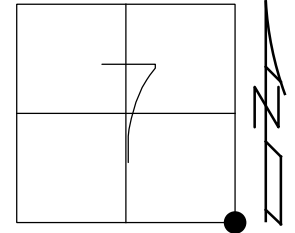
STATION: 237+04.79

HORIZ.DATUM: NAD83 (2011)

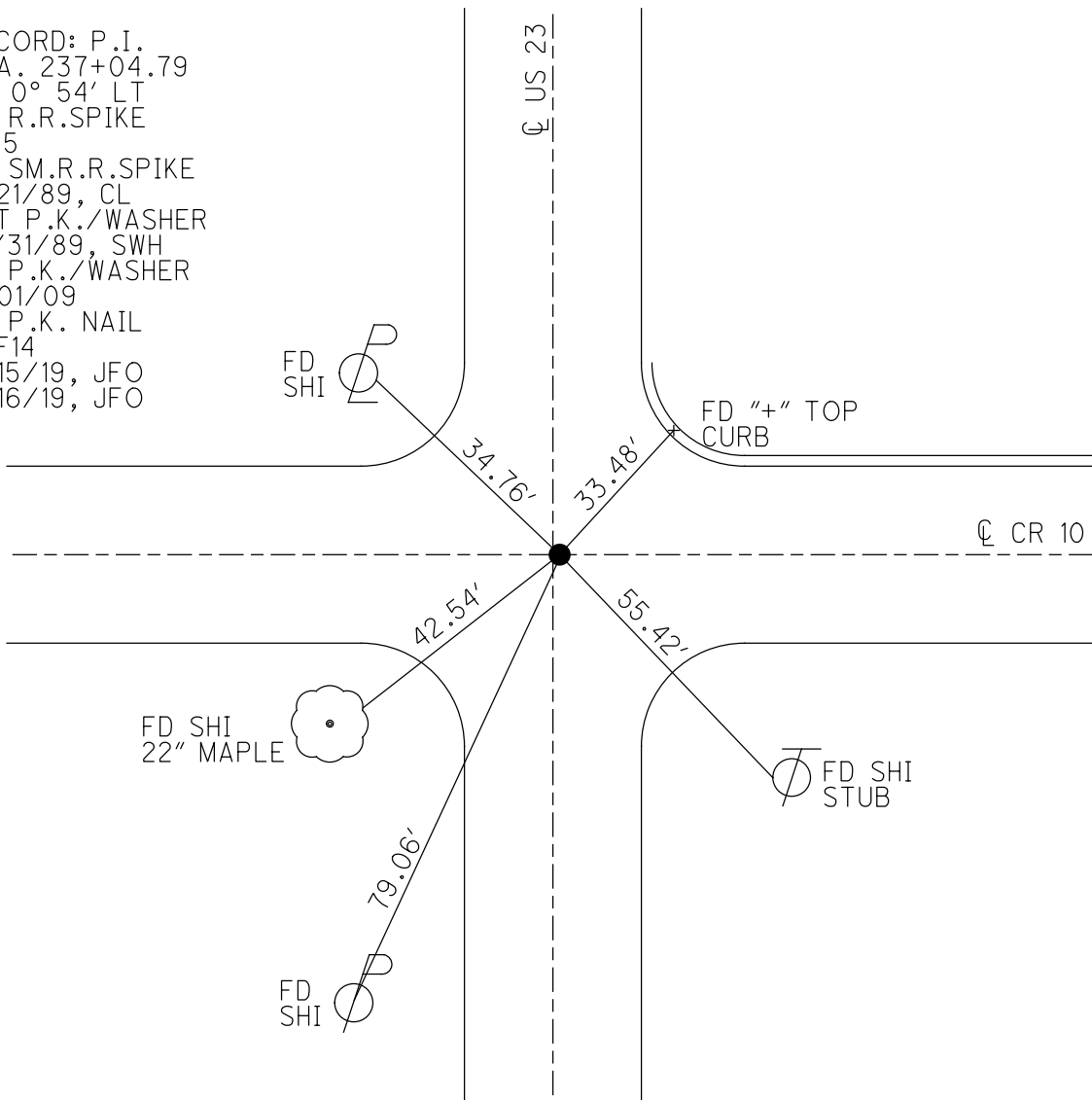
GEOID: 2012A

GRID: NORTHING: 505342.134

EASTING: 1719849.447



RECORD: P.I.
 STA. 237+04.79
 $\Delta = 0^\circ 54' \text{ LT}$
 FD R.R.SPIKE
 1955
 FD SM.R.R.SPIKE
 7/21/89, CL
 SET P.K./WASHER
 10/31/89, SWH
 FD P.K./WASHER
 9/01/09
 FD P.K. NAIL
 REF14
 4/15/19, JFO
 8/16/19, JFO



O.D.O.T. DISTRICT 2 SURVEY OFFICE (USE ONLY)

PERSONNEL _____ REFERENCE NO. 14 SHEET 15 OF 22
 NOTES LOEHRKE DATE 07-21-89 ROUTE US 23
 H.C. HOFFMAN WEATHER HAZY COUNTY SENECA
 R.C. BARNHISEL TEMP. +78 TOWNSHIP BIG SPRING
 _____ SECTION 7
 _____ T 1 N R 13 E

TYPE MONUMENT SM. R.R. SPIKE

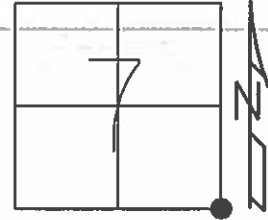
ON SURFACE - ~~BELOW~~ ON SURFACE

~~LEFT~~ - ℄ PAV'T - RIGHT 0.3', 0.5' N. OF ℄ C.R. 10

_____ TO _____ EDGE PAVEMENT

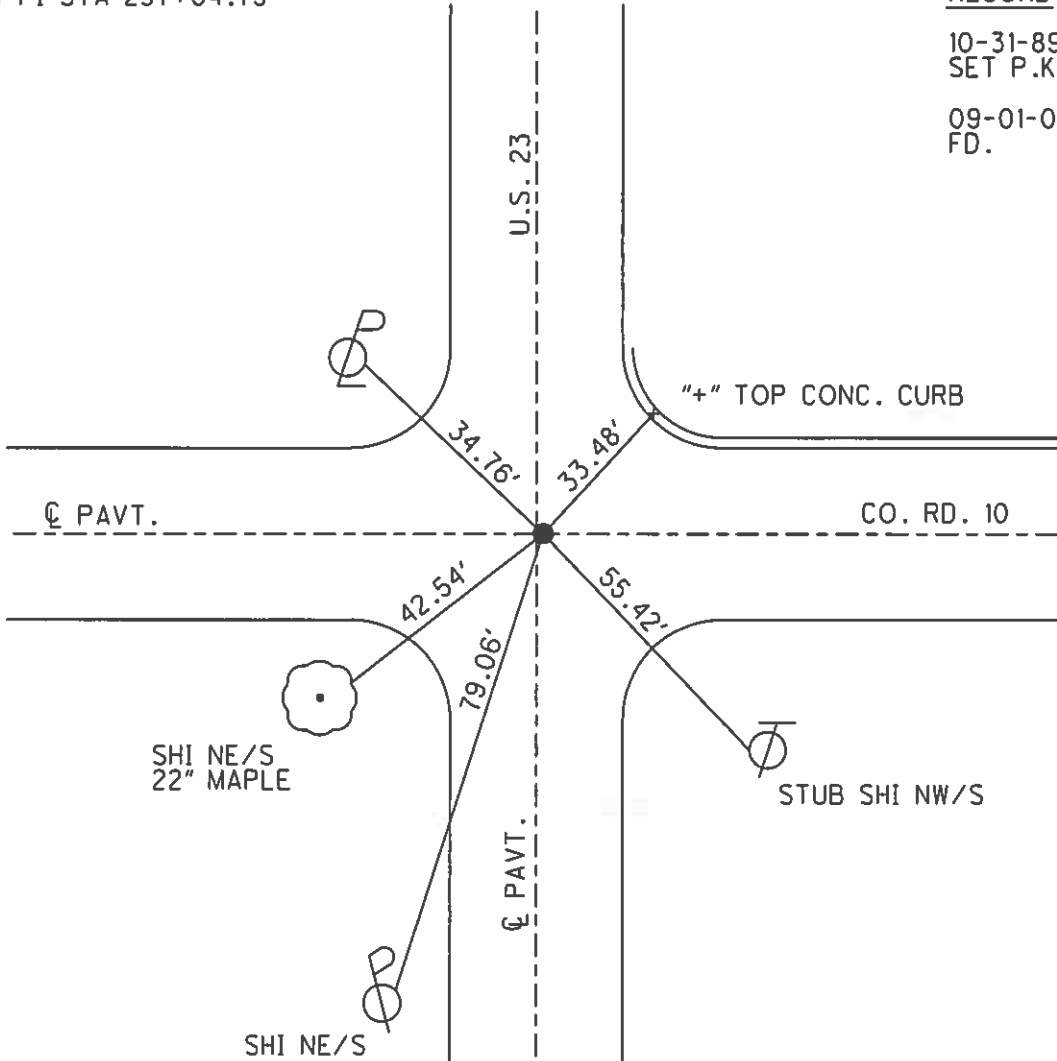
S.L.M. 235+18

GRID: NORTHING: _____ EASTING: _____



REC-PI STA 237+04.79

RECORD
 10-31-89 SWH
 SET P.K./WASHER
 09-01-09
 FD.



O.D.O.T. DISTRICT 2 SURVEY OFFICE

PERSONNEL _____

REFERENCE NO. 14

SHEET _____ OF _____

NOTES LOHRKE

H.C. Hoffman

R.C. BARNHISEL

DATE 7-21-89

WEATHER HAZY

TEMP. +78

ROUTE U.S. 23

COUNTY SENECA

TOWNSHIP Big SPRING

SECTION 7

T _____ R _____

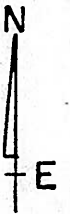
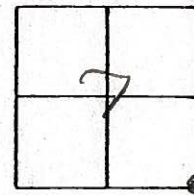
TYPE MONUMENT Sm. P.R. Spike Set P.R./WASHER

ON SURFACE - ~~BELOW~~ yes 10-31-89 SWK

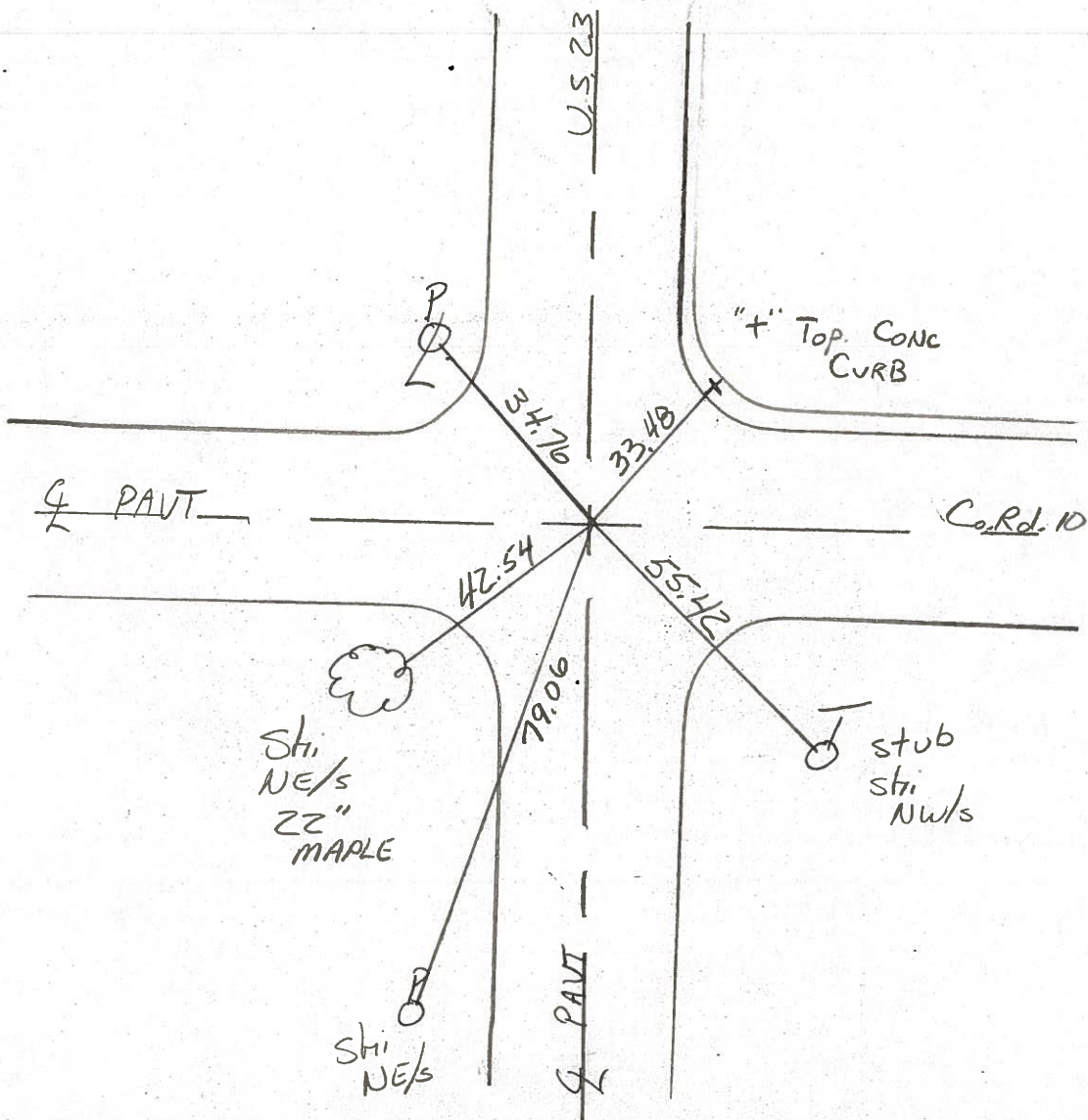
LEFT - ~~C~~ PAV'T. - RIGHT 0.3' 0.5' N. Q

TO EDGE PAVEMENT C.R. 10

S.L.M. 235 +18



REC. P.I. Sta 237+04.79



O.D.O.T. DISTRICT 2 SURVEY OFFICE

SHEET OF

County Seneca S.R. -U.S.23

Township Big Spring

Section 7

T N, R E

Personnel HOFFMAN

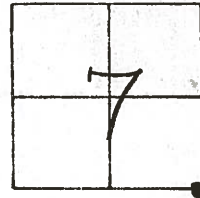
Householder

14

Date 6-22-81

Weather Partly Cloudy

Temp. +77°



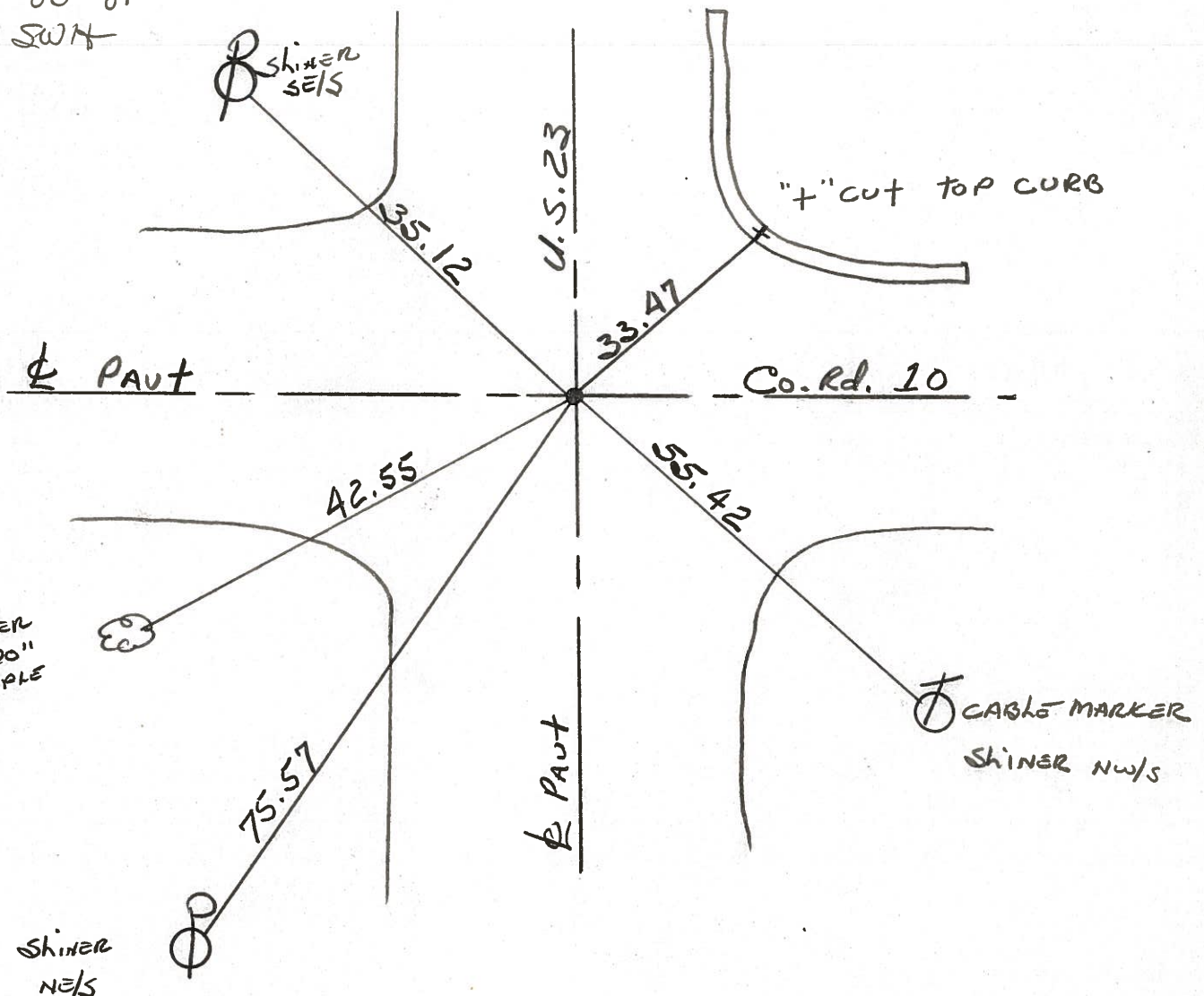
Fd. P. K. NAIL/WASHER @ SURFACE
@ ctr. of PAUT.

PROJECT STA ± 234+36

SET SMALL R.R. SRK.

9-30-81

SWM



SHINER
E/S 20"
MAPLE

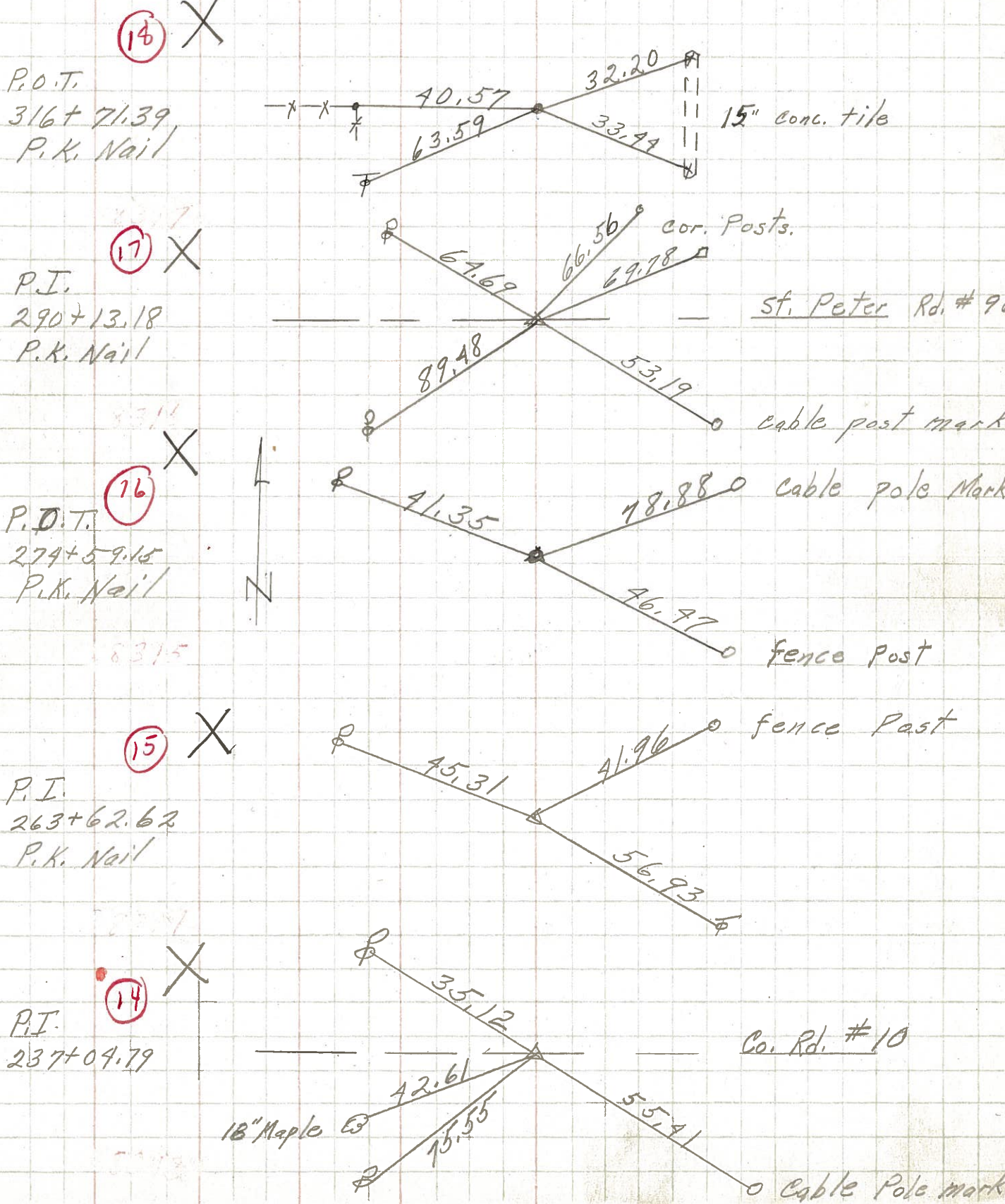
SHINER
NE/S

P.I. STA. 237+04.79 - REC.

PERSONNEL TITLE PERSONNEL TITLE
 Schneider _____
 Mosser _____
 Barbour _____
 Potts _____

COUNTY Seneca DATE 8-26-66
 S. R. U.S. 23 WEATHER Fair
 SEC. Wyandot Co. line North TEMP. 80°

DESCRIPTION Ties for Control Points LEFT CENTER LINE RIGHT JOB NO.



18 X

17 X

16 X

15 X

14 X

P.O.T.
 316+71.39
 P.K. Nail

P.I.
 290+13.18
 P.K. Nail

P.O.T.
 279+59.15
 P.K. Nail

P.I.
 263+62.62
 P.K. Nail

P.I.
 237+04.79

