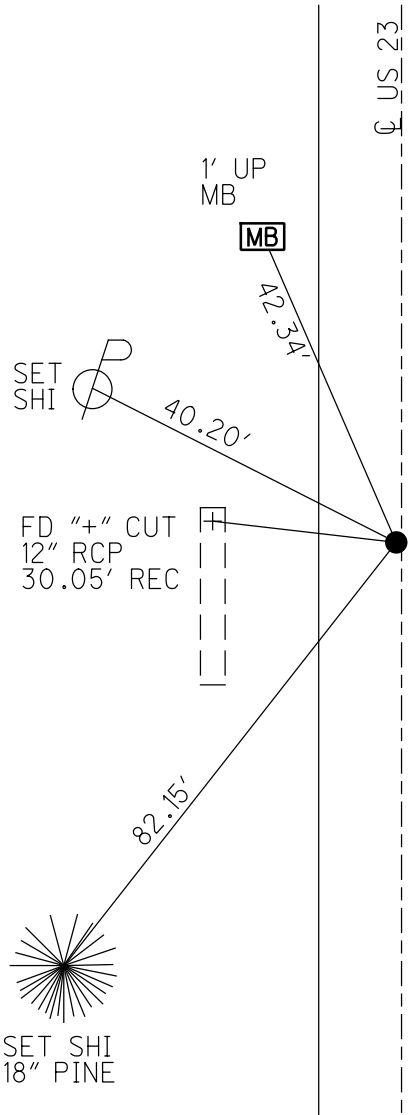
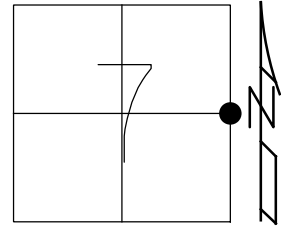


O.D.O.T. DISTRICT 2 SURVEY OFFICE (USE ONLY)

PERSONNEL _____ REFERENCE NO. 15 SHEET 16 OF 22
 NOTES O'DONNELL DATE 5/11/21 ROUTE US 23
 H.C. AUBLE WEATHER WINDY COUNTY SENECA
 R.C. NIESE TEMP. 50° TOWNSHIP BIG SPRING
 DWG BY RHOADES PID 109586 SECTION 7
 T 1 N R 13 E

TYPE MONUMENT SM.R.R.SPIKE
~~ON SURFACE~~ - BELOW 3 1/2"
 OFFSET \odot PAVEMENT 0.6' LT : ~~RT~~
11.2' TO LT. EDGE PAVEMENT
 STATION: 261+82

HORIZ.DATUM: NAD83 2011 GEOID: NAVD88 2012A
 GRID: NORTHING 507999.495 EASTING: 1719849.358



RECORD: P.I.
 STA. 263+63.70
 $\Delta = 0^\circ 01' RT$
 FD R.R.SPIKE
 ATOP STONE
 1955
 FD SM.R.R.SPIKE
 7/21/89, CL
 SET P.K./WASHER
 11/2/89, SWH
 FD P.K./WASHER
 9/01/09
 FD SM.R.R. SPIKE
 3 1/2" DOWN
 REF15
 4/15/19
 8/16/19
 5/11/21, JFO
 SET MAG/WASHER
 12/13/21, DSA
 FD MAG/WASHER
 CKREF16
 4/14/23, JAM

O.D.O.T. DISTRICT 2 SURVEY OFFICE (USE ONLY)

PERSONNEL

REFERENCE NO. 15

SHEET 16 OF 22

NOTES O'DONNELL

DATE 5/11/21

ROUTE US 23

H.C. AUBLE

WEATHER WINDY

COUNTY SENECA

R.C. NIESE

TEMP. 50°

TOWNSHIP BIG SPRING

DWG BY RHOADES

PID PT-SEN19

SECTION 7

T 1 N R 13 E

TYPE MONUMENT SM.R.R.SPIKE

~~ON SURFACE~~ - BELOW 3 1/2"

OFFSET C PAVEMENT 0.6' LT : ~~RT~~

11.2' TO LT. EDGE PAVEMENT

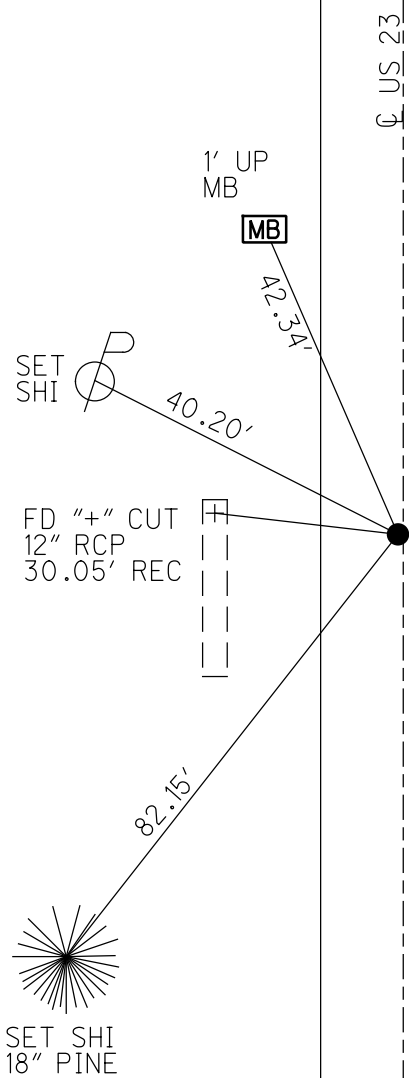
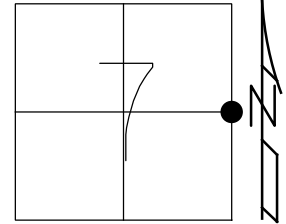
STATION: 261+82

HORZ.DATUM: NAD83 2011

GEOID: NAVD88 2012A

GRID: NORTHING: 507999.492

EASTING: 1719849.361



RECORD: P.I.
 STA. 263+63.70
 $\Delta = 0^\circ 01' RT$
 FD R.R.SPIKE
 ATOP STONE
 1955
 FD SM.R.R.SPIKE
 7/21/89, CL
 SET P.K./WASHER
 11/2/89, SWH
 FD P.K./WASHER
 9/01/09
 FD SM.R.R. SPIKE
 3 1/2" DOWN
 REF15
 4/15/19
 8/16/19
 5/11/21, JFO
 SET MAG/WASHER
 12/13/21, DSA

O.D.O.T. DISTRICT 2 SURVEY OFFICE (USE ONLY)

PERSONNEL _____ REFERENCE NO. 15 SHEET 16 OF 22

NOTES LOEHRKE DATE 7/21/89 ROUTE US 23

H.C. HOFFMAN WEATHER HAZY COUNTY SENECA

R.C. BARNHISEL TEMP. 77° TOWNSHIP BIG SPRING

SECTION 7

DWG BY NASON PID PT-SEN19 T 1 N R 13 E

TYPE MONUMENT SM. R.R. SPIKE

ON SURFACE - ~~BELOW~~ ON

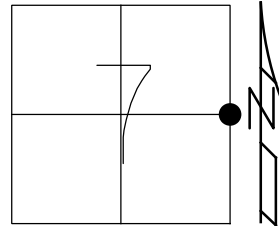
OFFSET 0.6' LT : ~~RT~~

11.2' TO LT. EDGE PAVEMENT

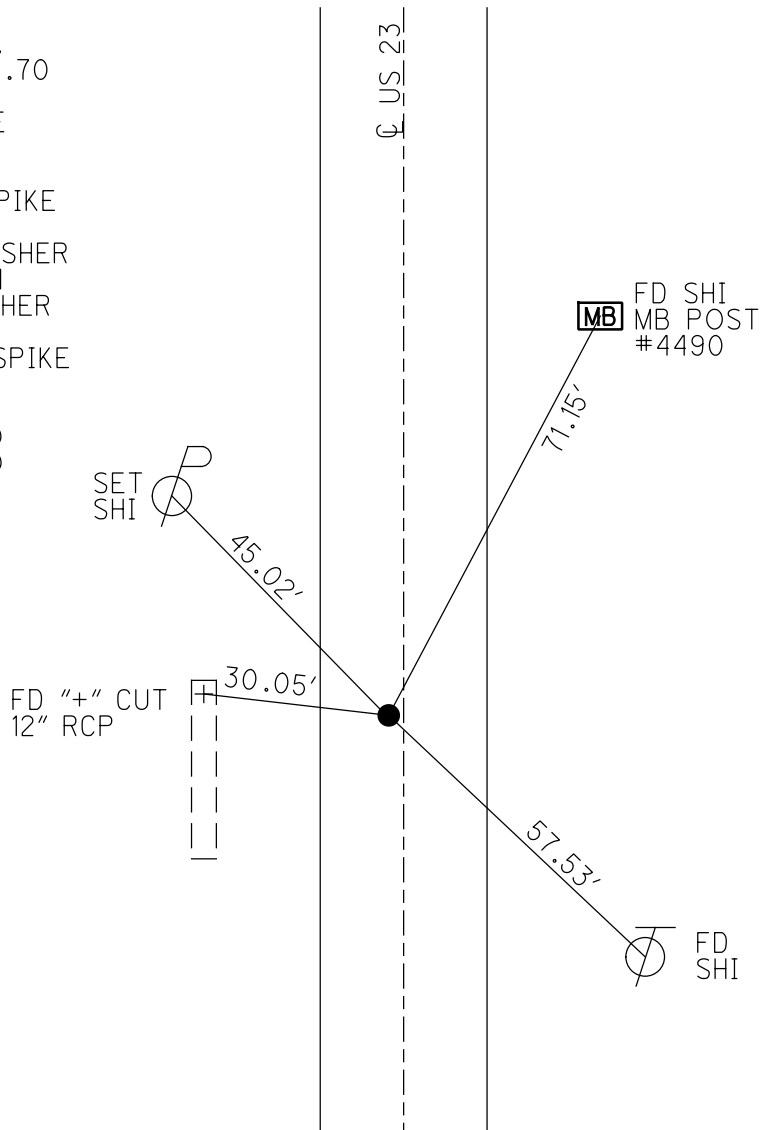
STATION: 261+82

HORZ. DATUM: NAD83 (2011) GEOID: 2012A

GRID: NORTHING: 507999.492 EASTING: 1719849.361



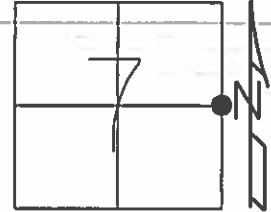
RECORD: P.I.
 STA. 263+63.70
 $\Delta = 0^\circ 01' RT$
 FD R.R.SPIKE
 ATOP STONE
 1955
 FD SM.R.R.SPIKE
 7/21/89, CL
 SET P.K./WASHER
 11/2/89, SWH
 FD P.K./WASHER
 9/01/09
 FD SM.R.R. SPIKE
 3 1/2" DOWN
 REF15
 4/15/19, JFO
 8/16/19, JFO



O.D.O.T. DISTRICT 2 SURVEY OFFICE (USE ONLY)

PERSONNEL	REFERENCE NO.	<u>15</u>	SHEET	<u>16</u>	OF	<u>22</u>
NOTES	<u>LOEHRKE</u>	DATE	<u>07-21-89</u>	ROUTE	<u>US 23</u>	
H.C.	<u>HOFFMAN</u>	WEATHER	<u>HAZY</u>	COUNTY	<u>SENECA</u>	
R.C.	<u>BARNHISEL</u>	TEMP.	<u>+77</u>	TOWNSHIP	<u>BIG SPRING</u>	
				SECTION	<u>7</u>	
				T	<u>1</u>	N
				R	<u>13</u>	E

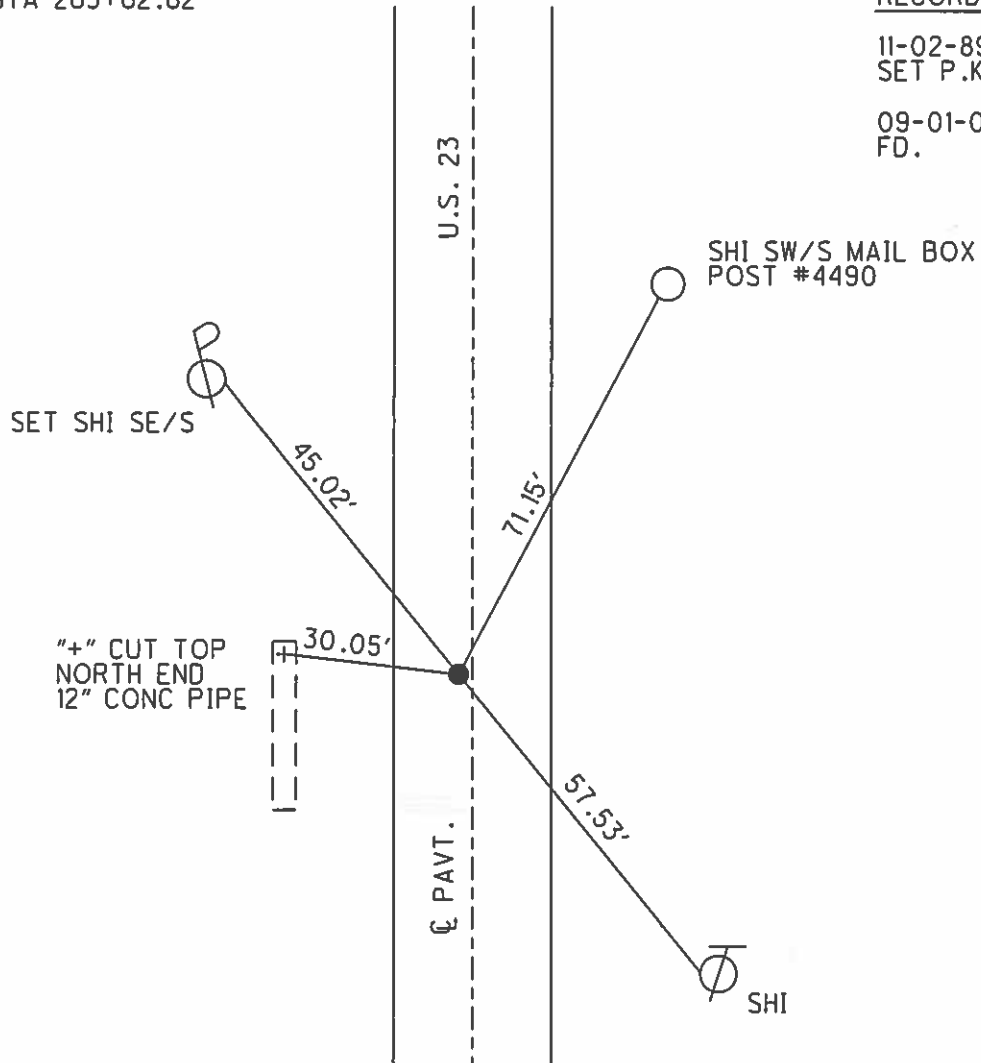
TYPE MONUMENT SM. R.R. SPIKE
 ON SURFACE - ~~BELOW~~ ON SURFACE
 LEFT - Q PAV'T - ~~RIGHT~~ 0.6'
11.2' TO LT. EDGE PAVEMENT
 S.L.M. 261+82



GRID: NORTHING: _____ EASTING: _____

REC-PI STA 263+62.62

RECORD
 11-02-89 SWH
 SET P.K./WASHER
 09-01-09
 FD.



O.D.O.T. DISTRICT 2 SURVEY OFFICE

PERSONNEL _____

REFERENCE NO. 15

SHEET _____ OF _____

NOTES LOCHRKE

H.C. Hoffman

R.C. BARNHISEL

DATE 7-21-89

WEATHER HAZY

TEMP. +77

ROUTE U.S. 23

COUNTY SENECA

TOWNSHIP Big Spring

SECTION 7

T _____ R _____

TYPE MONUMENT Small R.R. Spike

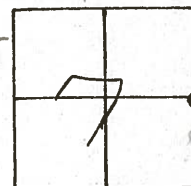
ON SURFACE - ~~BELOW~~ Yes

LEFT- & PAV'T. - RIGHT 0.6 Lt

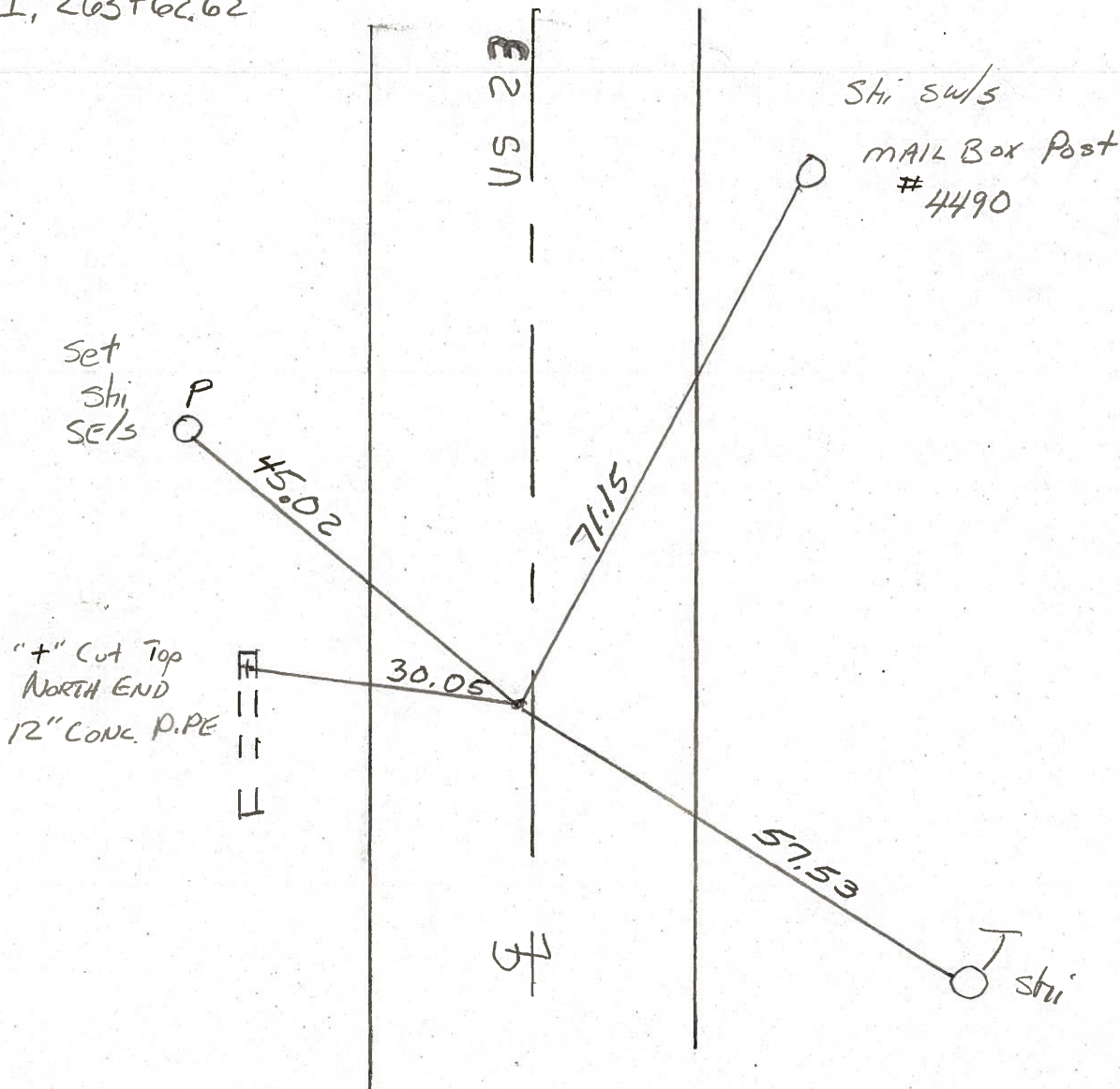
1/2 TO Lt EDGE PAVEMENT

S.L.M. 261 + 82

*Set P.K./washer
11-2-89 SOK*



Rec. P.I., 263 + 62.62



O.D.O.T. DISTRICT 2 SURVEY OFFICE

SHEET OF

County Seneca S.R. 45.23

Township Big Spring

Section 7

T N, R E

Personnel HOFFMAN

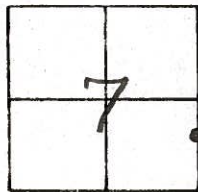
Householder

15

Date 6-22-81

Weather Partly Cloudy

Temp. +77°

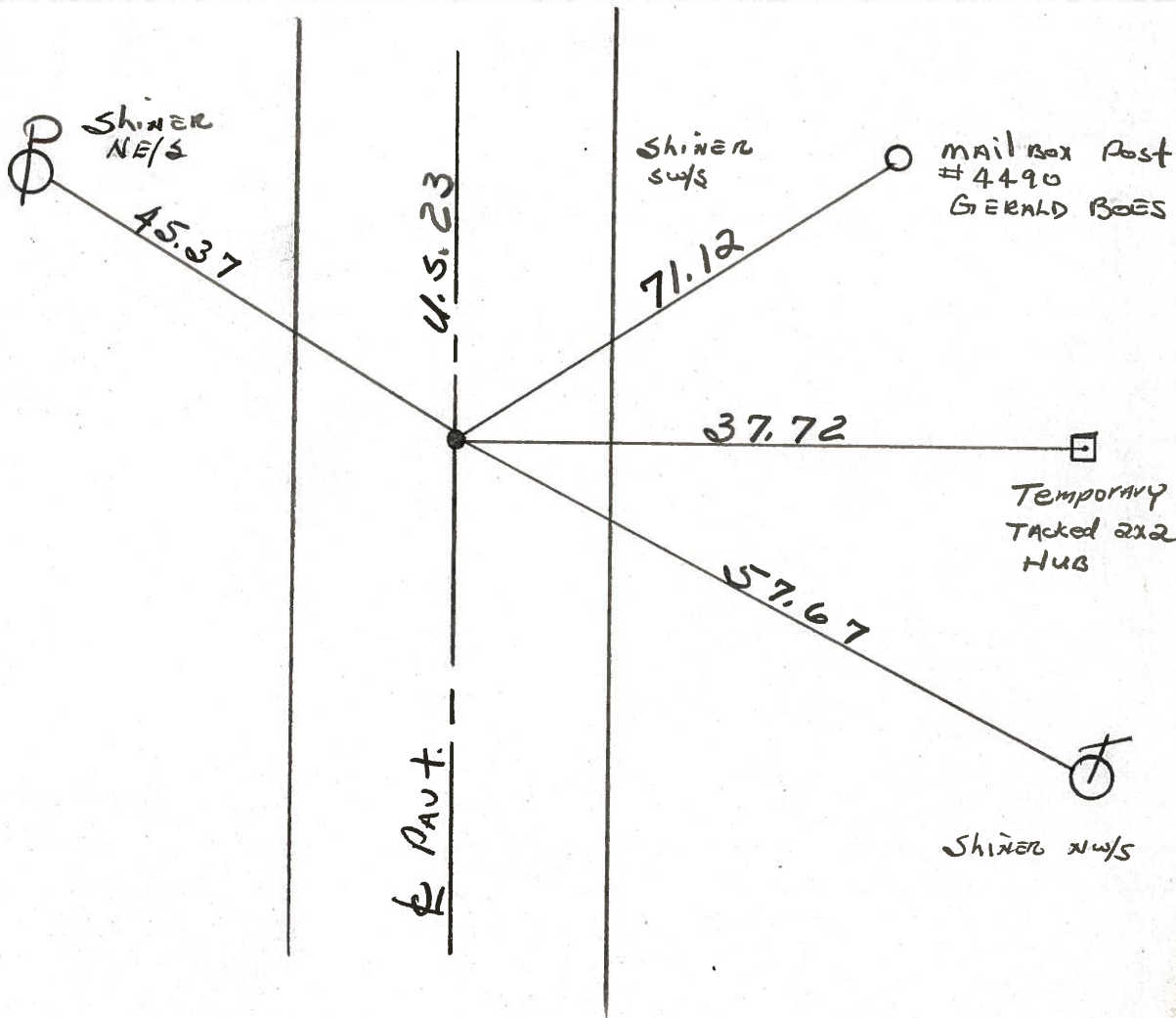


Fd. P.K. Nail @ Surface @ ctr. of PAUT.

Project STA ± 262+00

SET SMALL R.R. SPK.

9-30-81 SWH



P.I. STA. 263+62.62-REC.

PERSONNEL	TITLE	PERSONNEL	TITLE	COUNTY	DATE	WEATHER	TEMP
Schneider				Seneca	8-26-66	Fair	80°
Mosser				S. R. U.S. 23			
Barbour				SEC. Wyandot Co. Line North			
Potts							
DESCRIPTION				Ties for Control Points		JOB NO.	
LEFT		CENTER LINE		RIGHT			

