

O.D.O.T. DISTRICT 2 SURVEY OFFICE (USE ONLY)

PERSONNEL

REFERENCE NO. 16

SHEET 17 OF 22

NOTES O'DONNELL

DATE 5/11/21

ROUTE US 23

H.C. AUBLE

WEATHER WINDY

COUNTY SENECA

R.C. NIESE

TEMP. 50°

TOWNSHIP BIG SPRING

SECTION 7

DWG BY RHOADES

PID 85264

T 1 N R 13 E

TYPE MONUMENT P.K.NAIL

ON SURFACE - ~~BELOW~~ ON

OFFSET CL PAVEMENT 0.6' LT : ~~RT~~

11.5' TO LT EDGE PAVEMENT

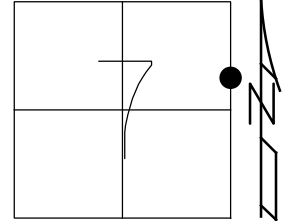
STATION: 272+83

HORZ.DATUM: NAD83 2011

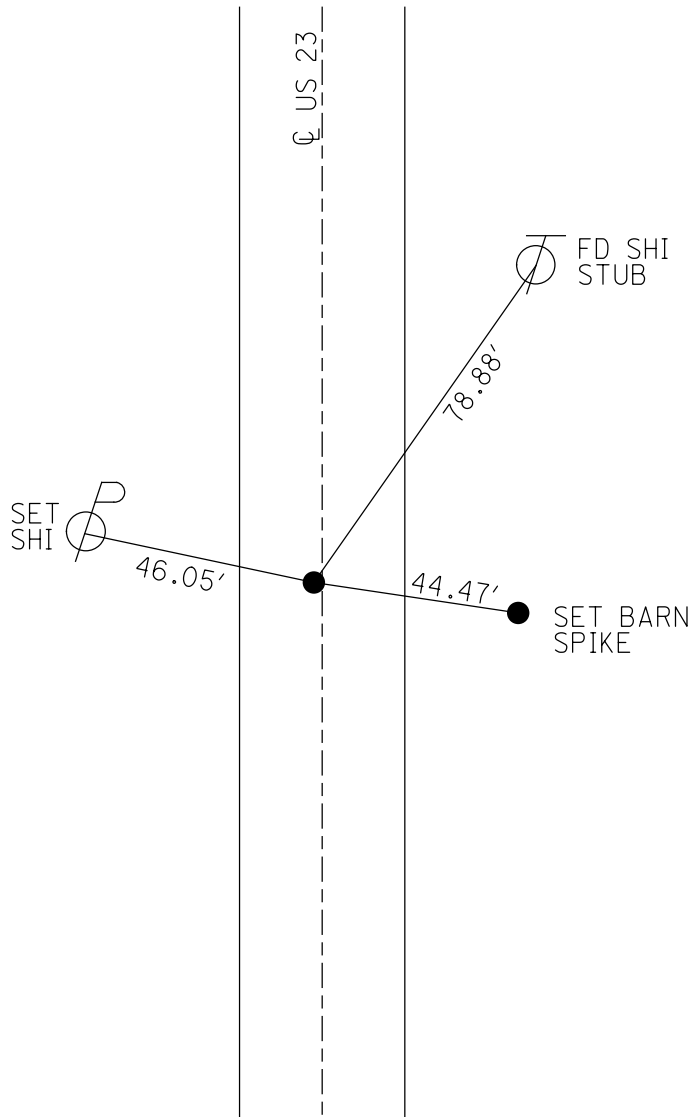
GEOID: NAVD88 2012A

GRID: NORTHING: 509096.001

EASTING: 1719849.455



RECORD:
 STA. 274+59.15
 FD SM.R.R.SPIKE
 7/21/89, CL
 SET P.K./WASHER
 11/2/89, SWH
 P.K./WASHER
 9/01/09
 FD P.K. NAIL
 REF16
 4/15/19
 8/16/19
 5/11/21, JFO
 SET MAG/WASHER
 12/13/21, DSA



O.D.O.T. DISTRICT 2 SURVEY OFFICE (USE ONLY)

PERSONNEL

REFERENCE NO. 16

SHEET 17 OF 22

NOTES LOEHRKE DATE 7/21/89

H.C. HOFFMAN WEATHER HAZY

R.C. BARNHISEL TEMP. 77°

ROUTE US 23

COUNTY SENECA

TOWNSHIP BIG SPRING

SECTION 7

DWG BY NASON PID PT-SEN19

T 1 N R 13 E

TYPE MONUMENT SM. R.R. SPIKE

ON SURFACE - ~~BELOW~~ ON

OFFSET Q PAVEMENT 0.6' LT : ~~RT~~

11.5' TO LT. EDGE PAVEMENT

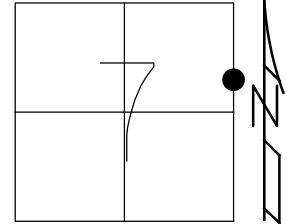
STATION: 272+83

HORZ.DATUM: NAD83 (2011)

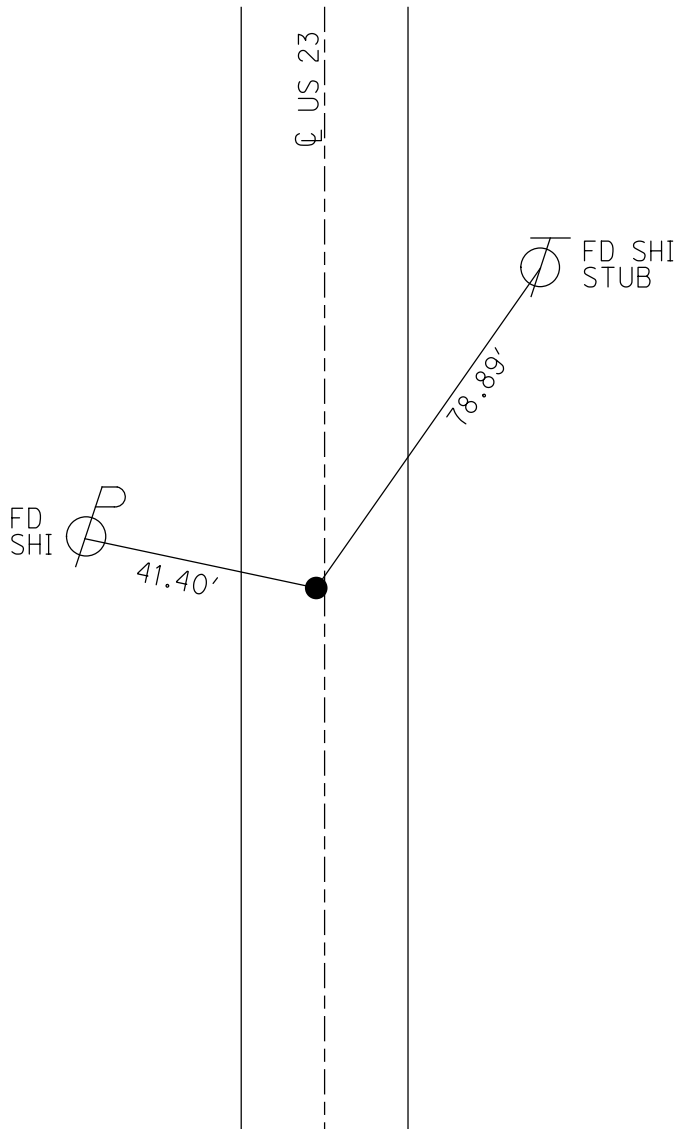
GEOID: 2012A

GRID: NORTHING: 509096.001

EASTING: 1719849.455



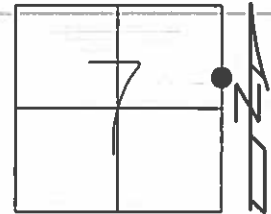
RECORD:
STA. 274+59.15
FD SM.R.R.SPIKE
7/21/89, CL
SET P.K./WASHER
11/2/89, SWH
P.K./WASHER
9/01/09
FD P.K. NAIL
REF16
4/15/19, JFO
8/16/19, JFO



O.D.O.T. DISTRICT 2 SURVEY OFFICE (USE ONLY)

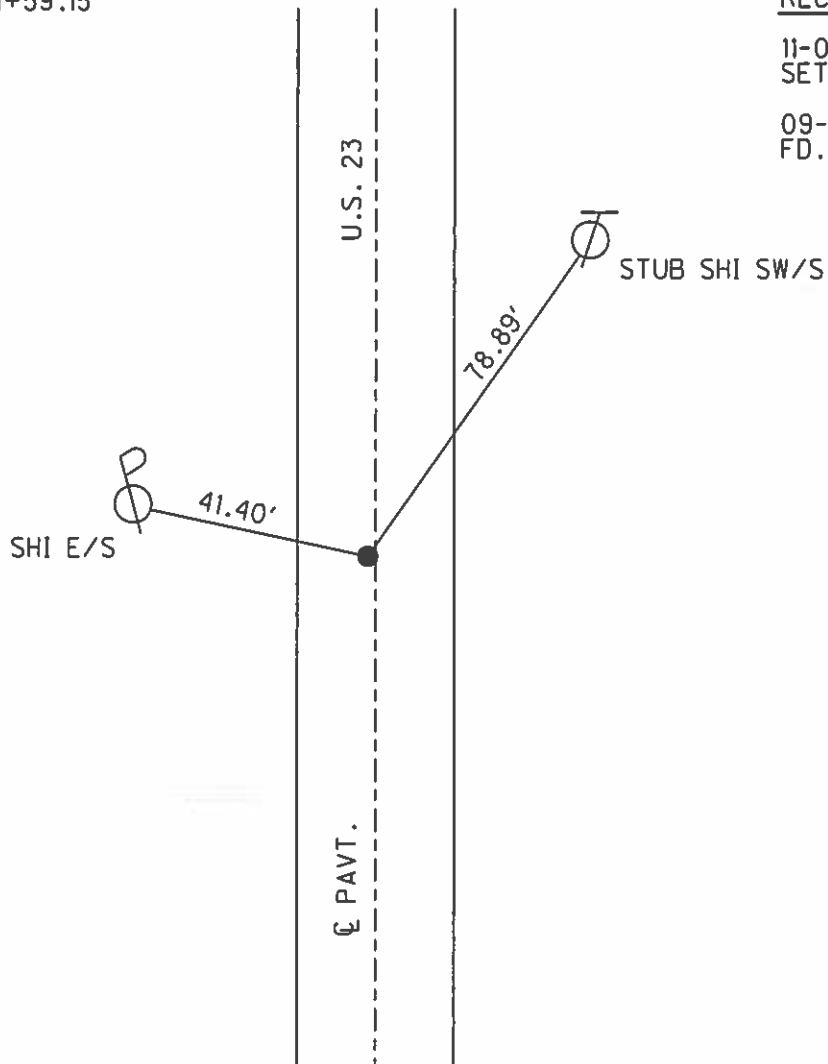
PERSONNEL _____ REFERENCE NO. 16 SHEET 17 OF 22
 NOTES LOEHRKE DATE 07-21-89 ROUTE US 23
 H.C. HOFFMAN WEATHER HAZY COUNTY SENECA
 R.C. BARNHISEL TEMP. +77 TOWNSHIP BIG SPRING
 _____ SECTION 7
 _____ T 1 N R 13 E

TYPE MONUMENT SM. R.R. SPIKE
 ON SURFACE - ~~BELOW~~ ON SURFACE
 LEFT - ☉ PAV'T - ~~RIGHT~~ 0.6'
11.5' TO LT. EDGE PAVEMENT
 S.L.M. 272+83
 GRID: NORTHING: _____ EASTING: _____



REC-PI STA 274+59.15

RECORD
 11-02-89 SWH
 SET P.K./WASHER
 09-01-09
 FD.



O.D.O.T. DISTRICT 2 SURVEY OFFICE

PERSONNEL

REFERENCE NO. 16

SHEET OF

NOTES LOEHRKE

H.C. Hoffman

R.C. LOEHRKE

DATE 7-21-89

WEATHER HAZY

TEMP. +77

ROUTE U.S. 23

COUNTY SENECA

TOWNSHIP Big Spring

SECTION 7

T R

TYPE MONUMENT Sm. R.R. Spike

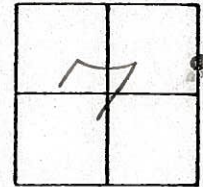
*set P.K./washer
11-2-89 swx*

ON SURFACE - ~~BELOW~~ yes

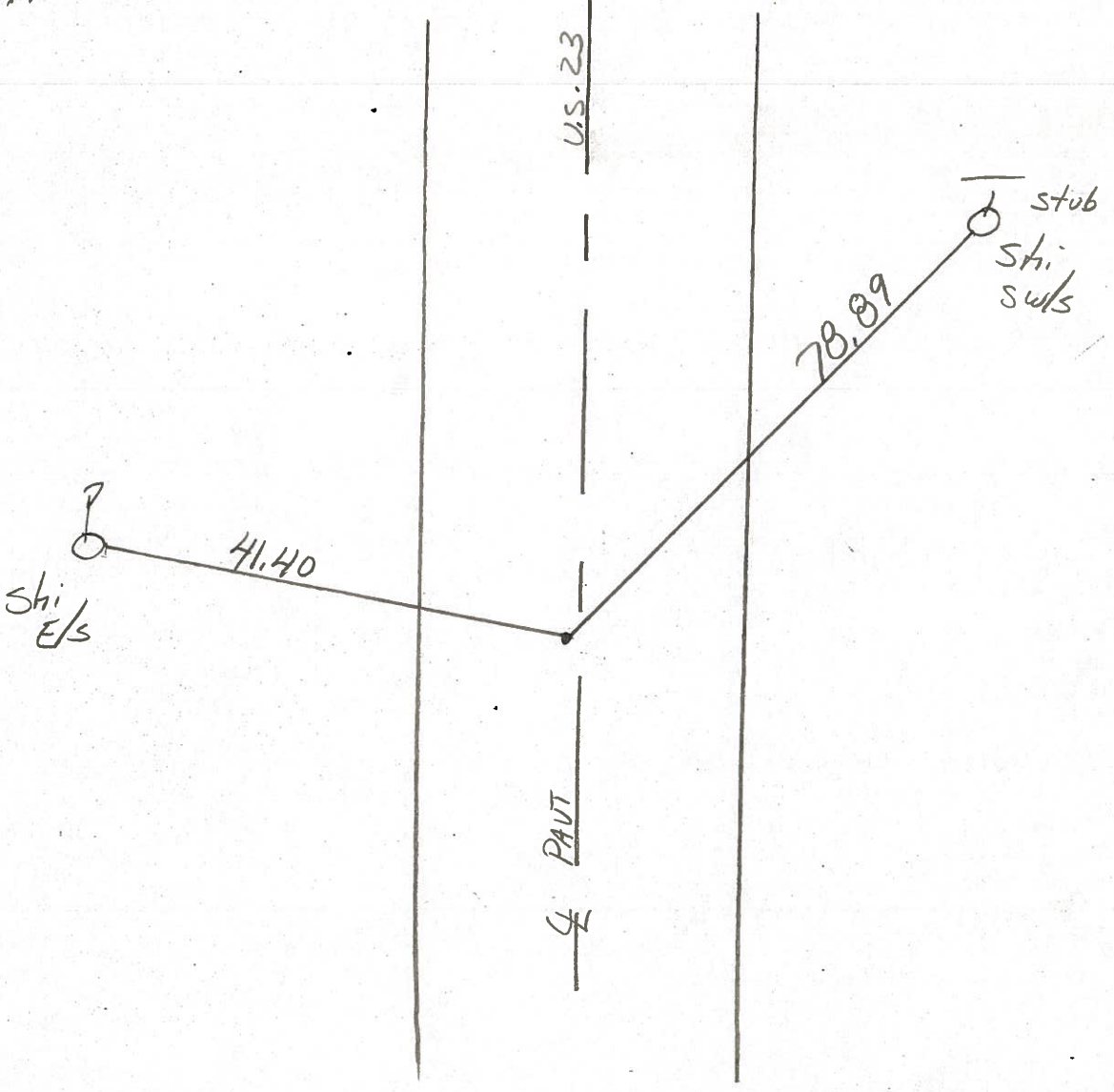
LEFT - 0 PAV'T. - ~~RIGHT~~ 0.6

11.5 TO Lt EDGE PAVEMENT

S.L.M. 272+83



Rec. P.O.T. 274+59.15



O.D.O.T. DISTRICT 2 SURVEY OFFICE

SHEET

OF

County Seneca S.R. -4.5.23

Township Big Spring

Section 7

T N, R E

Personnel Hoffman

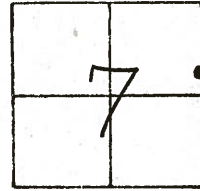
Householder

#16

Date 6-23-81

Weather Clear

Temp. +70°



Fd. P.K. Nail/washer @ Surface
@ ctr. of PAUT.

Project STA ± 273 + 05

SET SMALL R.R. SPK.
9-30-81 SWH

SHINER
E/S



41.35

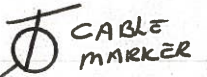
U.S. 23

PAUT.

78.88

46.47

Shiner swys



CABLE
MARKER

SHINER
W/S
Fence
Post

P.O.T. STA. 274+59.15 - REC.

PERSONNEL	TITLE	PERSONNEL	TITLE	COUNTY	DATE	WEATHER	TEMP.	JOB NO.
Schneider				Seneca	8-26-6	Fair	80°	
Mosser				U.S. 23				
Barbour				Wyandot Co. line North				
Potts								

DESCRIPTION Ties for Control Points

LEFT CENTER LINE RIGHT

