

O.D.O.T. DISTRICT 2 SURVEY OFFICE (USE ONLY)

PERSONNEL \_\_\_\_\_ REFERENCE NO. 26 SHEET 8 OF 17

NOTES O'DONNELL DATE 5/12/21 ROUTE US 23

H.C. AUBLE WEATHER SUNNY COUNTY SENECA

R.C. NIESE TEMP. 50° TOWNSHIP LOUDON

DWG BY RHOADES PID 85264 SECTION 19

T 2 N R 13 E

TYPE MONUMENT P.K.NAIL

ON ~~SURFACE~~ - BELOW 1"

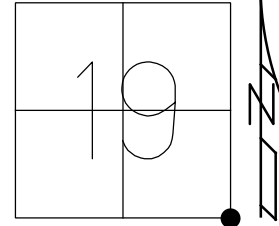
OFFSET  $\varnothing$  PAVEMENT 0.9' LT : RT

- TO - EDGE PAVEMENT

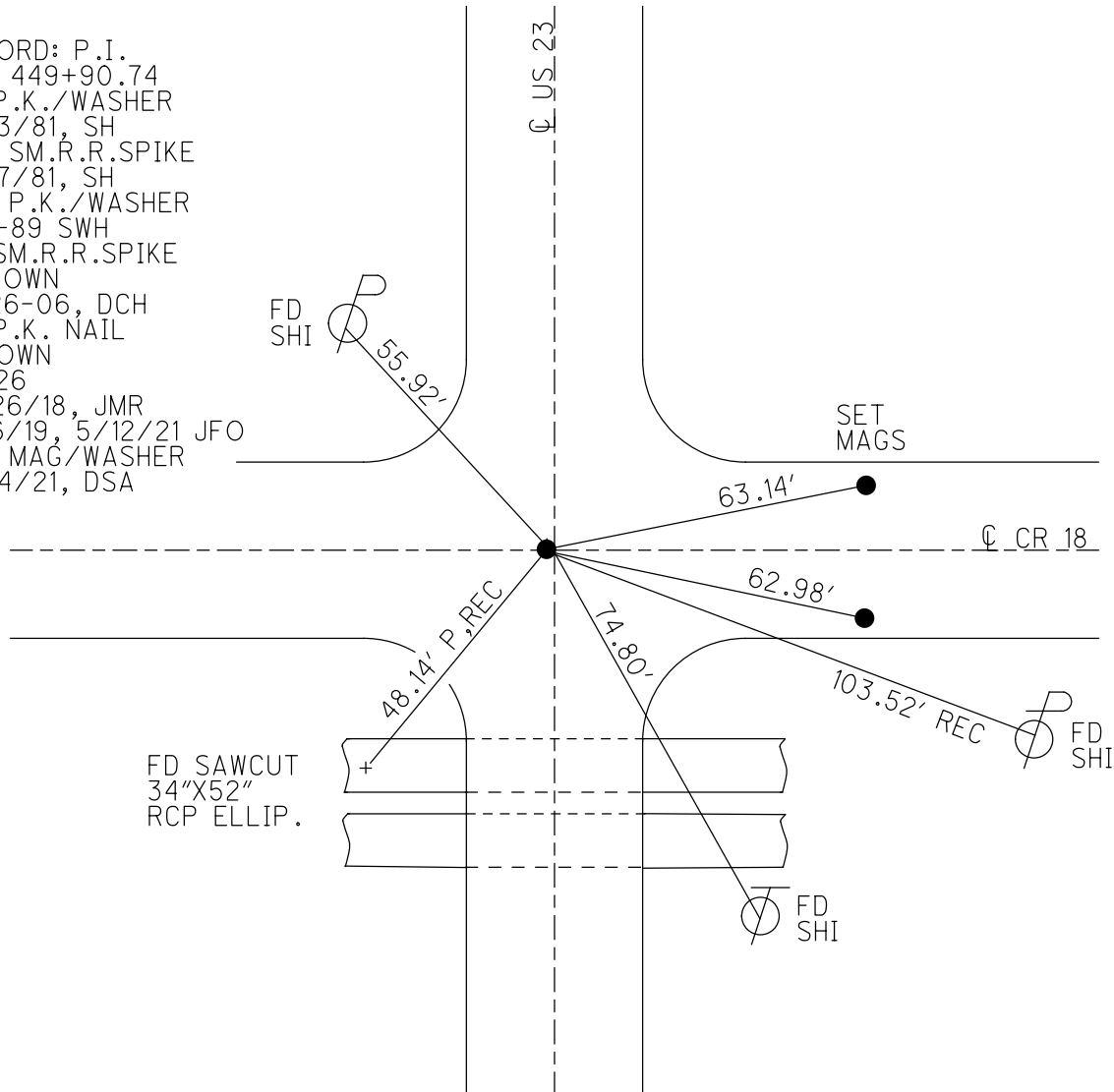
STATION: 449+90.74

HORZ.DATUM: NAD83 2011 GEOID: 2012A

GRID: NORTHING: 526610.193 EASTING: 1720091.863



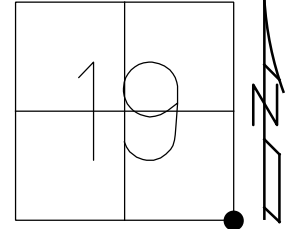
RECORD: P.I.  
 STA 449+90.74  
 FD P.K./WASHER  
 6/23/81, SH  
 SET SM.R.R.SPIKE  
 8/27/81, SH  
 SET P.K./WASHER  
 11-3-89 SWH  
 FD SM.R.R.SPIKE  
 3" DOWN  
 10-26-06, DCH  
 FD P.K. NAIL  
 1" DOWN  
 REF26  
 10/26/18, JMR  
 8/16/19, 5/12/21 JFO  
 SET MAG/WASHER  
 12/14/21, DSA



O.D.O.T. DISTRICT 2 SURVEY OFFICE (USE ONLY)

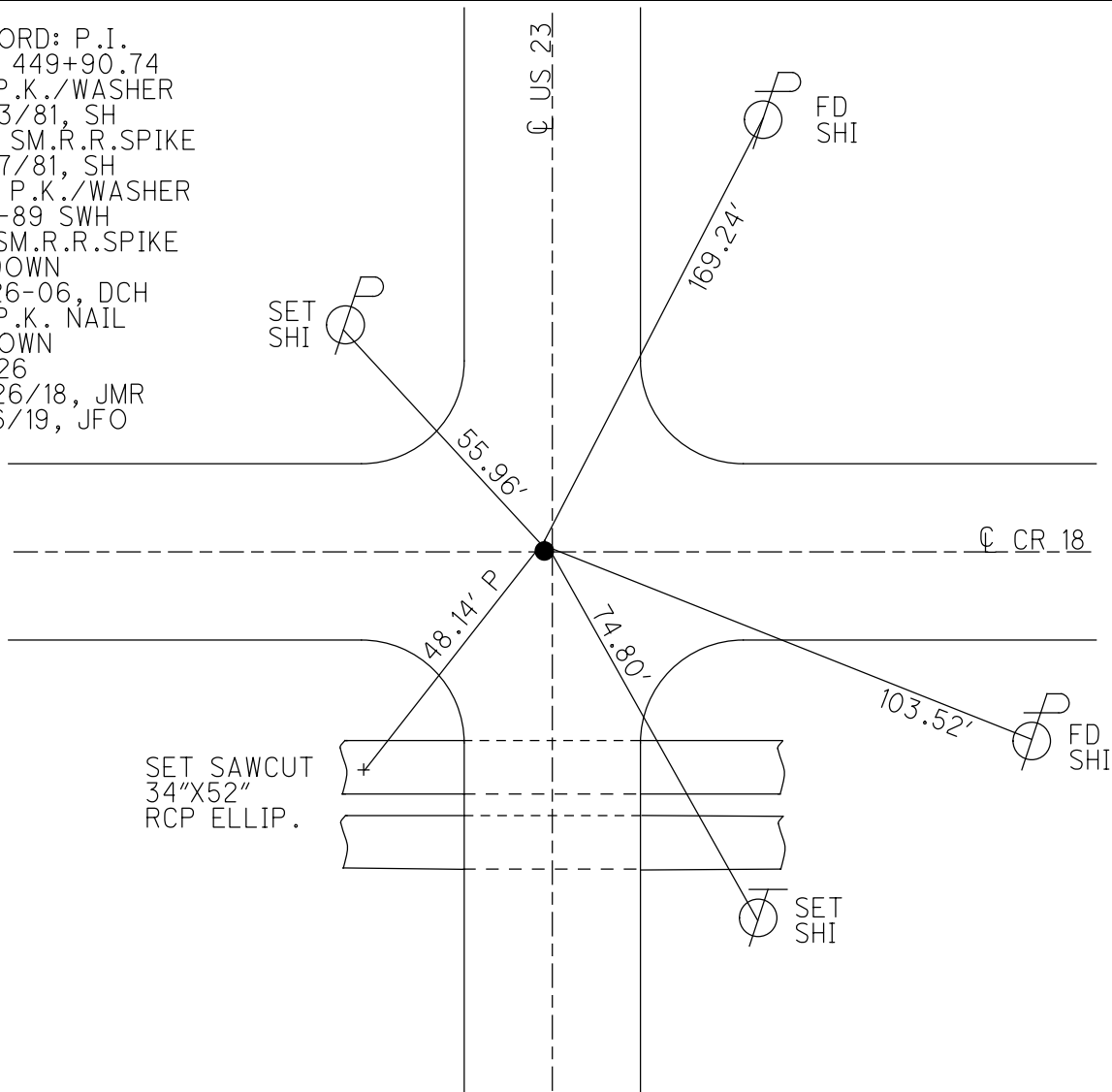
PERSONNEL \_\_\_\_\_ REFERENCE NO. 26 SHEET 8 OF 12  
 NOTES ELKHECHEN DATE 10/30/18 ROUTE US 23  
 H.C. LEU WEATHER CLOUDY COUNTY SENECA  
 R.C. MILLER TEMP. 50° TOWNSHIP LOUDON  
 SECTION 19  
 DWG BY NASON PID PT-SEN19 T 2 N R 13 E

TYPE MONUMENT P.K.NAIL  
 ON ~~SURFACE~~ - BELOW 1"  
 OFFSET Q PAVEMENT 0.9' LT : RT  
- TO - EDGE PAVEMENT  
 STATION: 449+90.74



HORZ.DATUM: NAD83 2011 GEOID: 2012A  
 GRID: NORTHING: 526610.193 EASTING: 1720091.863

RECORD: P.I.  
 STA 449+90.74  
 FD P.K./WASHER  
 6/23/81, SH  
 SET SM.R.R.SPIKE  
 8/27/81, SH  
 SET P.K./WASHER  
 11-3-89 SWH  
 FD SM.R.R.SPIKE  
 3" DOWN  
 10-26-06, DCH  
 FD P.K. NAIL  
 1" DOWN  
 REF26  
 10/26/18, JMR  
 8/16/19, JFO

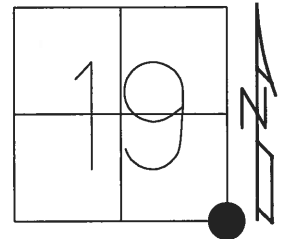


O.D.O.T. DISTRICT 2 SURVEY OFFICE (USE ONLY)

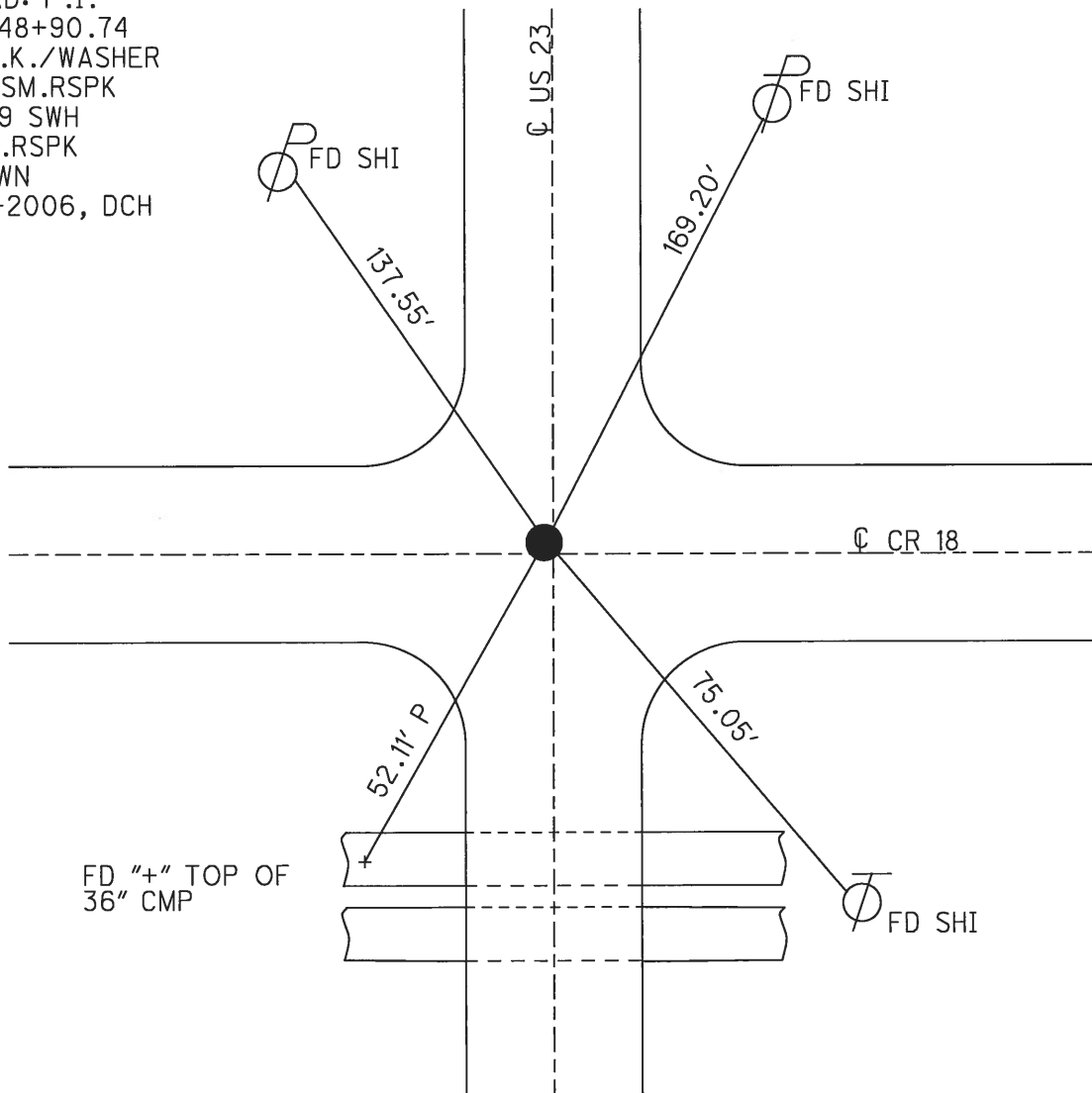
PERSONNEL	REFERENCE NO.	<u>26</u>	SHEET	<u>4</u>	OF	<u>8</u>
NOTES	<u>HOMAN</u>	DATE	<u>10-26-2006</u>	ROUTE	<u>US 23</u>	
H.C.	<u>HOMAN</u>	WEATHER	<u>SUNNY</u>	COUNTY	<u>SENECA</u>	
R.C.	<u>MIKLOVIC</u>	TEMP.	<u>35° F</u>	TOWNSHIP	<u>LOUDON</u>	
				SECTION	<u>19</u>	
				T	<u>2</u>	R
				N	<u>13</u>	E

TYPE MONUMENT SM. RSPK  
~~ON SURFACE~~ - BELOW 3"  
 LEFT - Q PAV'T - ~~RIGHT~~ 0.5'  
 - TO - EDGE PAVEMENT  
 S.L.M. 448+57

GRID: NORTHING: \_\_\_\_\_ EASTING: \_\_\_\_\_



RECORD: P.I.  
 STA 448+90.74  
 SET P.K./WASHER  
 OVER SM.RSPK  
 11-3-89 SWH  
 FD SM.RSPK  
 3" DOWN  
 10-26-2006, DCH







County Seneca S.R.-U.S. 23

Date 6-23-81

Township London

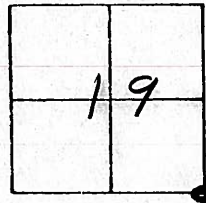
Weather clear

Section 19

Temp. +75°

T N, R E

Personnel HOFFMAN  
Householder



# 26

Fd. P.K. Nail/washer @ surface  
@ ctr of PAUTS

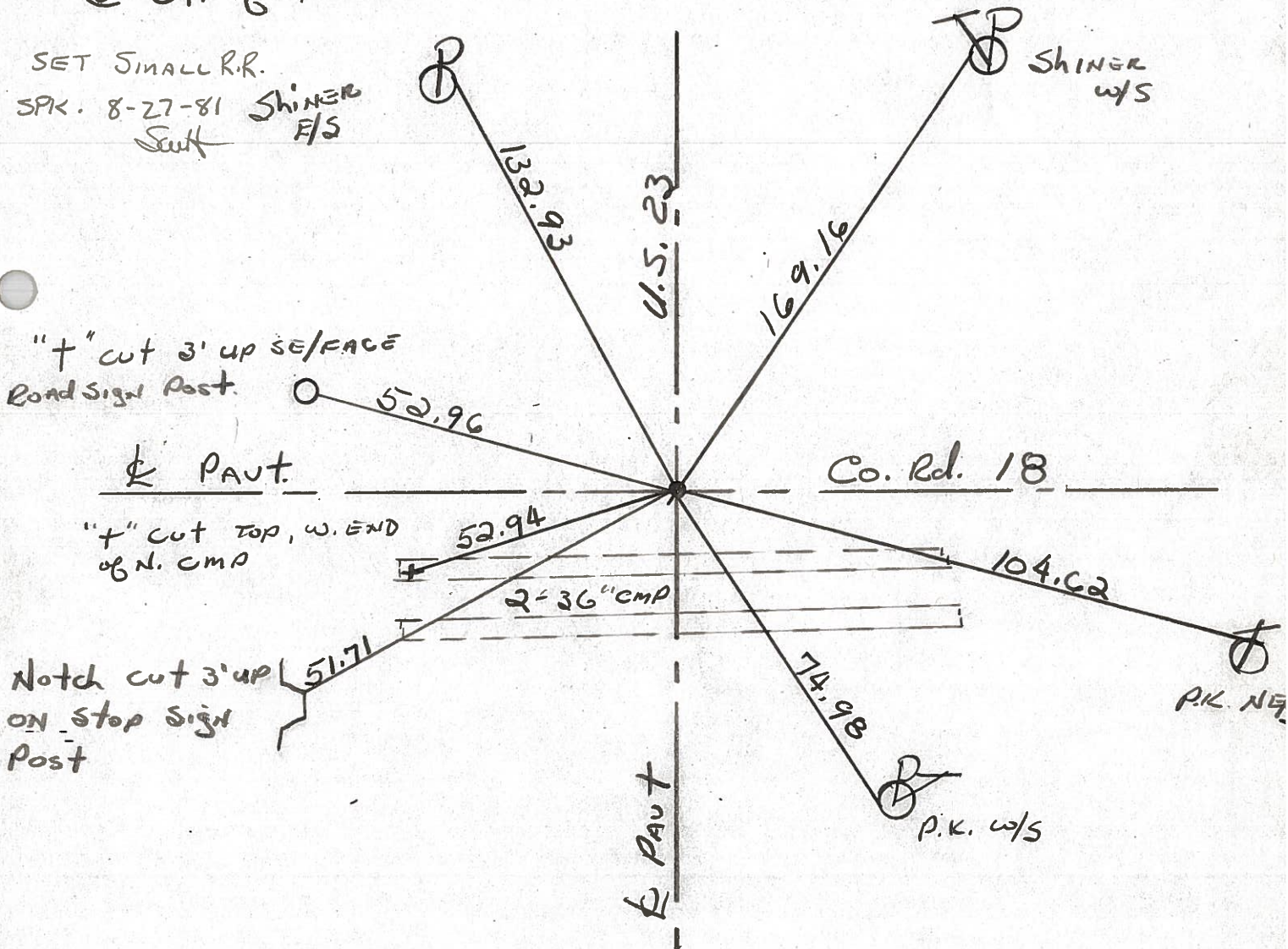
Project STA ± 448+88

SET SMALL R.R.  
SPK. 8-27-81 SHINER  
Suff F/S

"+" cut 3' up SE/FACE  
Road Sign Post.

"+" cut TOP, W. END  
of N. CMP

Notch cut 3' up  
ON Stop Sign  
Post



P.I. STA. 449+90.74 ~ Rec.

PERSONNEL	TITLE	PERSONNEL	TITLE	COUNTY	DATE	WEATHER	TEMP.
H. Schneider				Seneca	8-27-6	Fair	70°
E. Mosser				U.S. 23			
R. Barbour				SEC. Wyandot Co. Line N.			
C. Potts							

DESCRIPTION Ties for Control Points LEFT CENTER LINE RIGHT JOB NO.

