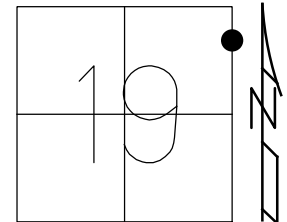


O.D.O.T. DISTRICT 2 SURVEY OFFICE (USE ONLY)

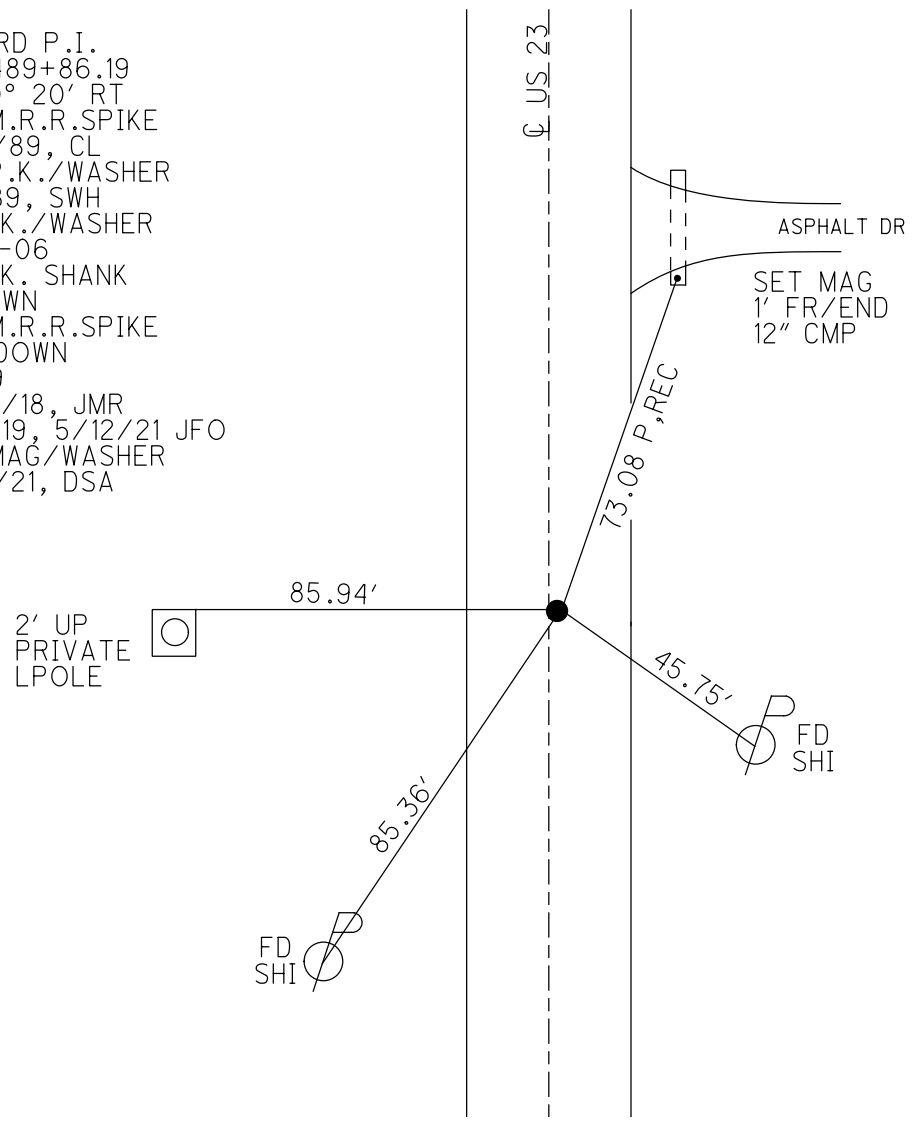
PERSONNEL _____ REFERENCE NO. 29 SHEET 11 OF 17
 NOTES O'DONNELL DATE 5/12/21 ROUTE US 23
 H.C. AUBLE WEATHER SUNNY COUNTY SENECA
 R.C. NIESE TEMP. 58° TOWNSHIP LOUDON
 DWG BY RHOADES PID 85264 SECTION 19
 T 2 N R 13 E

TYPE MONUMENT SM.R.R.SPIKE
~~ON SURFACE~~ - BELOW 3.5"
 OFFSET \oslash PAVEMENT 0.2' ~~LT~~ : RT
11.4' TO RT EDGE PAVEMENT
 STATION: 488+86.19



HORZ.DATUM: NAD83 2011 GEOID: 2012A
 GRID: NORTHING: 530605.999 EASTING: 1720112.594

RECORD P.I.
 STA 489+86.19
 $\Delta = 0^\circ 20' RT$
 FD SM.R.R.SPIKE
 7/24/89, CL
 SET P.K./WASHER
 11-3-89, SWH
 FD P.K./WASHER
 10-26-06
 FD P.K. SHANK
 3" DOWN
 FD SM.R.R.SPIKE
 3.5" DOWN
 REF29
 10/26/18, JMR
 8/16/19, 5/12/21 JFO
 SET MAG/WASHER
 12/14/21, DSA



O.D.O.T. DISTRICT 2 SURVEY OFFICE (USE ONLY)

PERSONNEL _____ REFERENCE NO. 29 SHEET 11 OF 2
 NOTES ELKHECHEN DATE 10/30/18 ROUTE US 23
 H.C. LEU WEATHER CLOUDY COUNTY SENECA
 R.C. MILLER TEMP. 53° TOWNSHIP LOUDON
 DWG BY NASON PID PT-SEN19 SECTION 19
 T 2 N R 13 E

TYPE MONUMENT SM.R.R.SPIKE

~~ON SURFACE~~ - BELOW 3.5"

OFFSET \varnothing PAVEMENT 0.2' ~~LT~~ : RT

11.4' TO RT EDGE PAVEMENT

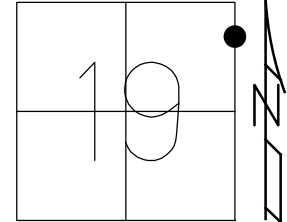
STATION: 488+86.19

HORZ.DATUM: NAD83 2011

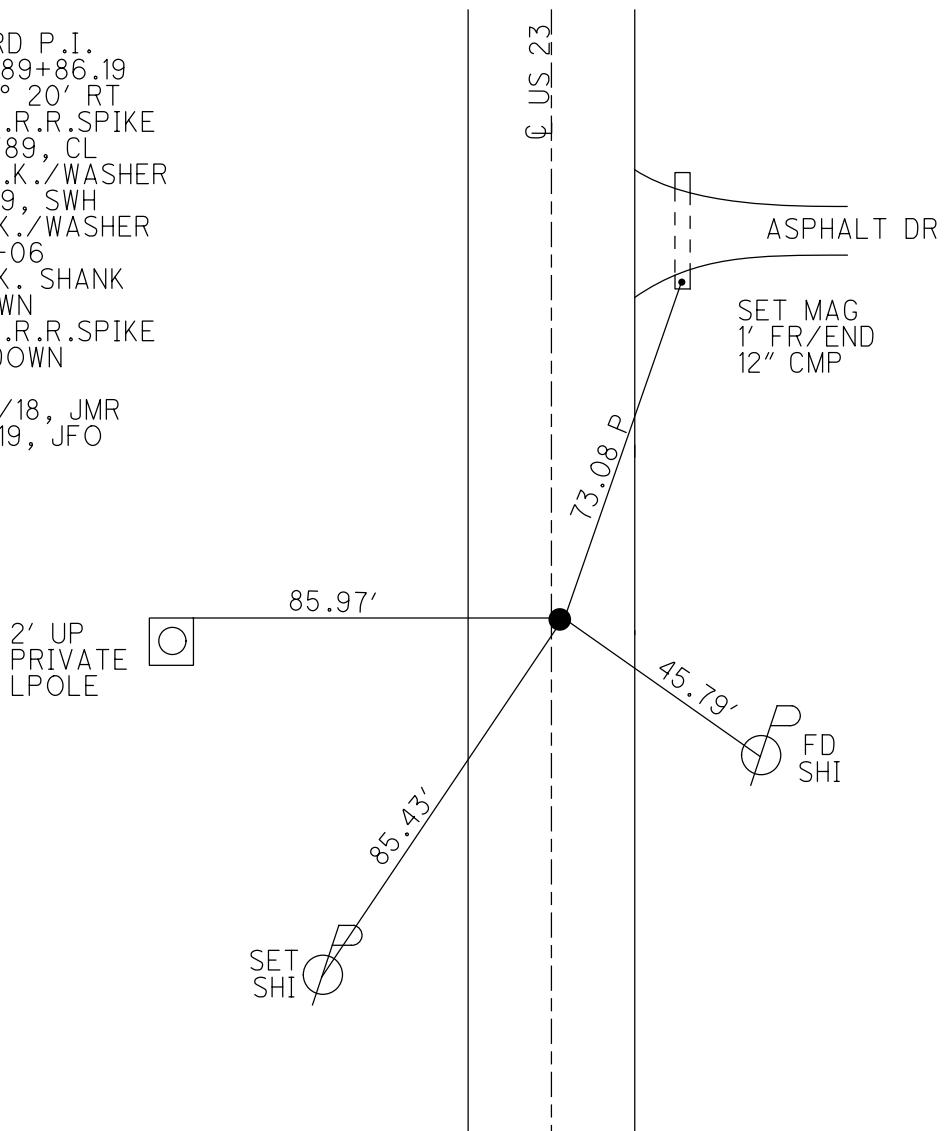
GEOID: 2012A

GRID: NORTHING: 30606.016

EASTING: 1720112.634



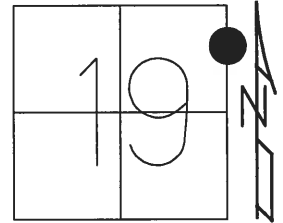
RECORD P.I.
 STA 489+86.19
 $\Delta = 0^\circ 20' RT$
 FD SM.R.R.SPIKE
 7/24/89, CL
 SET P.K./WASHER
 11-3-89, SWH
 FD P.K./WASHER
 10-26-06
 FD P.K. SHANK
 3" DOWN
 FD SM.R.R.SPIKE
 3.5" DOWN
 REF29
 10/26/18, JMR
 8/16/19, JFO



O.D.O.T. DISTRICT 2 SURVEY OFFICE (USE ONLY)

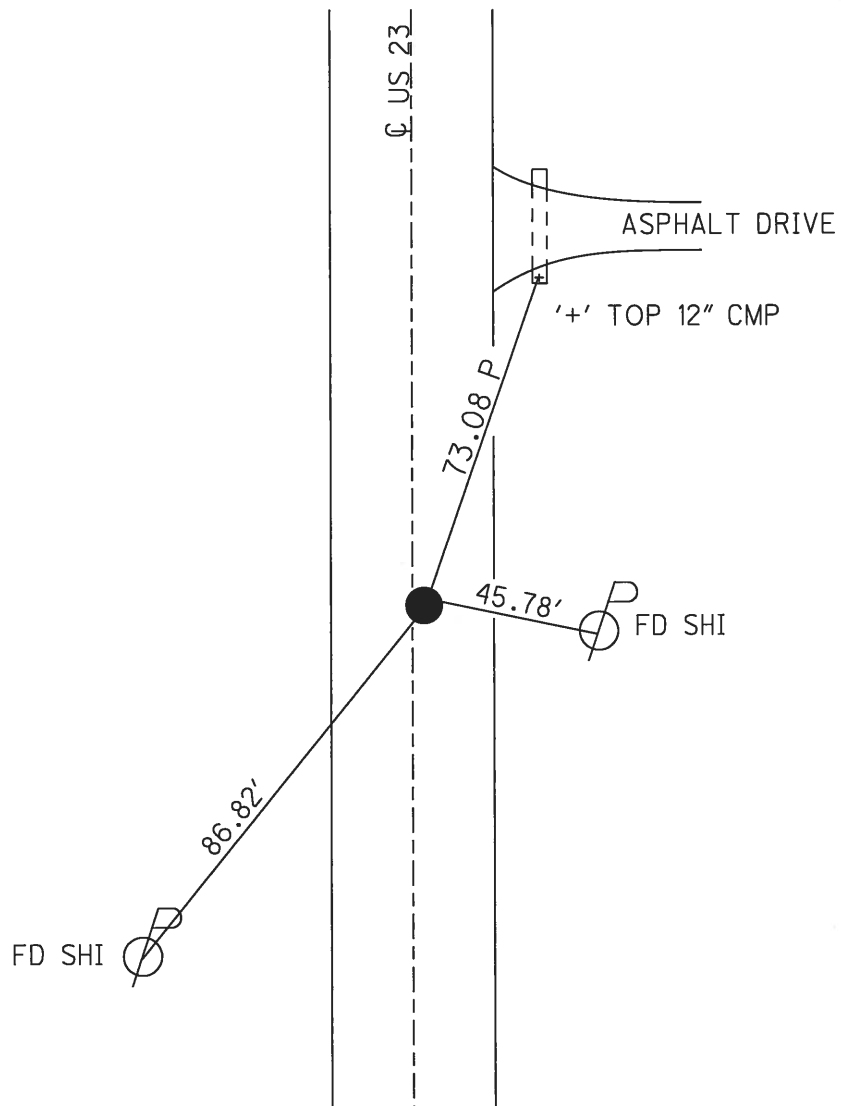
PERSONNEL _____ REFERENCE NO. 29 SHEET 7 OF 8
 NOTES HOMAN DATE 10-26-2006 ROUTE US 23
 H.C. HOMAN WEATHER SUNNY COUNTY SENECA
 R.C. MIKLOVIC TEMP. 35° F TOWNSHIP LOUDON
 _____ SECTION 19
 _____ T 2 N R 13 E

TYPE MONUMENT SM. RSPK
 ON SURFACE - ~~BELOW~~ ON
~~LEFT~~ - Q PAV'T - RIGHT 0.2'
11.4' TO RT. EDGE PAVEMENT
 S.L.M. 488+86.19



GRID: NORTHING: _____ EASTING: _____

RECORD P.I.
 STA 489+86.19
 $\Delta = 0^\circ 20' RT$
 SET P.K./WASHER
 OVER SM. RSPK
 11-3-1989, SWH
 FD. P.K./WASHER
 10-26-2006



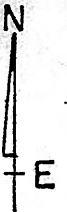
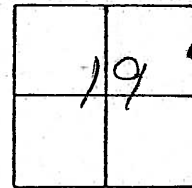
O.D.O.T. DISTRICT 2 SURVEY OFFICE

PERSONNEL Homan
 NOTES LOCHAKE
 H.C. HOPMAN Homan
 R.C. BARNHISEL
Miklovic

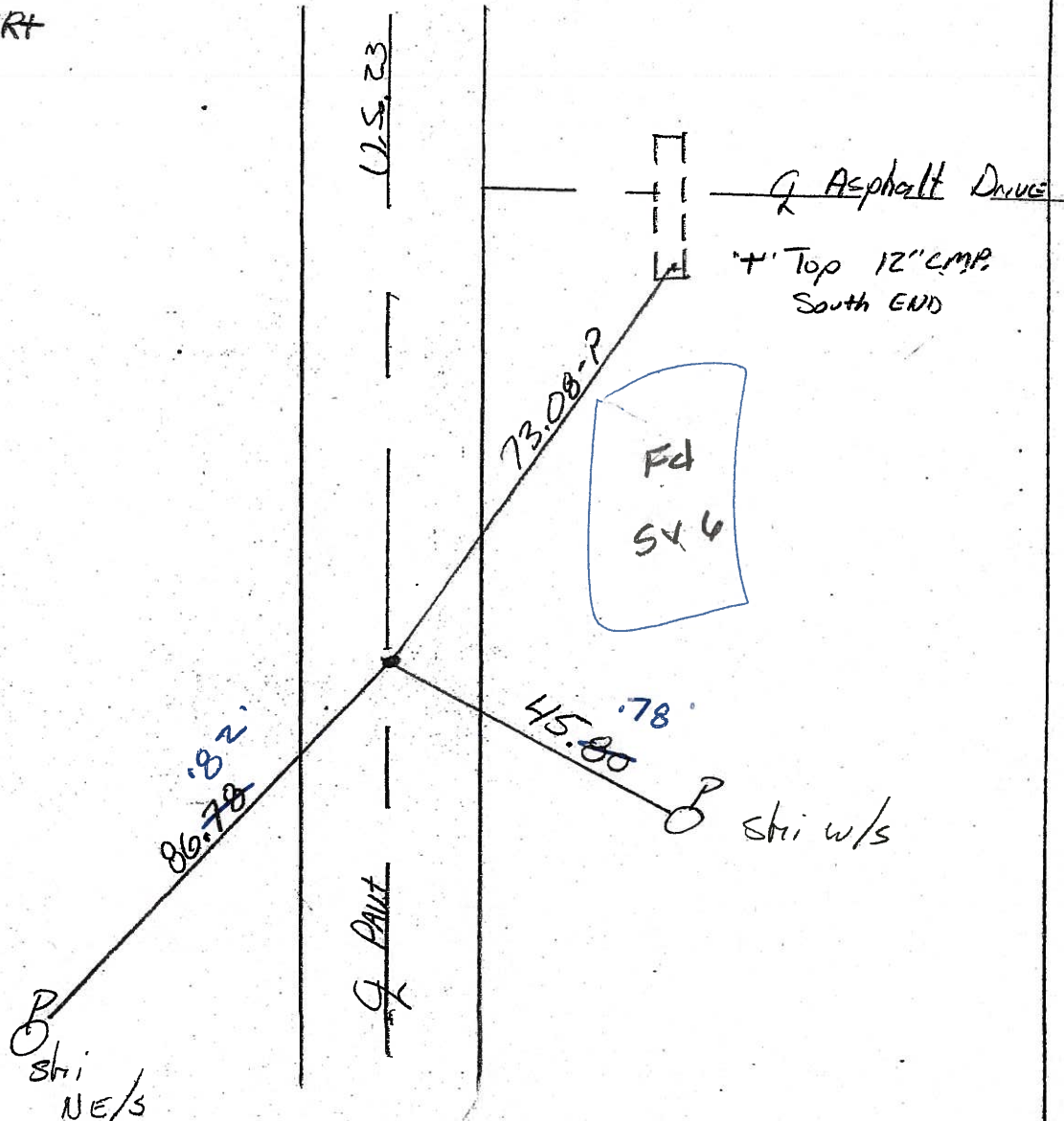
REFERENCE NO. 29
 DATE 10-26-06
7-24-89
 WEATHER Hot Humid Sunny
 TEMP. +85 35

SHEET _____ OF _____
 ROUTE U.S. 23
 COUNTY SENECA
 TOWNSHIP LOUGAN
 SECTION 19
 T _____ R _____

TYPE MONUMENT Sm. R.R. Spike ^{PK} Set P.K./WASHER
 ON SURFACE - BEEHIVE Yes 11-3-89 SWA
~~LEFT~~ - PAV'T. - RIGHT 0.2 Rt
11.4 TO RT EDGE PAVEMENT
 S.L.M. 489+64



REL. P.I. Sta 489+86.19
 $\Delta = 0^\circ - 20' \text{ Rt}$



O.D.O.T. DISTRICT 2 SURVEY OFFICE

PERSONNEL

REFERENCE NO. 29

SHEET OF

NOTES LOEHRKE

H.C. HOFFMAN

R.C. BARNHISEL

DATE 7-24-89

WEATHER Hot - Humid

TEMP. +85

ROUTE U.S. 23

COUNTY SENECA

TOWNSHIP LOWDEN

SECTION 19

T R

TYPE MONUMENT Sm. R.R. Spike

Set P.R./WASHER

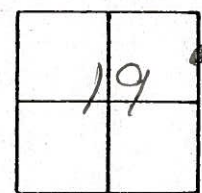
ON SURFACE - BELOW Yes

11-3-89 SWA

~~LEFT~~ - C PAV'T. - RIGHT 0.2 Rt

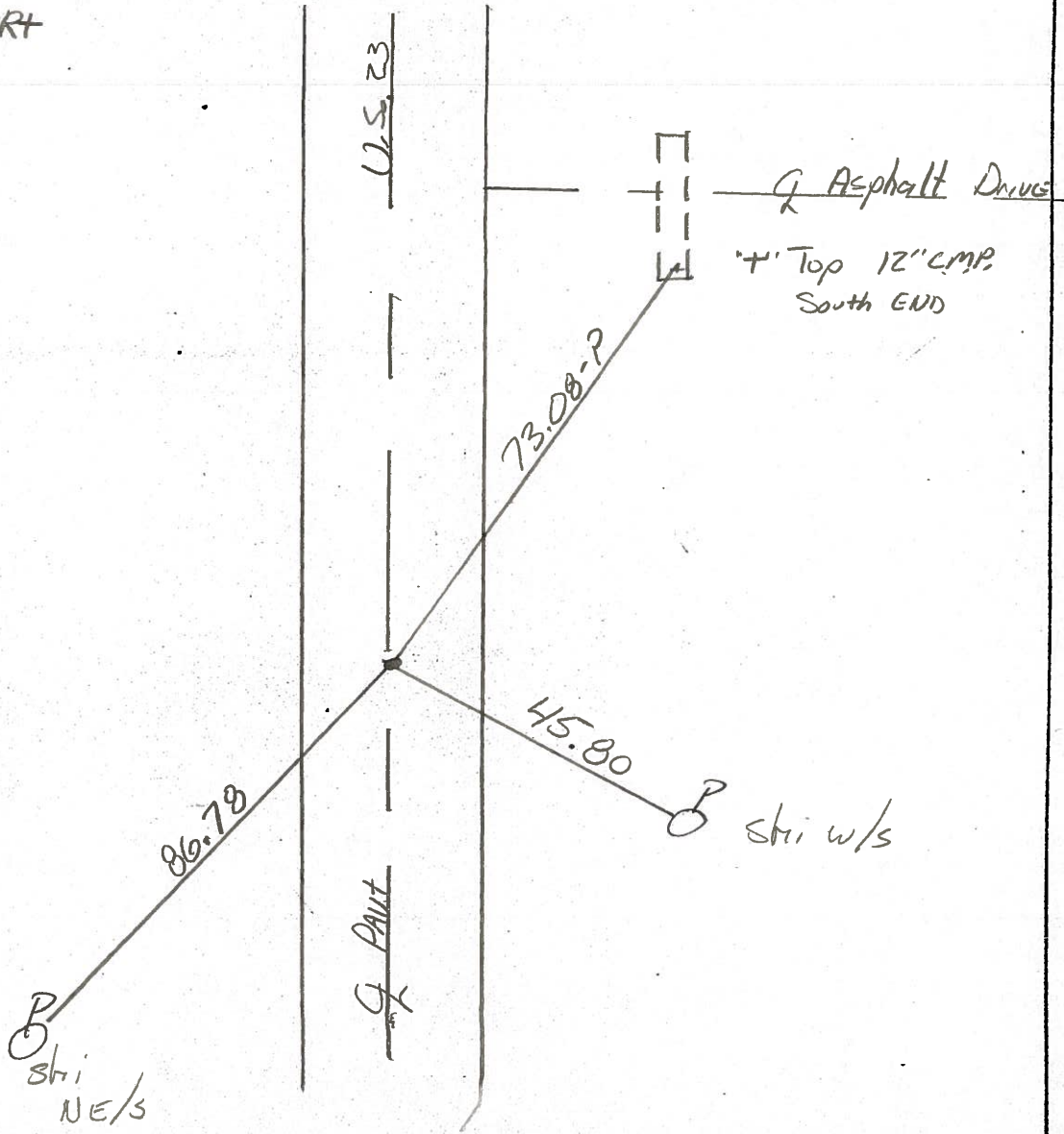
1/4 TO RT EDGE PAVEMENT

S.L.M. 488+64



REL. P.I. Sta 489+86.19

$\Delta = 0^{\circ}-20'RT$



County Seneca S.R.-U.S. 23

Township LONDON

Section 19

T N, R E

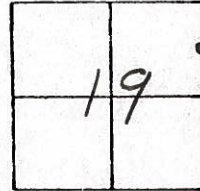
Personnel HOFFMAN
Householder

#29

Date 6-24-81

Weather cloudy

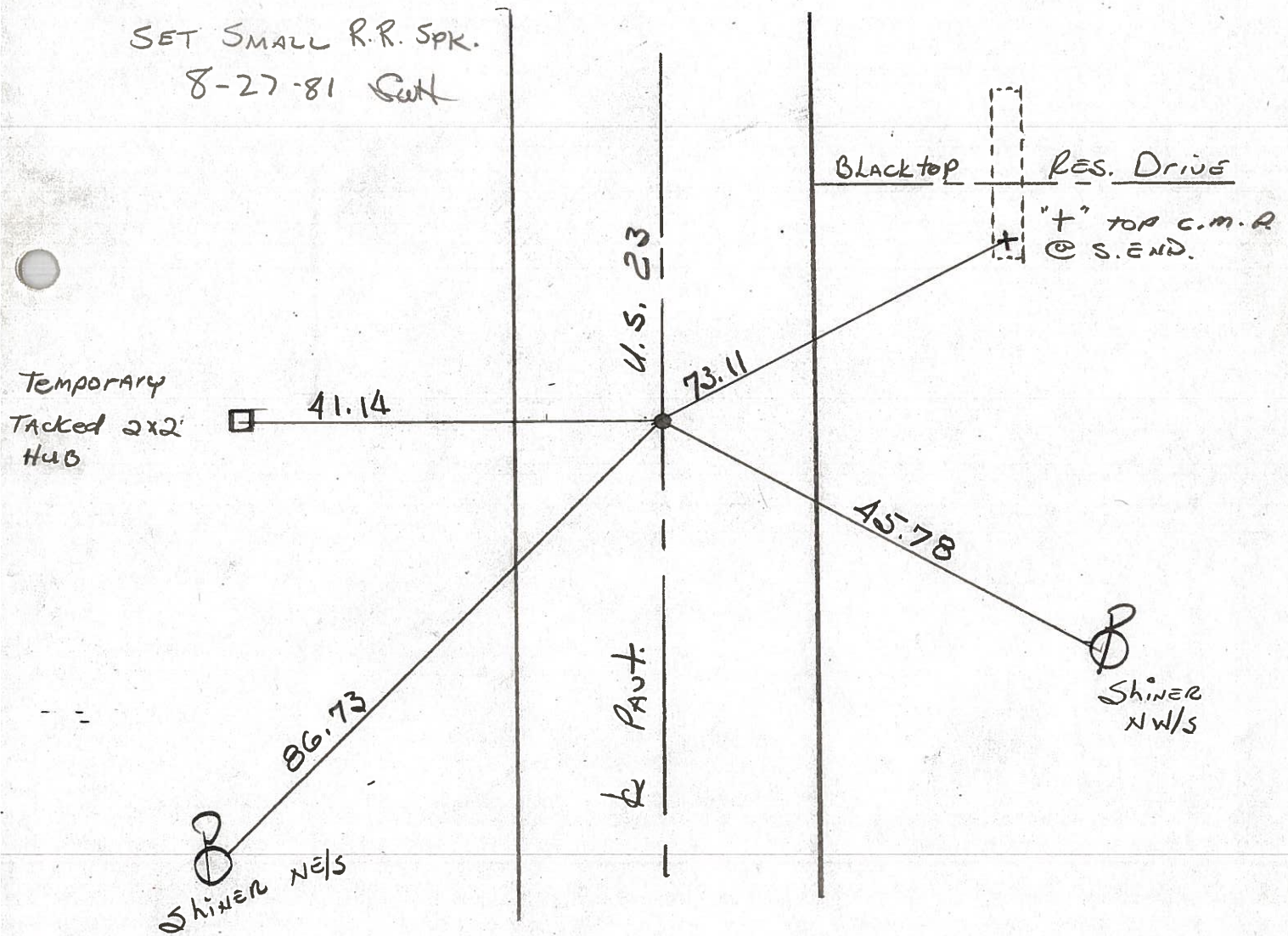
Temp. +75°



Fd. P.K. NAIL/WASHER @ SURFACE
@ ctr. of PAUT.

PROJECT STA. ± 488 + 97

SET SMALL R.R. SPK.
8-27-81 SWH



P. I. STA. 489 + 86.19 - Δ = 0° 20' RT ~ REC.

PERSONNEL	TITLE	PERSONNEL	TITLE	COUNTY	DATE
Schneider				Seneca	8-27-6
Mosser				S. R. U.S. 23	WEATHER Fair
Barbour				SEC. Wyandot Co. Line No.	TEMP. 75°
Potts					

DESCRIPTION Ties for Control Points JOB NO. _____

