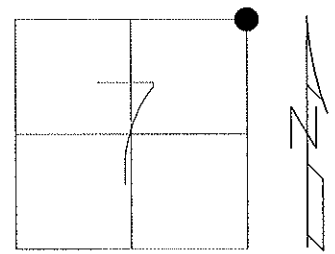


O.D.O.T. DISTRICT 2 SURVEY OFFICE (USE ONLY)

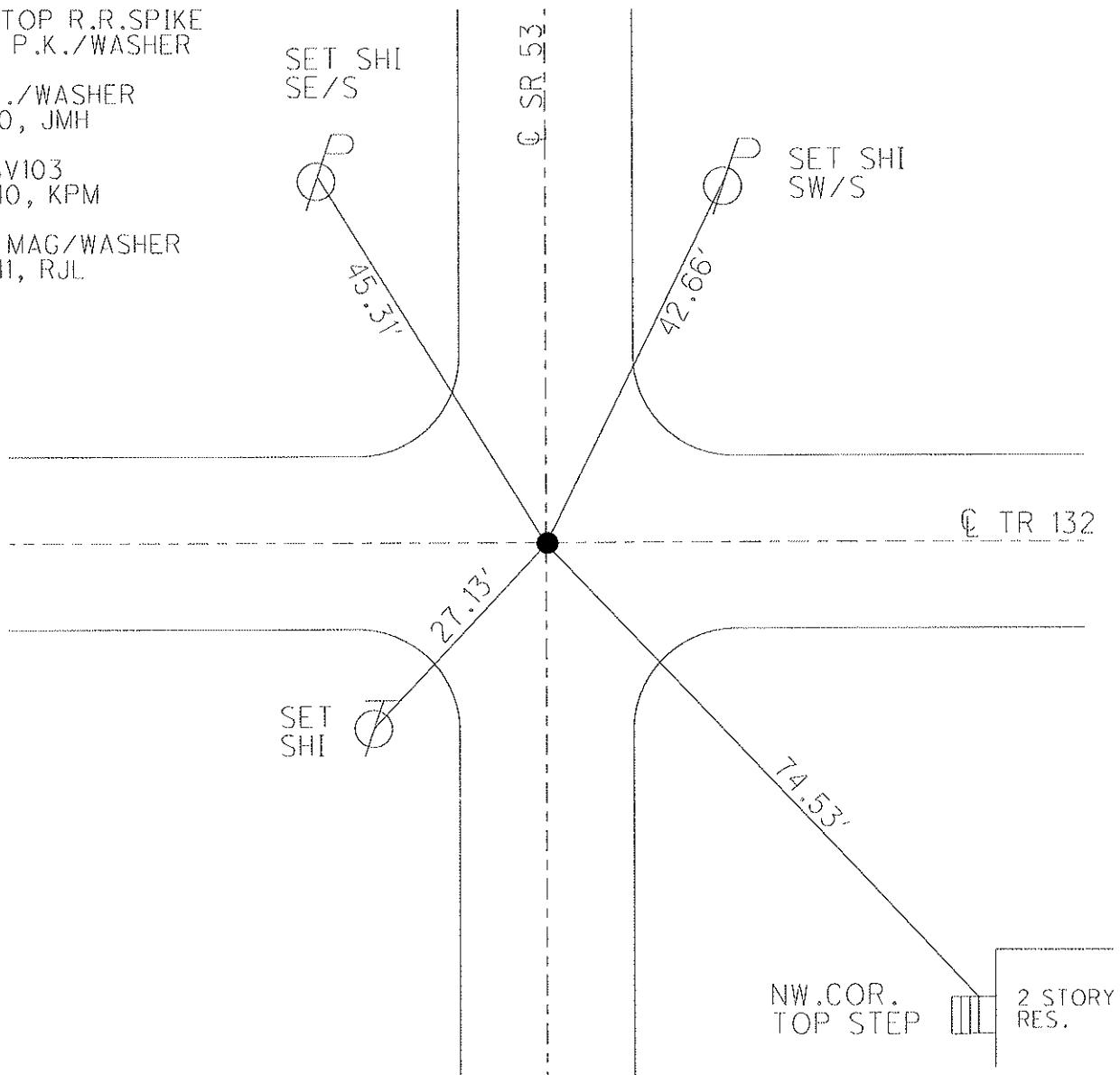
PERSONNEL	REFERENCE NO. <u>59</u>	SHEET <u>5</u> OF <u>26</u>
NOTES <u>MOSE</u>	DATE <u>6/14/11</u>	ROUTE <u>SR 53</u>
H.C. <u>LUMBREZER</u>	WEATHER <u>CLOUDY</u>	COUNTY <u>SENECA</u>
R.C. <u>HARBAUGH</u>	TEMP. <u>70°</u>	TOWNSHIP <u>CLINTON</u>
		SECTION <u>7</u>
		T <u>2</u> N R <u>15</u> E

TYPE MONUMENT P.K./WASHER
 ON SURFACE - ~~BELOW~~ ON
 LEFT - Q PAV'T - RIGHT ON
11.7' TO RT EDGE PAVEMENT
 S.L.M. 642+85.44



Grid: Northing: 542307.5066 Easting: 1784349.2414

P.K. ATOP R.R. SPIKE
 BELOW P.K./WASHER
 FD P.K./WASHER
 5/21/10, JMH
 GPS, SV103
 5/26/10, KPM
 RESET MAG/WASHER
 9/28/11, RJL



O.D.O.T. DISTRICT 2 SURVEY OFFICE

PERSONNEL

REFERENCE NO. _____

SHEET 6 OF 21

NOTES Cronin

H.C. Barbour

R.C. Geyman

DATE 6/30/88

WEATHER sunny

TEMP. 60°

ROUTE #53

COUNTY Seneca

TOWNSHIP Clinton

SECTION 7

T. 2 N. R. 15 E.

TYPE MONUMENT P.K. & Washer

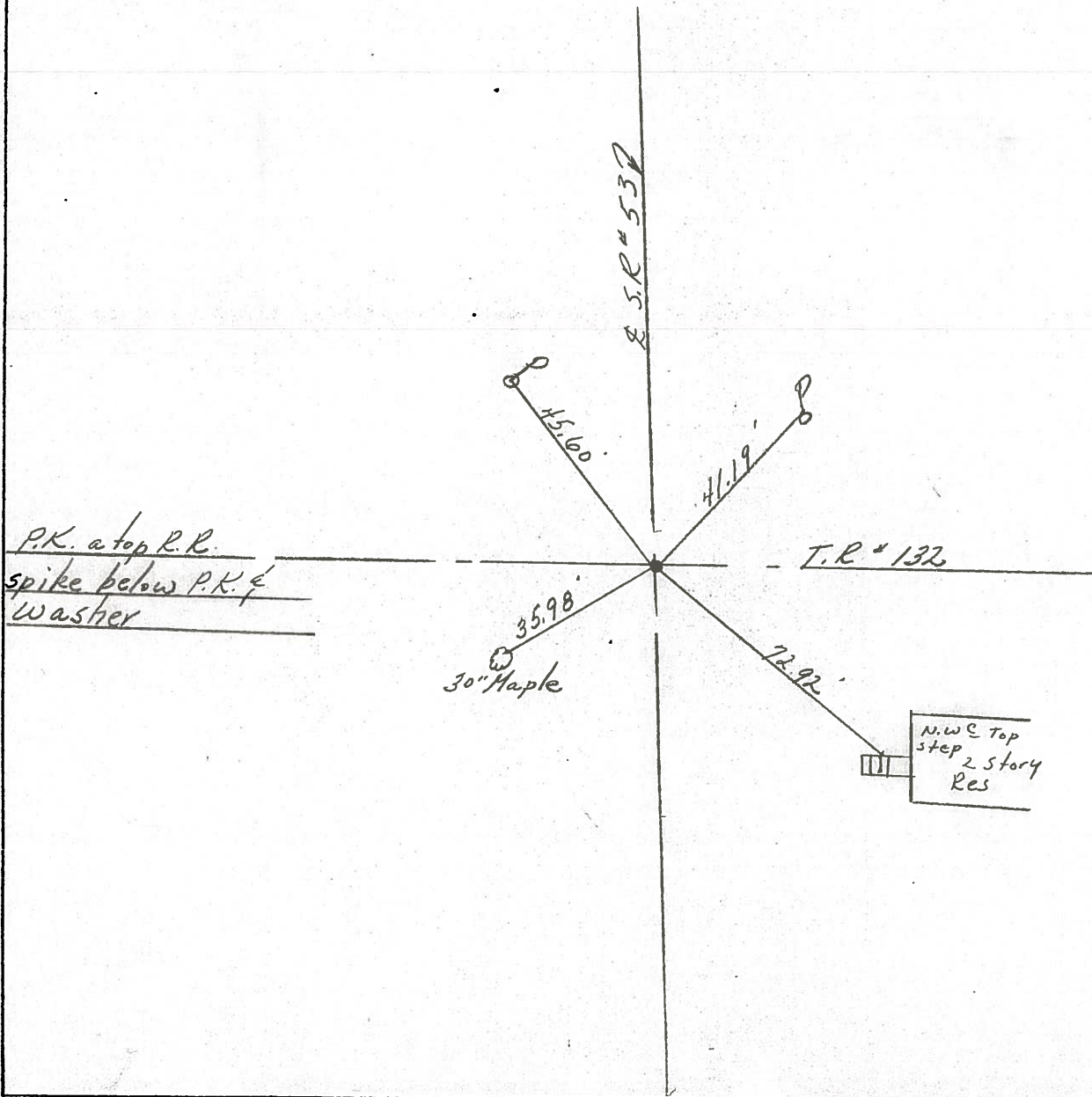
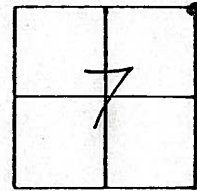
ON SURFACE - BELOW _____

LEFT - ☉ PAV'T. - RIGHT _____

TO _____ EDGE PAVEMENT

S.L.M. ^{sta.} 642+79.63

(59)



ODOT. DISTRICT 2 SURVEY OFFICE

Sht. ___ of ___

County Seneca S.R. 53

Date 30 July 80

Township Clinton

Weather Woods

Section 6 | 5
7 | 8

Temp. 78°

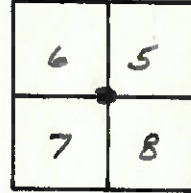
T N, R E

Personnel I. Stone

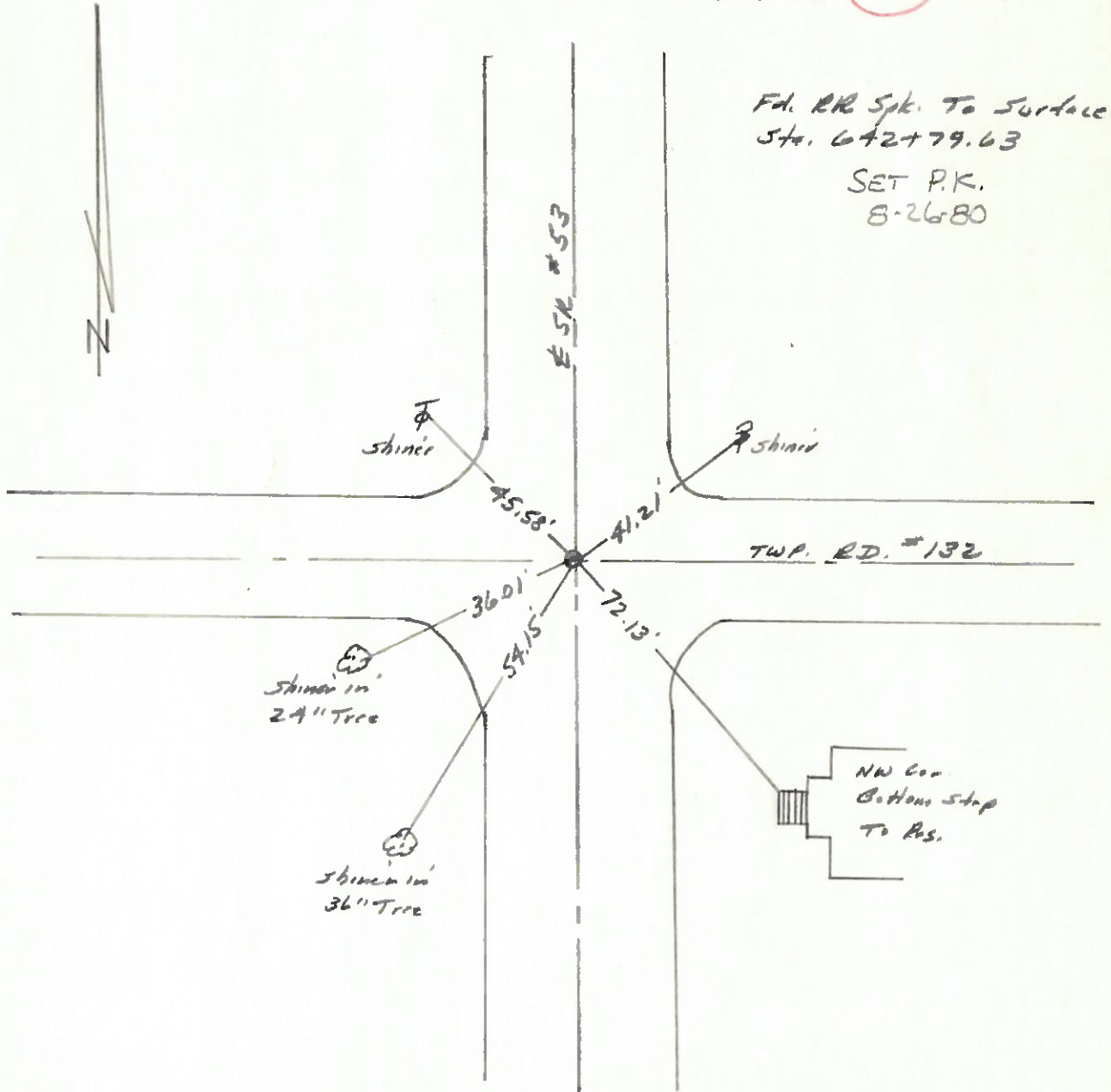
R. Michalak

D. Curtis

P. Neuser



Ref No. 59



PERSONNEL TITLE PERSONNEL TITLE
 Schneider _____
 Mosser _____
 Barbour _____

COUNTY Seneca DATE 3-20-79

S. R. 53 WEATHER Fair

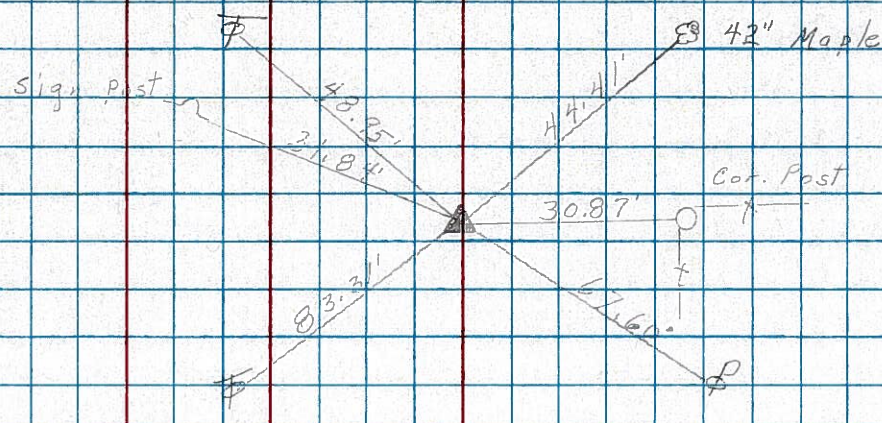
SEC. 186 TEMP. 55°

DESCRIPTION Tiffin to Sandusky Co. Line JOB NO.

LEFT CENTER LINE RIGHT

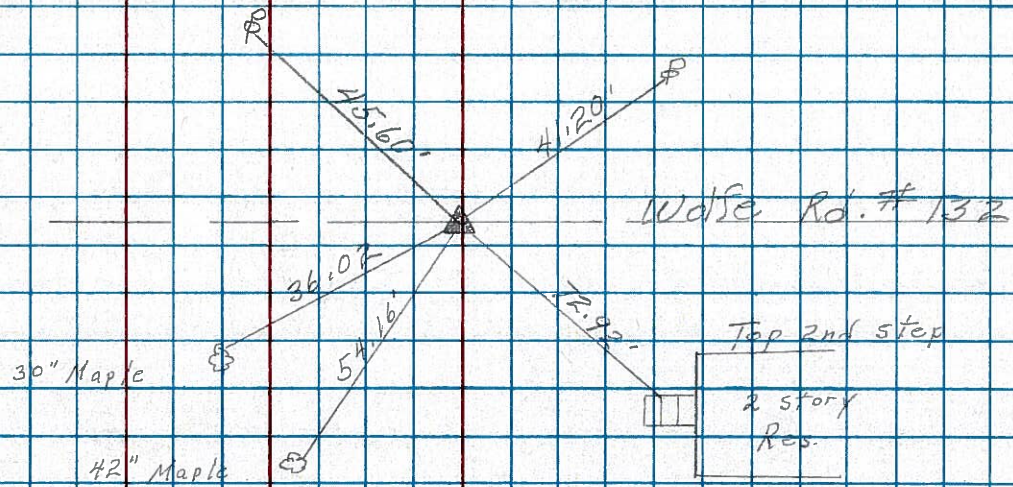
60

P.I.
 669+33.75
 small spk.



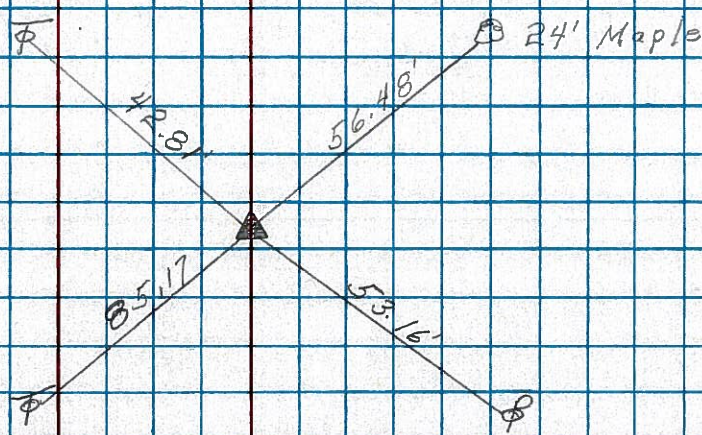
59

P.I.
 642+79.25
 small spk.



58

P.I.
 616+31.69 SAM
 Small spk.



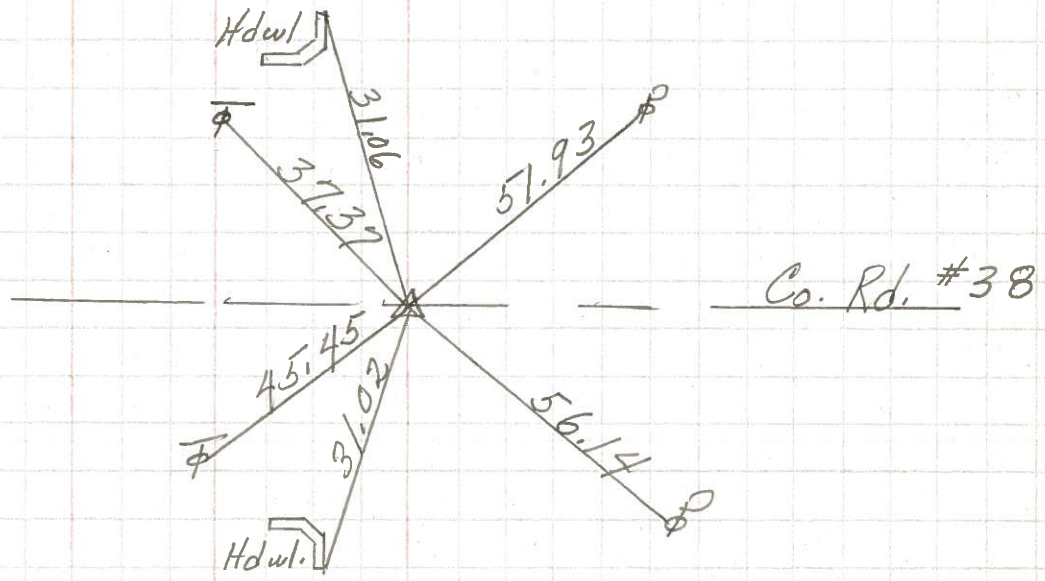
PERSONNEL	TITLE	PERSONNEL	TITLE	COUNTY	DATE
Schneider				Seneca	9-18-69
Mosser				S. R. 53	WEATHER Fair
Borbour				SEC. Tiffin to Sen. Co. Line	TEMP. 60°
Potts					

DESCRIPTION Ties for Control Points JOB NO. _____

(61)

695+38.31
small spk.

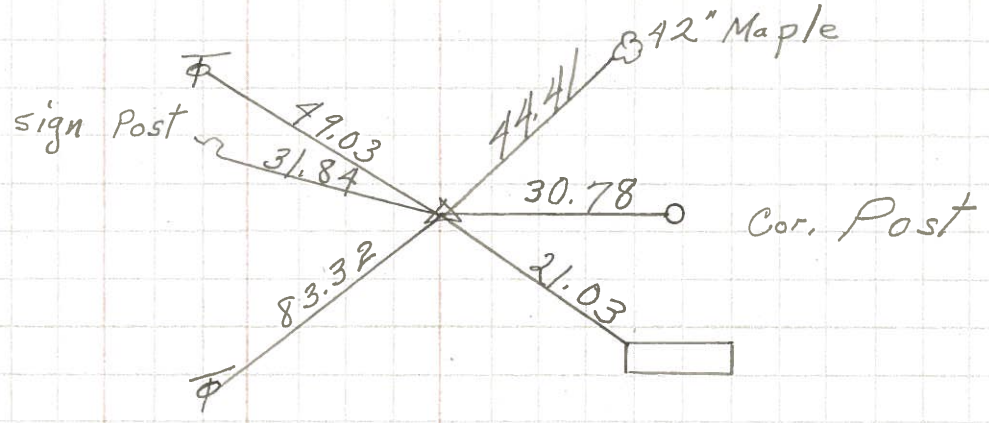
8376



(60)

P.I.
669+33.75
small spk.

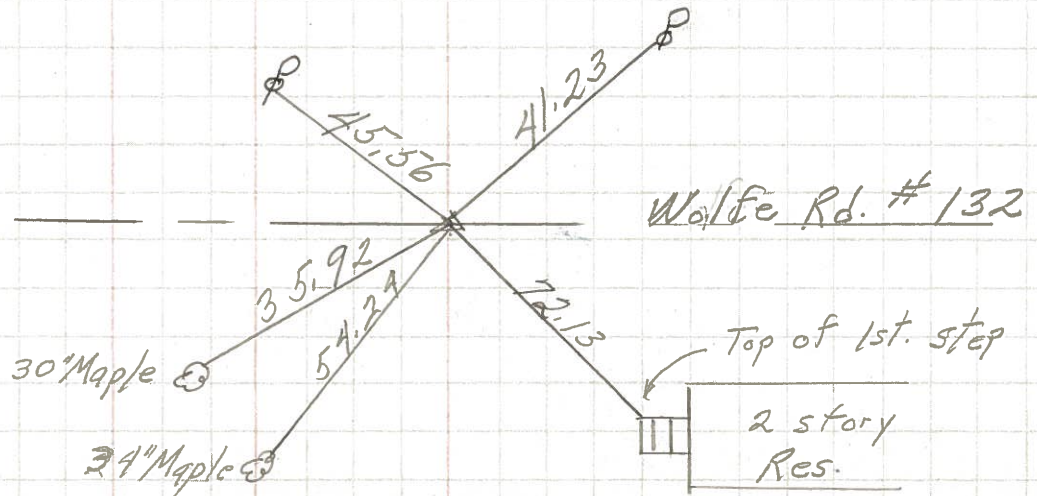
8375



(59)

642+79.65
small spk

0274



PERSONNEL TITLE PERSONNEL TITLE

COUNTY Seneca DATE _____

Krabill
Kawaleski
Geyman

S. R. 53 WEATHER _____

SEC. _____ TEMP. _____

DESCRIPTION _____ JOB NO. _____

Clinton Twp

