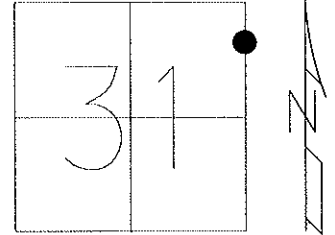


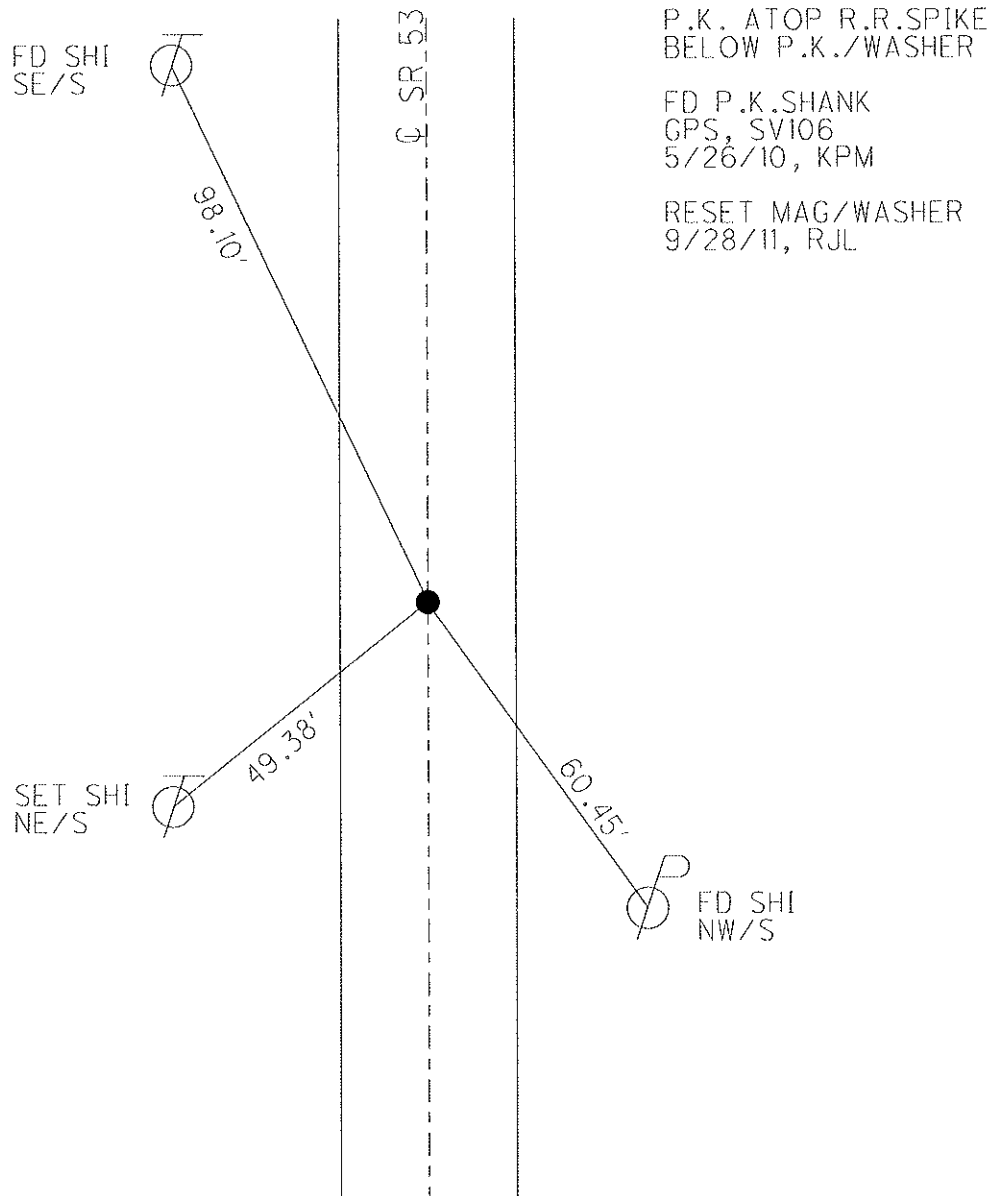
O.D.O.T. DISTRICT 2 SURVEY OFFICE

PERSONNEL	REFERENCE NO. <u>62</u>	SHEET <u>8</u> OF <u>26</u>
NOTES <u>MOSE</u>	DATE <u>6/14/11</u>	ROUTE <u>SR 53</u>
H.C. <u>LUMBREZER</u>	WEATHER <u>CLOUDY</u>	COUNTY <u>SENECA</u>
R.C. <u>HARBAUGH</u>	TEMP. <u>70°</u>	TOWNSHIP <u>PLEASANT</u>
		SECTION <u>31</u>
		T <u>3</u> N R <u>15</u> E

TYPE MONUMENT P.K. SHANK
~~ON SURFACE~~ - BELOW 2 1/2"
 LEFT - Q PAV'T - RIGHT ON
11.7' TO LT EDGE PAVEMENT
 S.L.M. 729+55.33



Grid: Northing: 550975.2094 Easting: 1784465.9041



O.D.O.T. DISTRICT 2 SURVEY OFFICE

PERSONNEL

REFERENCE NO. _____

SHEET 9 OF 21

NOTES Cronin

H.C. Barbour

R.C. Geyman

DATE 6/30/88

WEATHER sunny

TEMP. 60°

ROUTE #53

COUNTY Seneca

TOWNSHIP Pleasant

SECTION 31

T 3 N R 15 E

TYPE MONUMENT P.K. & washer

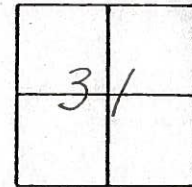
ON SURFACE - BELOW _____

LEFT- & PAV T. - RIGHT _____

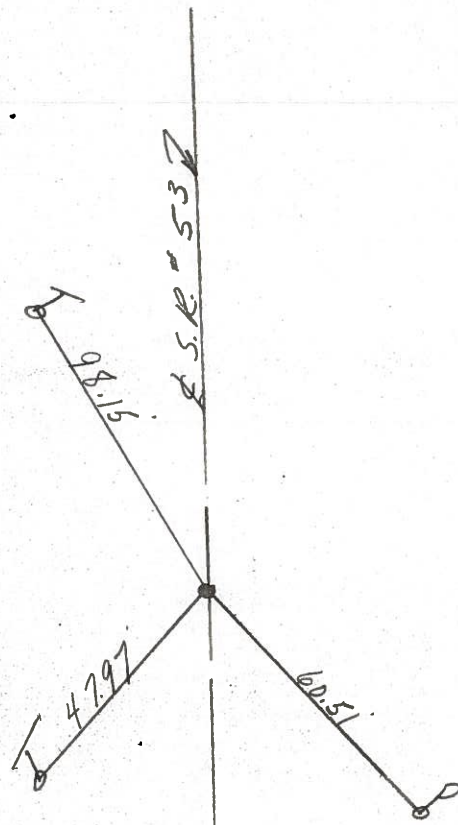
TO _____ EDGE PAVEMENT

S.L.M. Sta. 729 + 48.88

(62)



P.K. at top R.R. Spike
below P.K. & washer



Q.D.O.T. DISTRICT 2 SURVEY OFFICE

Sht. ___ of ___

County Seneca S.R. 53

Date 31 July 80

Township Pleasant

Weather Warm

Section 31/32

Temp. 81°

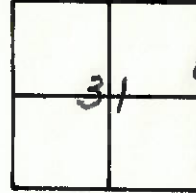
T N, R E

Personnel L. Stone

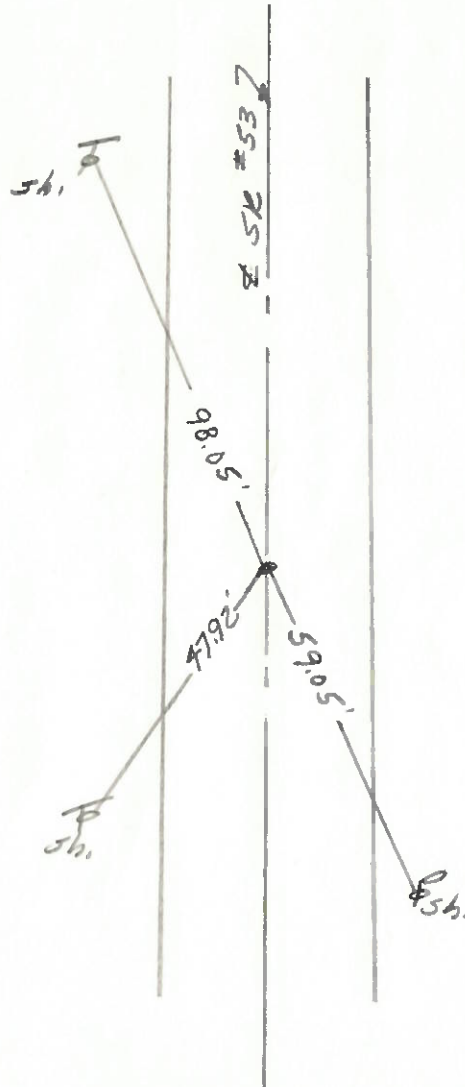
P. Newser

D. Curtis

R. Michalak



Ref. No. 62



Fd. RR Spk. To Surface
 Sta. 729+48.88
 12.3' to E. edge put.
 12.1' to W. edge put.

SET P.K.
 8-26-80
 SMITH

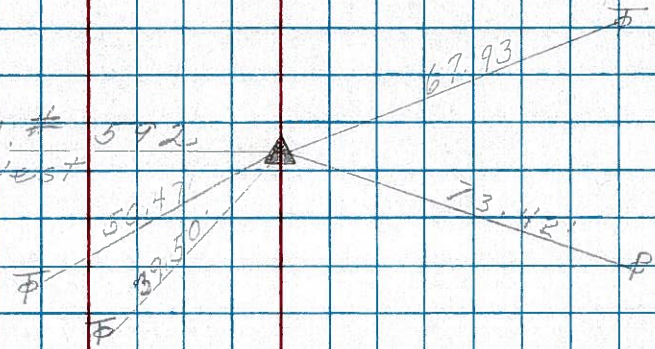
PERSONNEL	TITLE	PERSONNEL	TITLE	COUNTY	DATE
Schneider				Seneca	3-20-79
Mosser				S. R. 53	WEATHER Fair
Barbour				SEC. 29, 30 & 31, 32	TEMP. 55°

DESCRIPTION Tiffin to Sandusky Co. Line JOB NO. _____

63

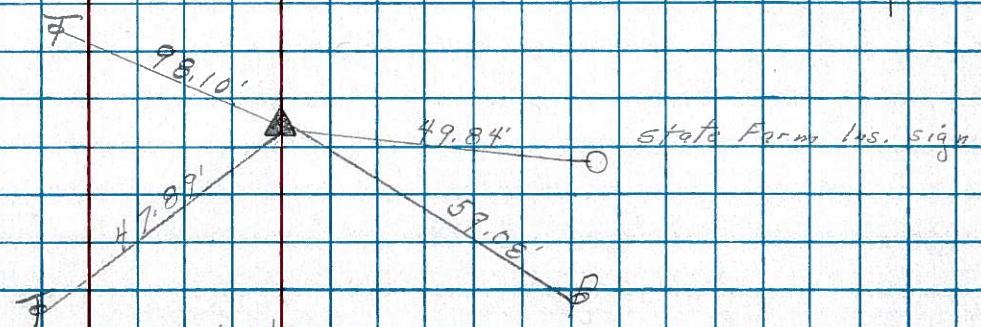
P.I.
745+41.90
small spk.

Co. Rd. # 592
West



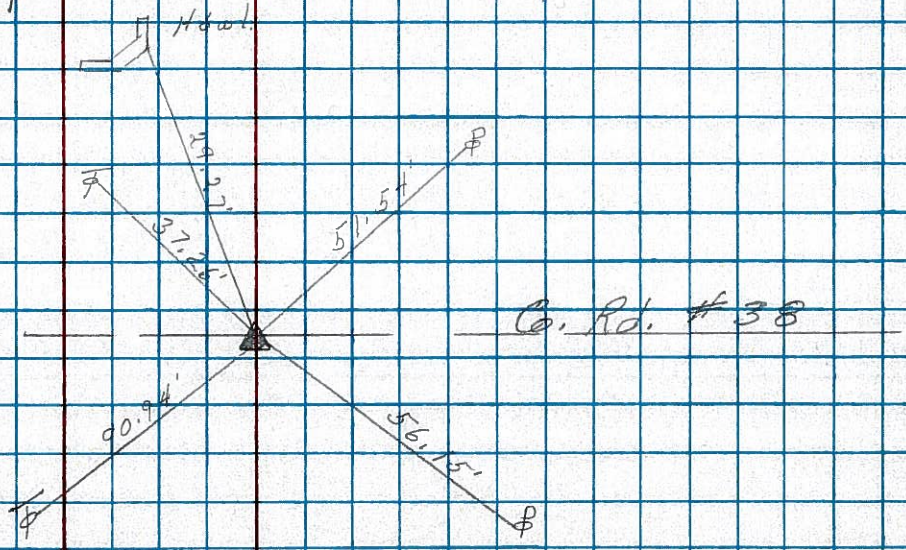
62

P.I.
729+48.88
small spk.



61

P.I.
695+38.31
small spk.



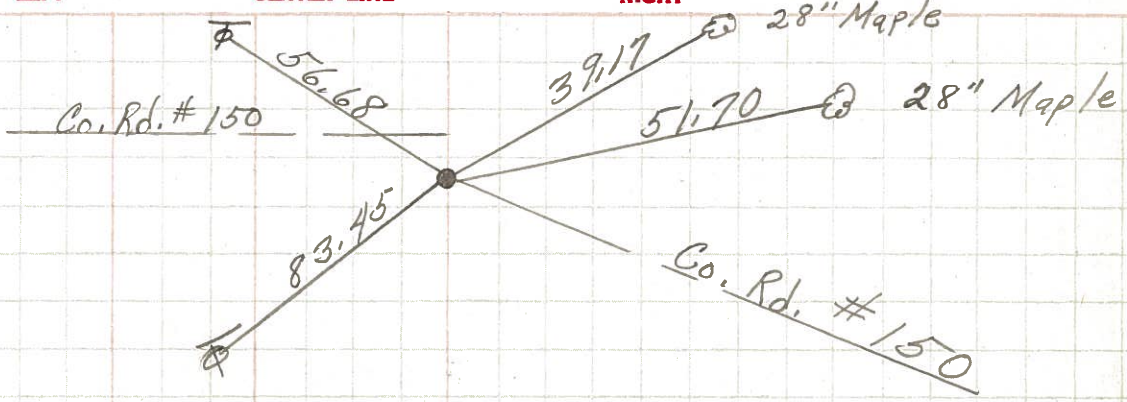
PERSONNEL	TITLE	PERSONNEL	TITLE	COUNTY	DATE
<u>Schneider</u>				<u>Seneca</u>	<u>9-18-69</u>
<u>Mosser</u>				S. R. <u>53</u>	WEATHER <u>Fair</u>
<u>Barbour</u>				SEC. <u>Tiffin to Sen. Co. line</u>	TEMP. <u>65°</u>
<u>Potts</u>					

DESCRIPTION Ties for Control Points JOB NO. _____

LEFT CENTER LINE RIGHT

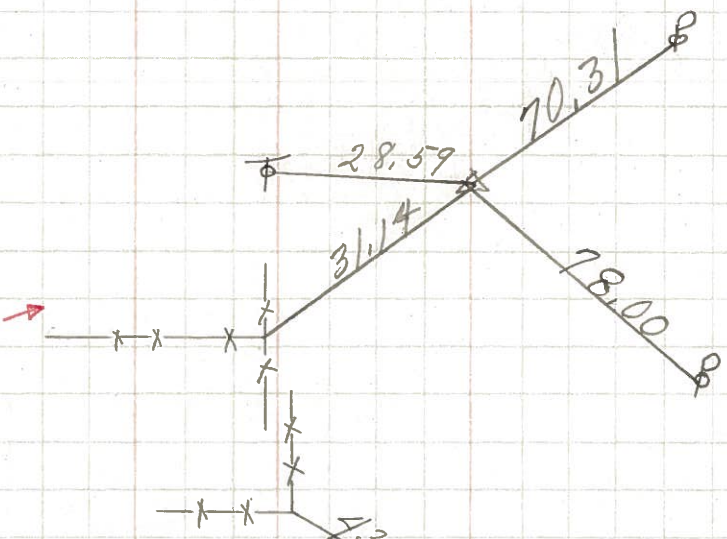
(65)

798+66.03
Small spk.
8380



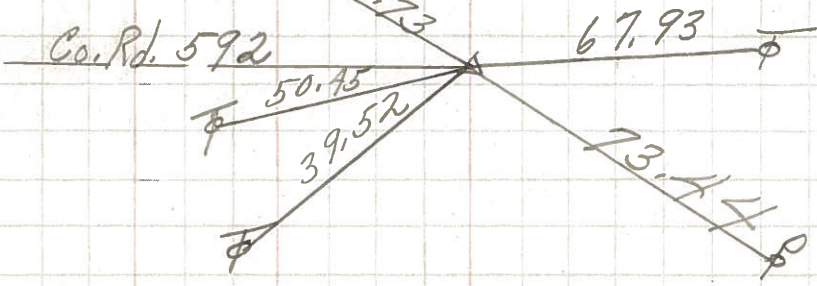
(64)

772+03.71
Small spk.
8379



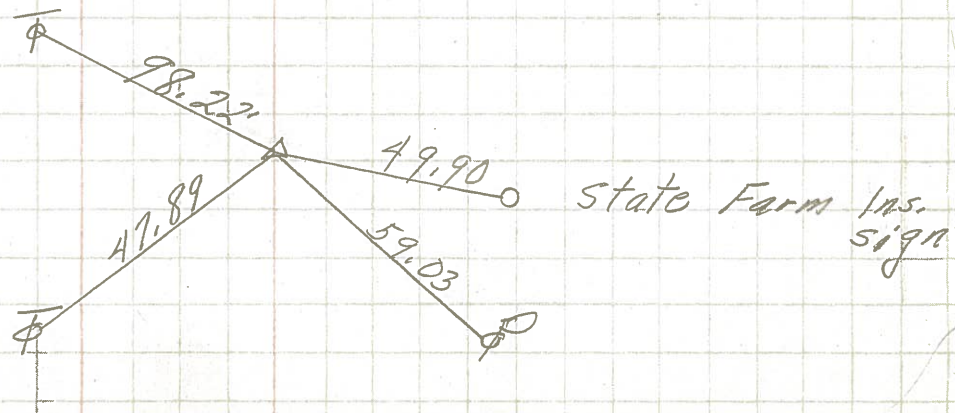
(63)

745+41.90
Small spk.
8378



(62)

729+48.88
Small spk.
8377



PERSONNEL	TITLE	PERSONNEL	TITLE	COUNTY	DATE
Krabill				Seneca	
Kawalaski				S. R. 53	WEATHER
Geyman				SEC.	TEMP.
DESCRIPTION				Clinton Twp	JOB NO.

