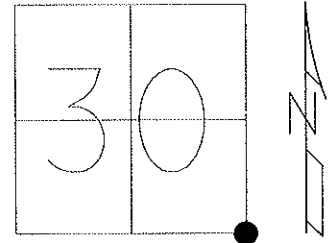


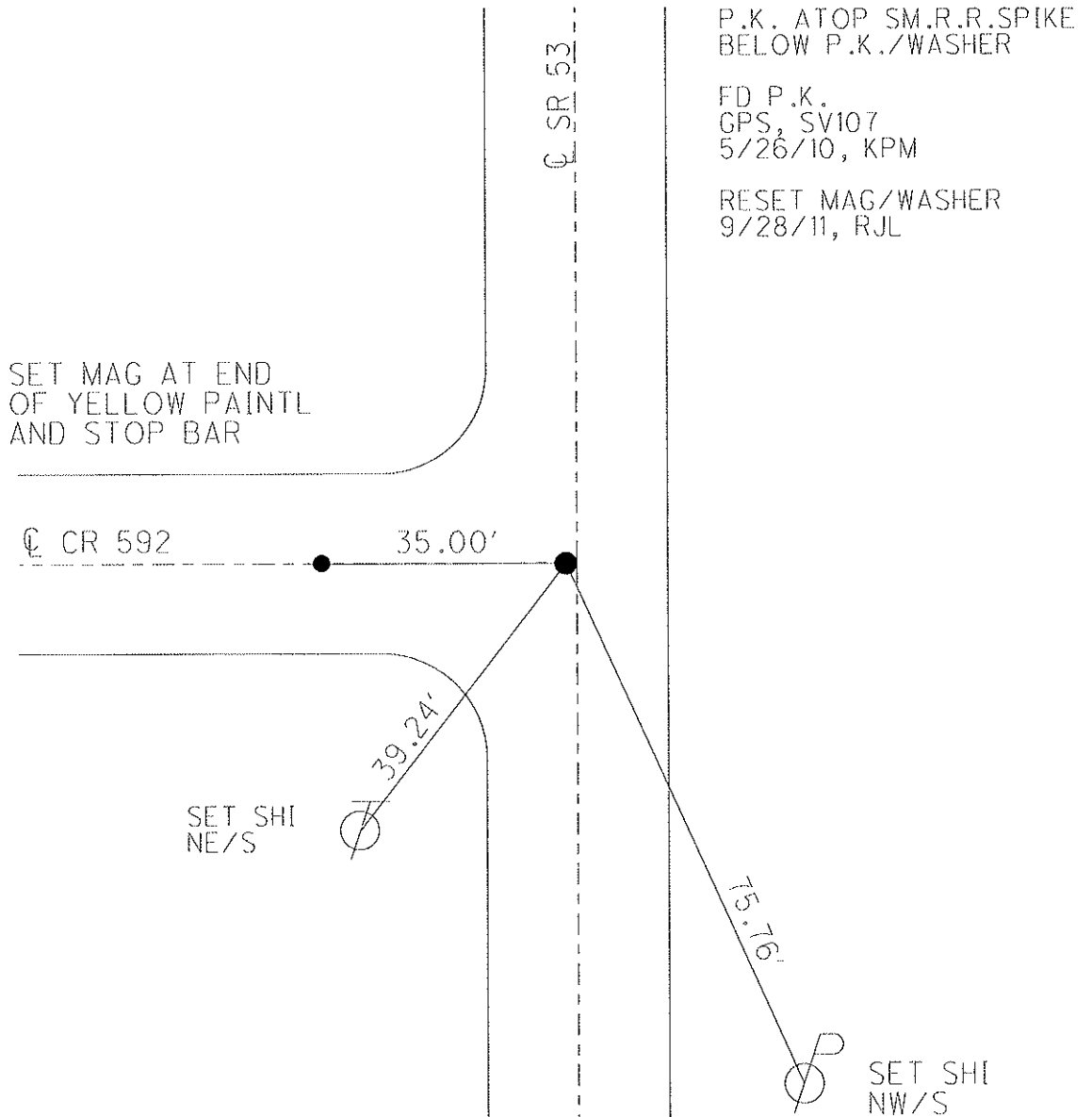
O.D.O.T. DISTRICT 2 SURVEY OFFICE (USE ONLY)

PERSONNEL	REFERENCE NO. <u>63</u>	SHEET <u>9</u> OF <u>26</u>
NOTES <u>MOSER</u>	DATE <u>6/14/11</u>	ROUTE <u>SR 53</u>
H.C. <u>LUMBREZER</u>	WEATHER <u>CLOUDY</u>	COUNTY <u>SENECA</u>
R.C. <u>HARBAUGH</u>	TEMP. <u>70°</u>	TOWNSHIP <u>PLEASANT</u>
		SECTION <u>30</u>
		T <u>3</u> N R <u>15</u> E

TYPE MONUMENT _____ P.K./WASHER _____
~~ON SURFACE~~ - BELOW 4' _____
 LEFT - Q PAV'T - ~~RIGHT~~ 1.4' _____
10.2' TO LT EDGE PAVEMENT _____
 S.L.M. 745+48.54 _____



Grid: Northing: 552568.3558 Easting: 1784451.7579



O.D.O.T. DISTRICT 2 SURVEY OFFICE

PERSONNEL

REFERENCE NO. 10

SHEET 10 OF 21

NOTES Cronin

H.C. Ripple

R.C. Barbour

Geyman

DATE 8/25/88

WEATHER Sunny

TEMP. 65°

ROUTE # 53

COUNTY Seneca

TOWNSHIP Pleasant

SECTION 30

T3 N R 15 E

TYPE MONUMENT P.K. & washer

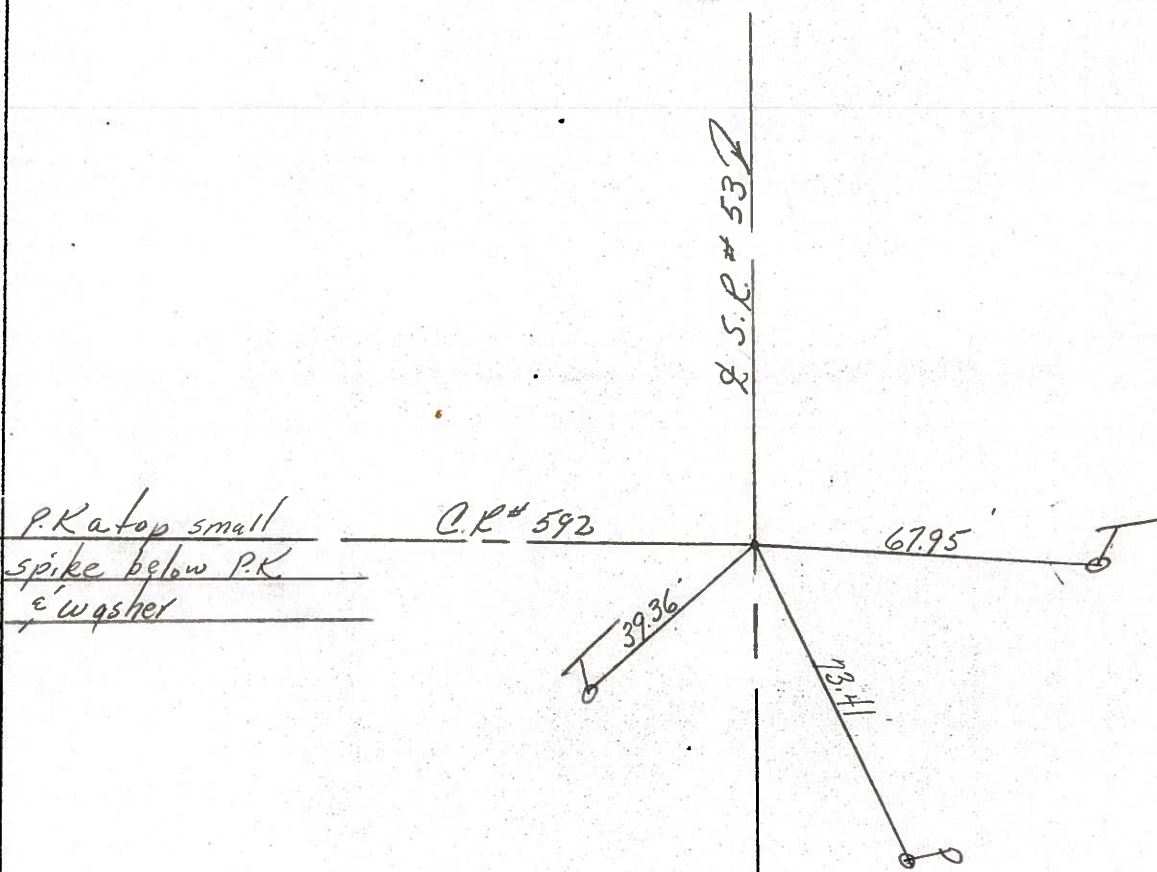
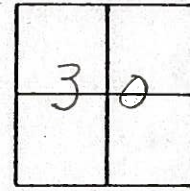
ON SURFACE - BELOW _____

LEFT - & PAV'T. - RIGHT 2

TO _____ EDGE PAVEMENT

S.L.M. 745 + 41.90

(63)



Q.D.O.T. DISTRICT 2 SURVEY OFFICE

Sht. of

County Seneca S.R. 53

Date 31 July 80

Township Pleasant

Weather warm

Section 29-30-31-32

Temp. 81°

T_N, R_E

Personnel 1. Stone

P. Neuse

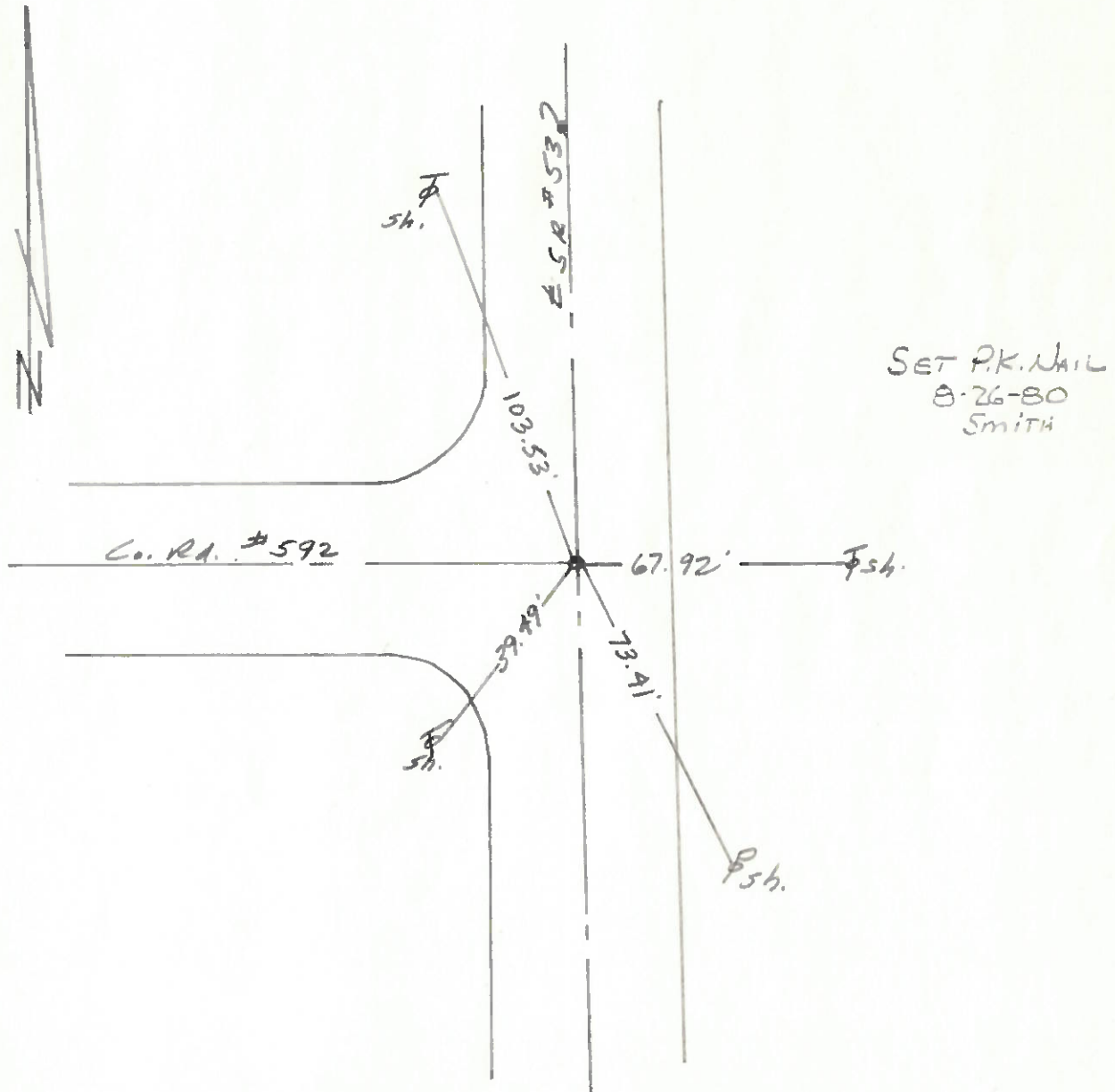
D. Curtis

R. Michalak

30	29
31	32



Ref. No. 63



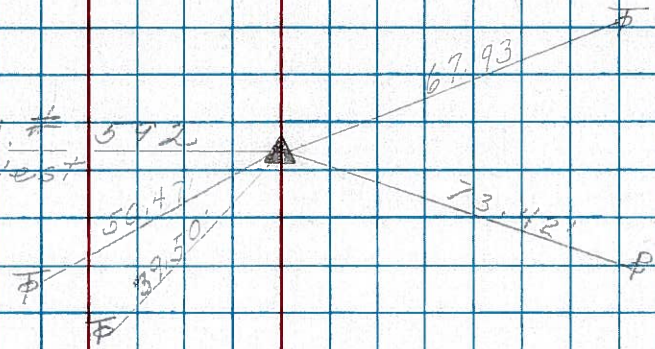
PERSONNEL	TITLE	PERSONNEL	TITLE	COUNTY	DATE
Schneider				Seneca	3-20-79
Mosser				S. R. 53	WEATHER Fair
Barbour				SEC. 29, 30 & 31, 32	TEMP. 55°

DESCRIPTION Tiffin to Sandusky Co. Line JOB NO. _____

63

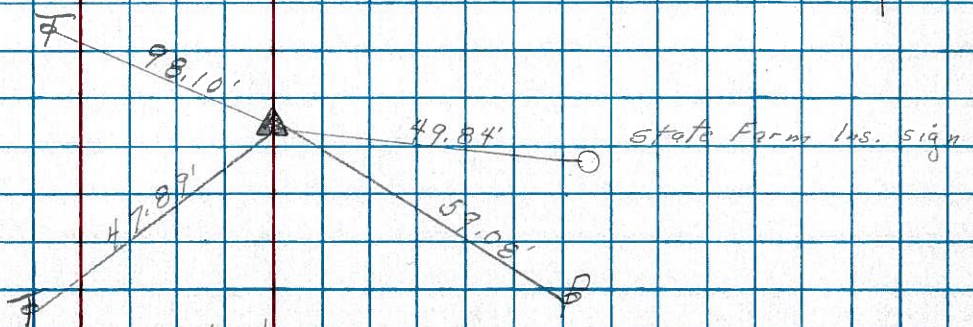
P.I.
745+41.90
small spk.

Co. Rd. # 372
west



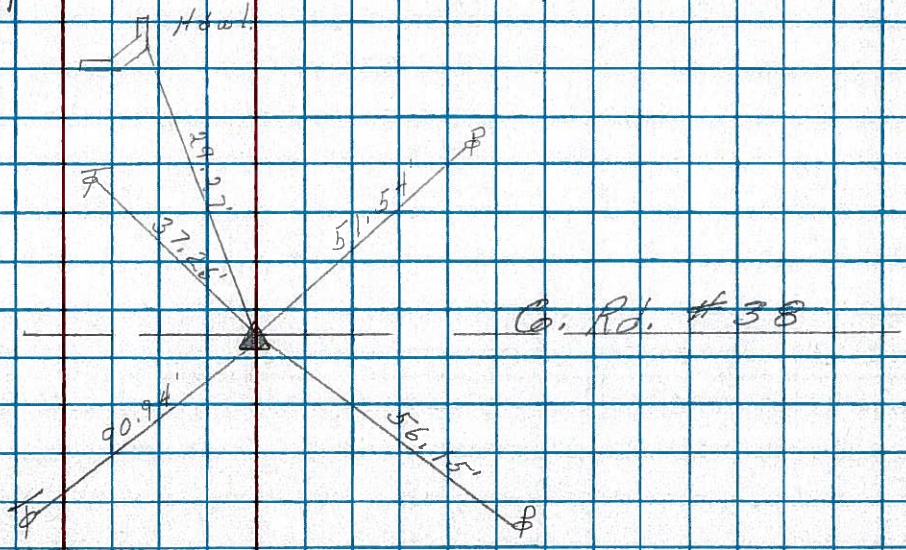
62

P.I.
729+48.88
small spk.



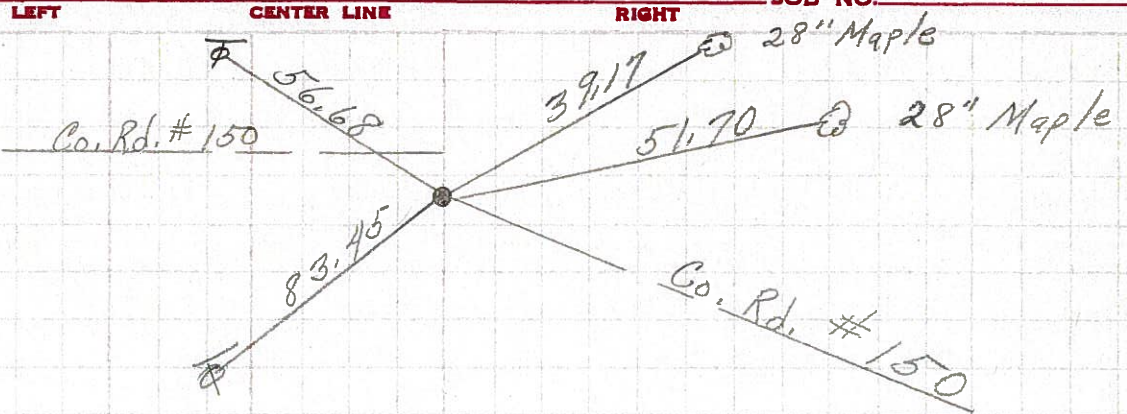
61

P.I.
695+38.31
small spk.

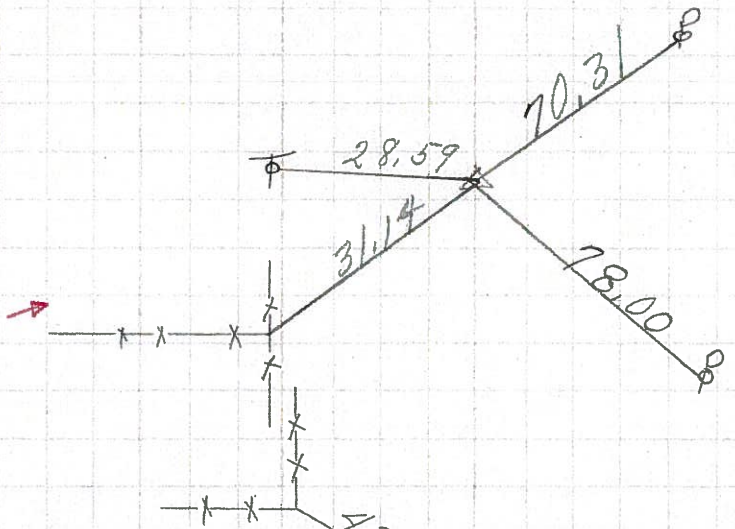


PERSONNEL	TITLE	PERSONNEL	TITLE	COUNTY	DATE
Schneider				Seneca	9-18-69
Mosser				S. R. 53	WEATHER Fair
Barbour				SEC. Tiffin to Sen. Co. line	TEMP. 65°
Potts					

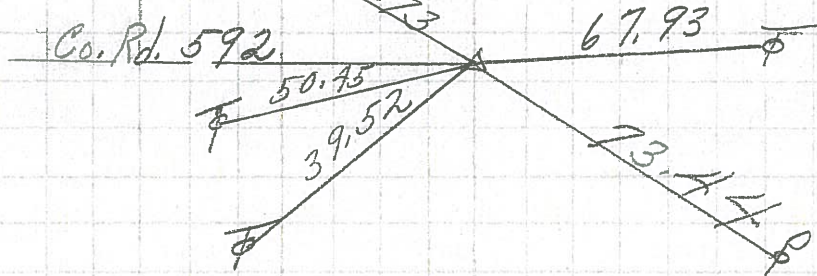
DESCRIPTION Ties for Control Points JOB NO. _____



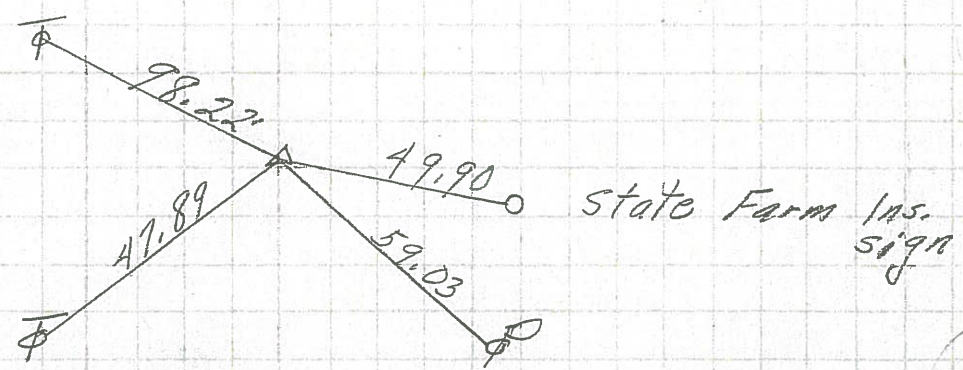
(65) 798+66.03
Small spk.
8380



(64) 772+03.71
Small spk.
8379



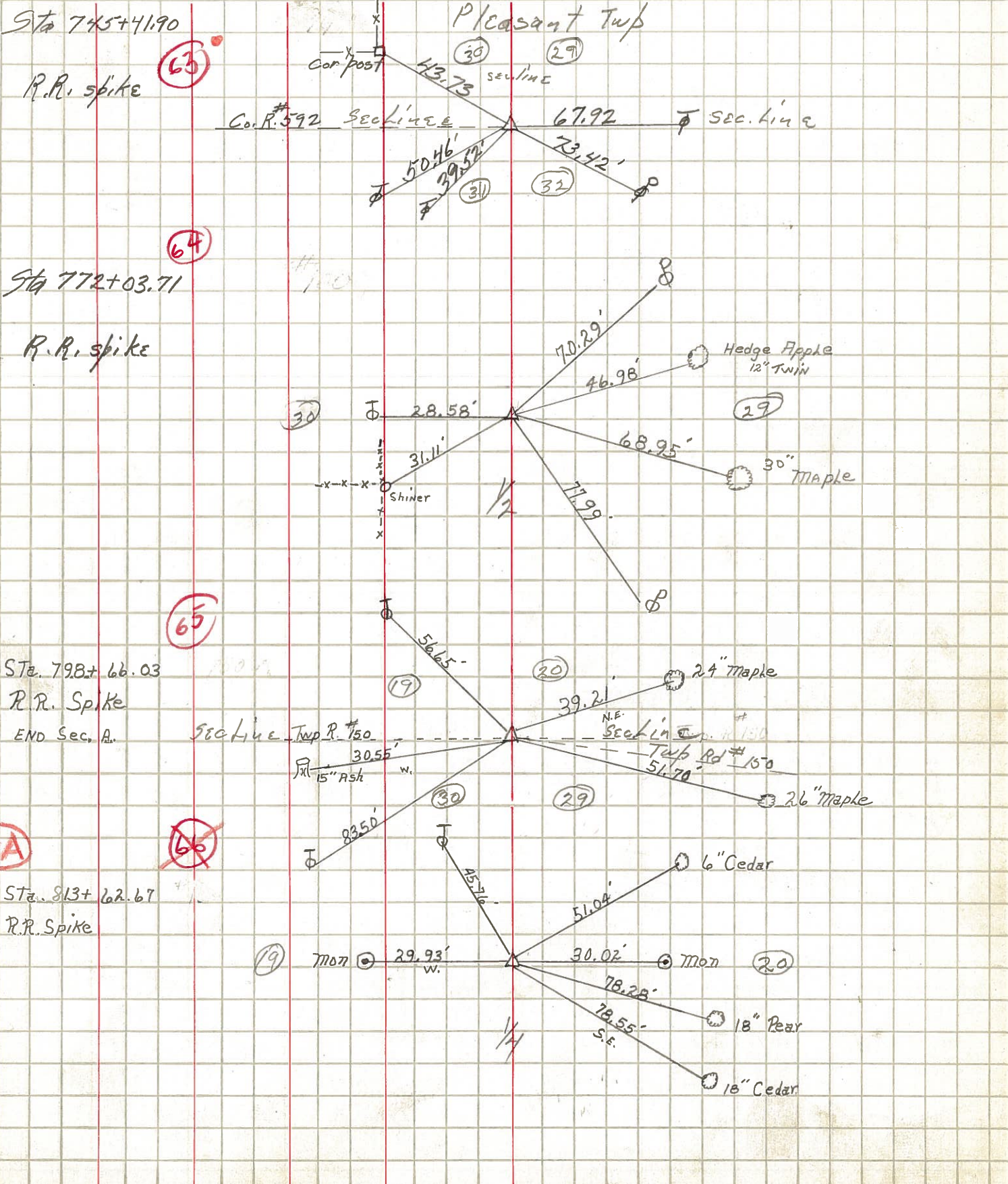
(63) 745+41.90
Small spk.
8378



(62) 729+48.88
Small spk.
8377

PERSONNEL	TITLE	PERSONNEL	TITLE	COUNTY	DATE
Krabill				Seneca	
Kowaleski				S. R. 53	WEATHER
Geyman				SEC. A-B-C	TEMP.

DESCRIPTION	LEFT	CENTER LINE	RIGHT	JOB NO.
-------------	------	-------------	-------	---------



65-A

~~66~~