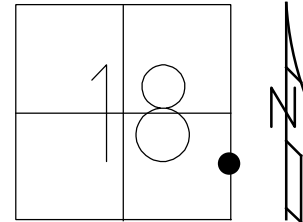


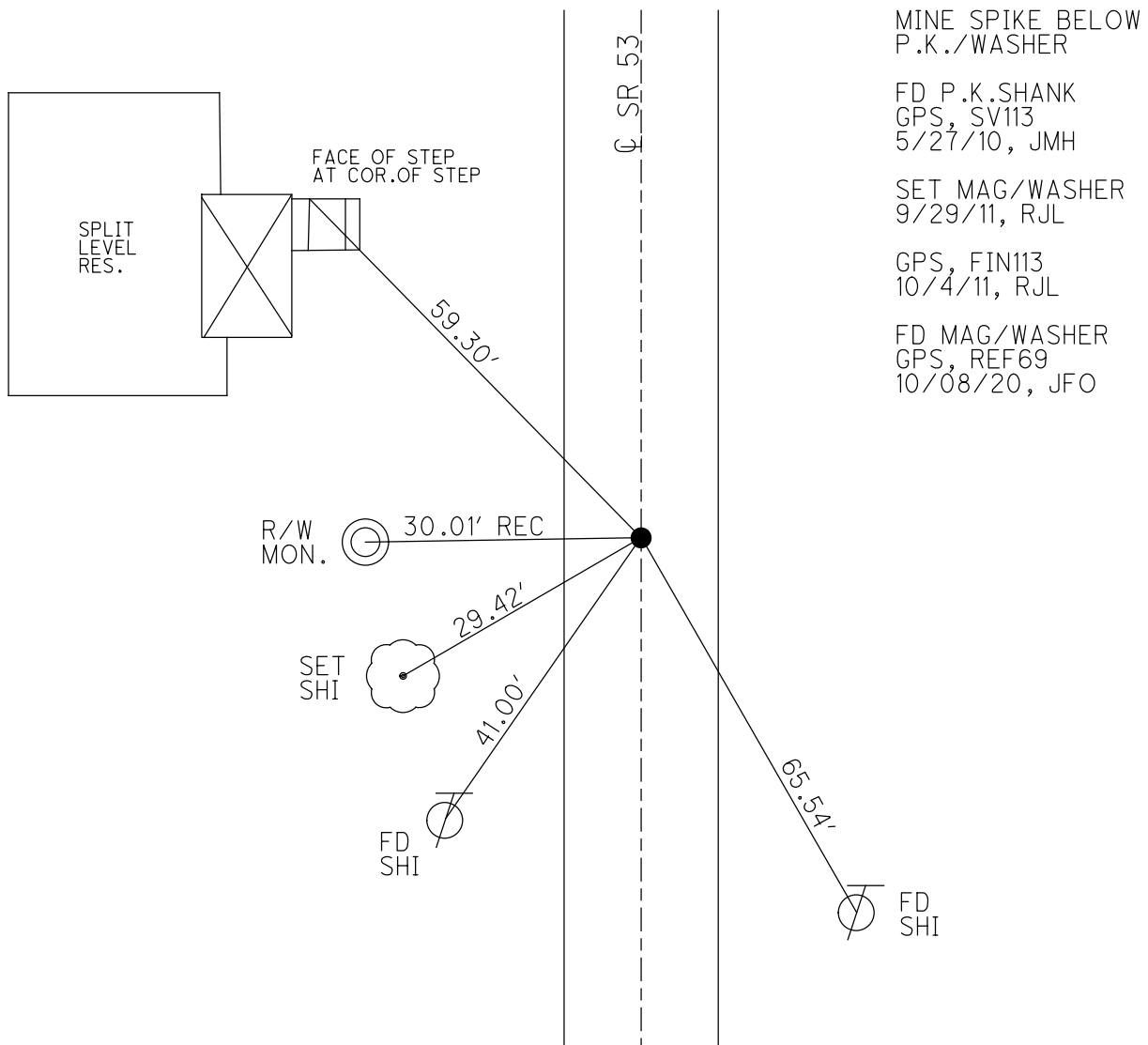
O.D.O.T. DISTRICT 2 SURVEY OFFICE (USE ONLY)

PERSONNEL	REFERENCE NO.	<u>69</u>	SHEET	<u>17</u>	OF	<u>26</u>
NOTES	<u>MOSER</u>	DATE	<u>6/14/11</u>	ROUTE	<u>SR 53</u>	
H.C.	<u>LUMBREZER</u>	WEATHER	<u>CLOUDY</u>	COUNTY	<u>SENECA</u>	
R.C.	<u>HARBAUGH</u>	TEMP.	<u>70°</u>	TOWNSHIP	<u>PLEASANT</u>	
				SECTION	<u>18</u>	
				<u>T 3 N</u>	<u>R 15 E</u>	

TYPE MONUMENT P.K./WASHER  
 ON SURFACE - ~~BELOW~~ ON  
 LEFT - Q PAV'T - RIGHT ON  
12.0' TO LT EDGE PAVEMENT  
 S.L.M. 870+68.15



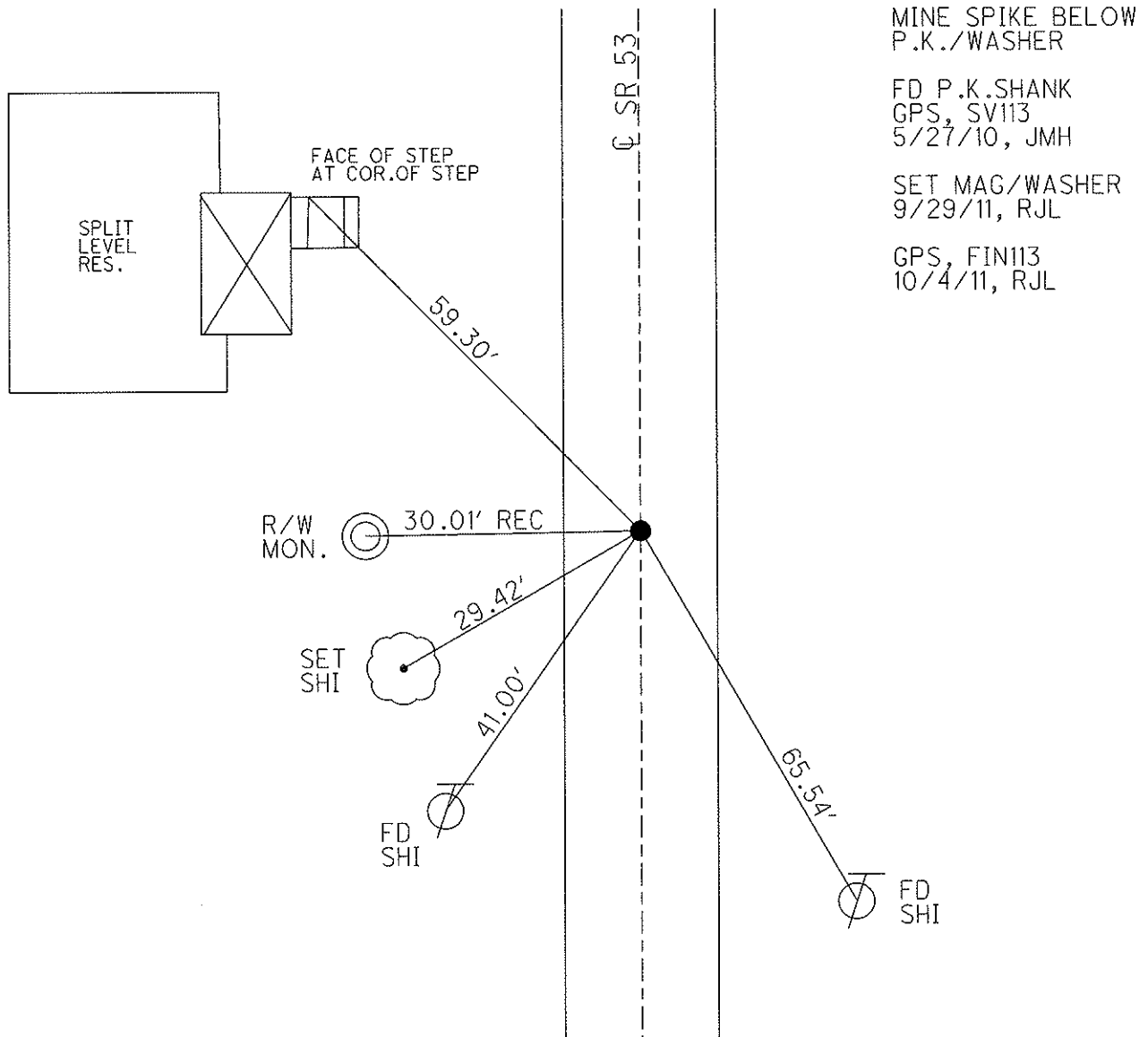
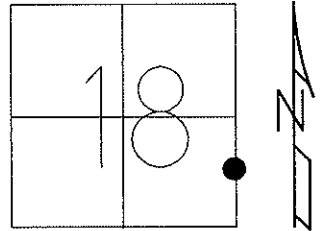
GRID: NORTHING: 565079.459 EASTING: 1784869.469



O.D.O.T. DISTRICT 2 SURVEY OFFICE (USE ONLY)

PERSONNEL	REFERENCE NO. <u>69</u>	SHEET <u>17</u> OF <u>26</u>
NOTES <u>MOSE</u>	DATE <u>6/14/11</u>	ROUTE <u>SR 53</u>
H.C. <u>LUMBREZER</u>	WEATHER <u>CLOUDY</u>	COUNTY <u>SENECA</u>
R.C. <u>HARBAUGH</u>	TEMP. <u>70°</u>	TOWNSHIP <u>PLEASANT</u>
		SECTION <u>18</u>
		T <u>3</u> N R <u>15</u> E

TYPE MONUMENT P.K./WASHER  
 ON SURFACE - ~~BELOW~~ ON  
 LEFT - Q PAV'T - RIGHT ON  
12.0' TO LT EDGE PAVEMENT  
 S.L.M. 870+68.15  
 Grid: Northing: 566052.7073 Easting: 1784865.9460



O.D.O.T. DISTRICT 2 SURVEY OFFICE

PERSONNEL

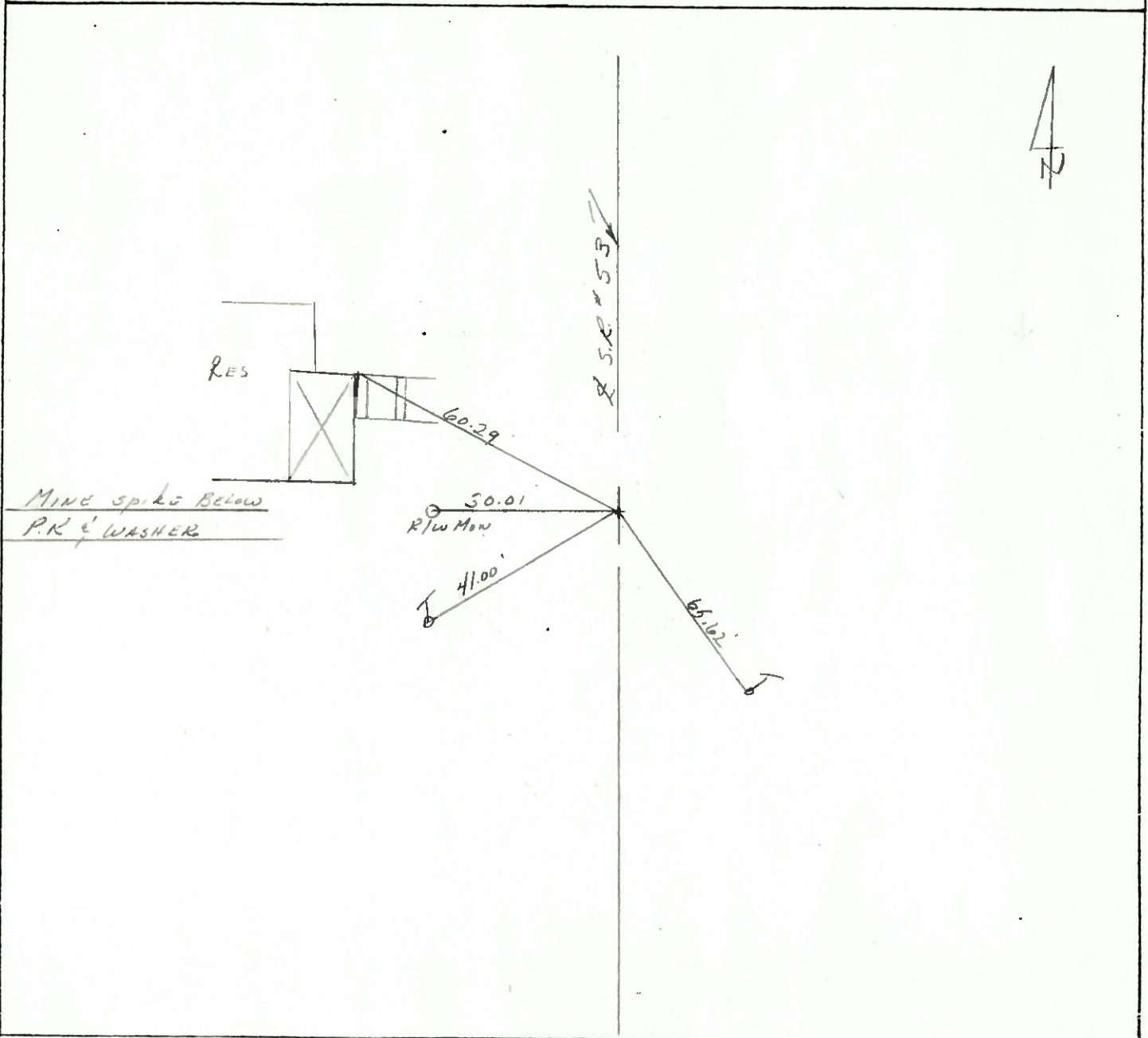
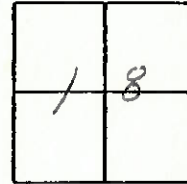
NOTES CRONIN  
H.C. RIFFLE  
R.C. BARBOUR  
GEYMAN

REFERENCE NO. 69  
DRAW 9/12/88 RAIN  
DATE 8/31/88  
WEATHER SUNNY  
TEMP. 60°

SHEET 18 OF 21

ROUTE # 53  
COUNTY SENECA  
TOWNSHIP PLEASANT  
SECTION 18  
T 3 N R 15 E

TYPE MONUMENT P.K. WASHER  
ON SURFACE - BELOW \_\_\_\_\_  
LEFT - ¢ PAV'T. - RIGHT \_\_\_\_\_  
\_\_\_\_\_ TO \_\_\_\_\_ EDGE PAVEMENT  
S.L.M. 870 + 59.75





PERSONNEL TITLE PERSONNEL TITLE

Schneider

Cronin

COUNTY Seneca

DATE 7-5-77

Barbour

Ripple

S. R. 53

WEATHER Hot

Geyman

SEC. 18 & 17

TEMP. 90°

DESCRIPTION Tiffin to Sandusky Co. Line

JOB NO.

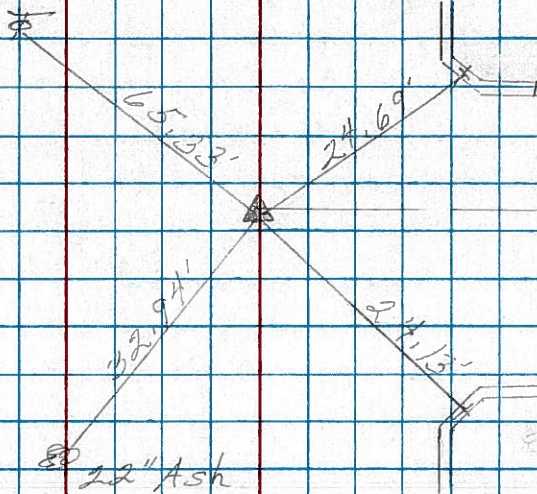
LEFT

CENTER LINE

RIGHT

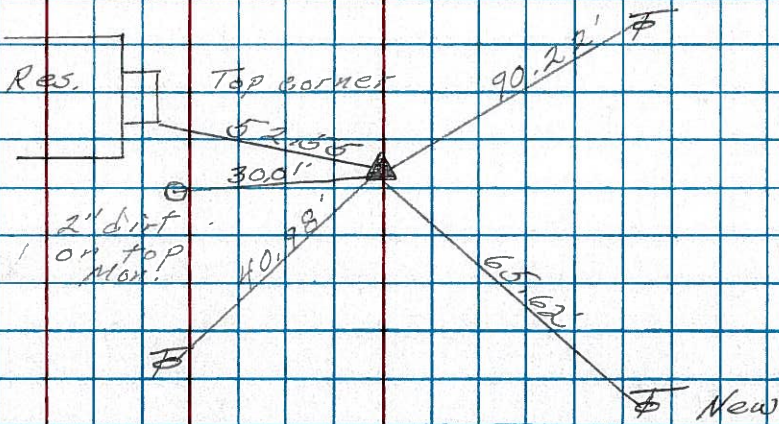
69-A

P.T.  
880+32.81  
small spk.  
3/4" set down



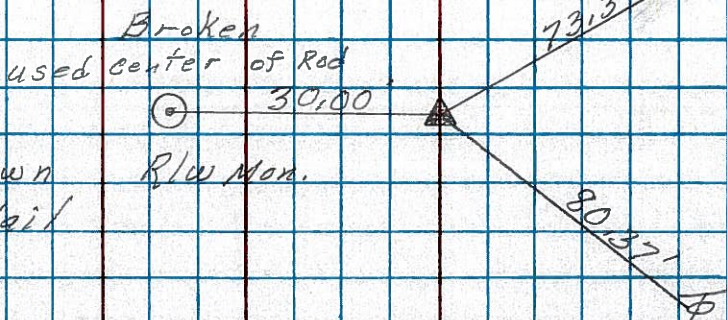
69

P.I.  
870+59.75  
small spk.  
3/4" set down



68

P.I.  
860+60.77  
R.R. spk 2" down  
Reset P.K. Nail









PERSONNEL TITLE PERSONNEL TITLE

COUNTY Seneca

DATE

Kradik

Xowaleski

Geymatt

S. R. # 53

WEATHER

SEC.

TEMP.

DESCRIPTION

LEFT

CENTER LINE

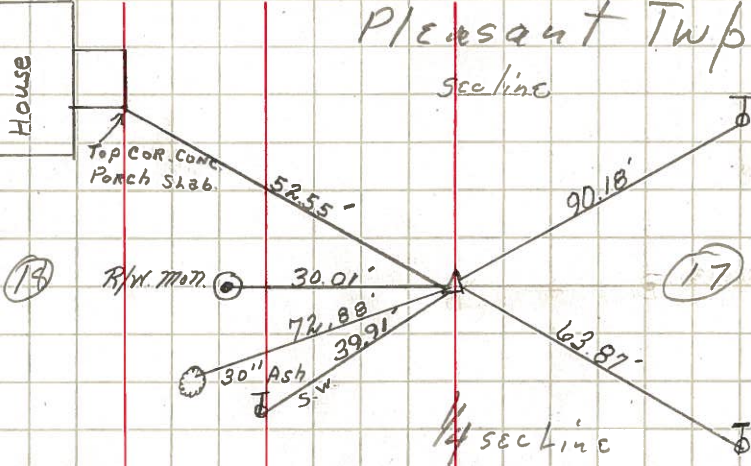
RIGHT

JOB NO.

Sta. 870+59.75

RR Spike

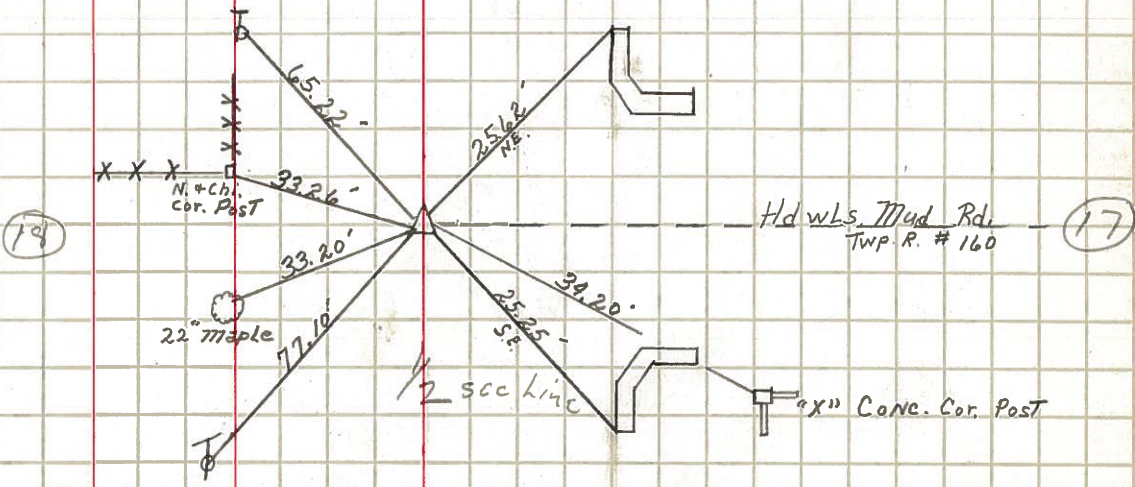
69



Sta. 880+32.81 # 105

RR Spike

69A



POT. = 900 + 86.02 Bk. =

To Eg. 13.98'

POT. = 901 + 00.00 Ptd.

70

Sta. 907+46.30 # 106

RR Spike

