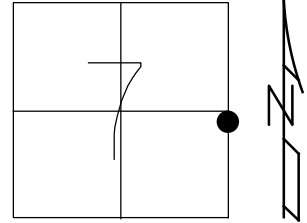


O.D.O.T. DISTRICT 2 SURVEY OFFICE (USE ONLY)

PERSONNEL _____ REFERENCE NO. 71 SHEET 20 OF 26
 NOTES MOSER DATE 6/14/11 ROUTE SR 53
 H.C. LUMBREZER WEATHER CLOUDY COUNTY SENECA
 R.C. HARBAUGH TEMP. 70° TOWNSHIP PLEASANT
 _____ SECTION 7
 _____ T 3 N R 15 E

TYPE MONUMENT P.K. SHANK
 ON SURFACE - ~~BELOW~~ ON
 LEFT - C PAV'T - RIGHT ON
11.4' TO LT EDGE PAVEMENT
 S.L.M. 930+78.96



GRID: NORTHING: 571089.761 EASTING: 1784803.743

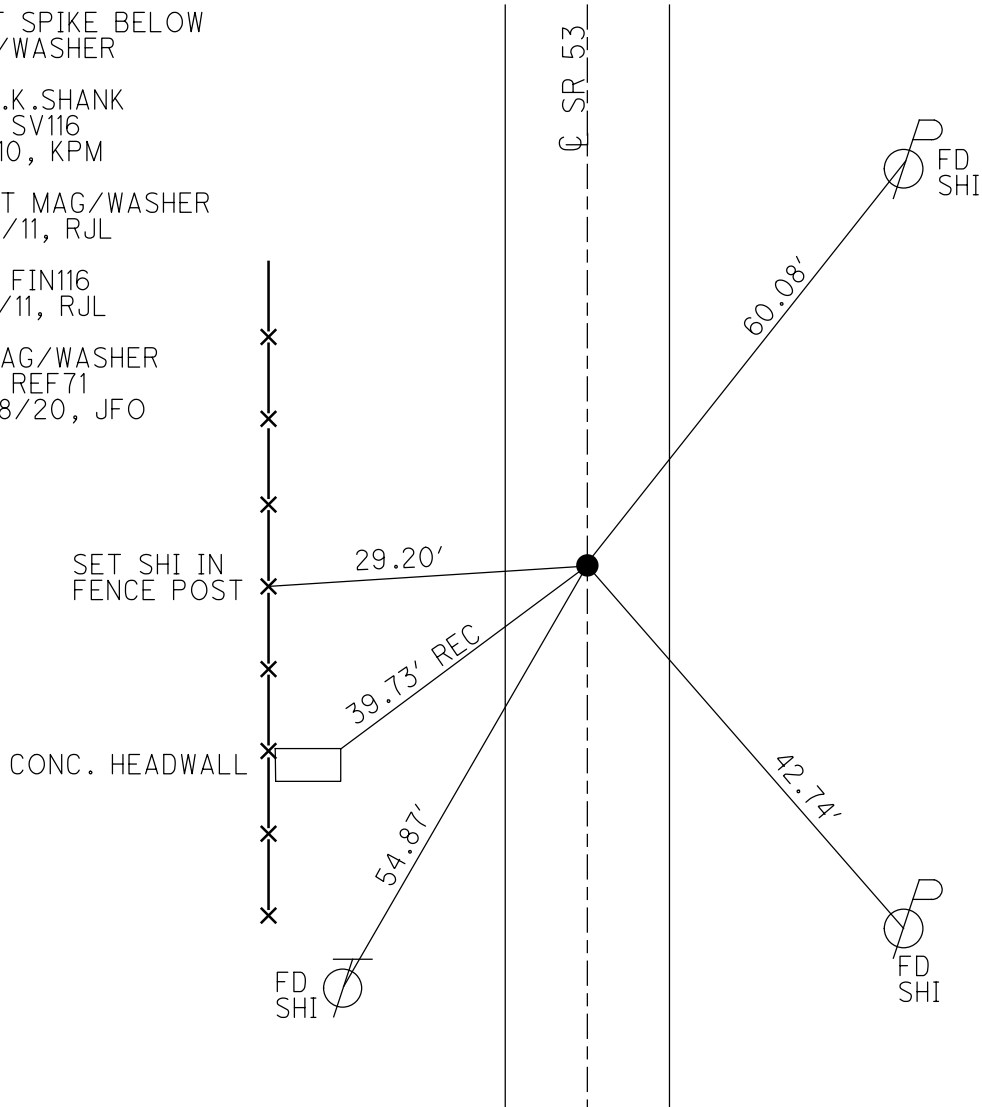
BOAT SPIKE BELOW
 P.K./WASHER

FD P.K. SHANK
 GPS, SV116
 6/1/10, KPM

RESET MAG/WASHER
 9/29/11, RJL

GPS, FIN116
 10/4/11, RJL

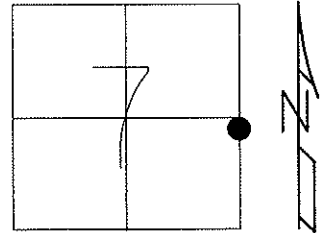
FD MAG/WASHER
 GPS, REF71
 10/08/20, JFO



O.D.O.T. DISTRICT 2 SURVEY OFFICE (USE ONLY)

PERSONNEL	REFERENCE NO. <u>71</u>	SHEET <u>20</u> OF <u>26</u>
NOTES <u>MOSE</u>	DATE <u>6/14/11</u>	ROUTE <u>SR 53</u>
H.C. <u>LUMBREZER</u>	WEATHER <u>CLOUDY</u>	COUNTY <u>SENECA</u>
R.C. <u>HARBAUGH</u>	TEMP. <u>70°</u>	TOWNSHIP <u>PLEASANT</u>
		SECTION <u>7</u>
		T <u>3</u> N R <u>15</u> E

TYPE MONUMENT P.K.SHANK
 ON SURFACE - ~~BELOW~~ ON
 LEFT - C PAV'T - RIGHT ON
11.4' TO LT EDGE PAVEMENT
 S.L.M. 930+78.96



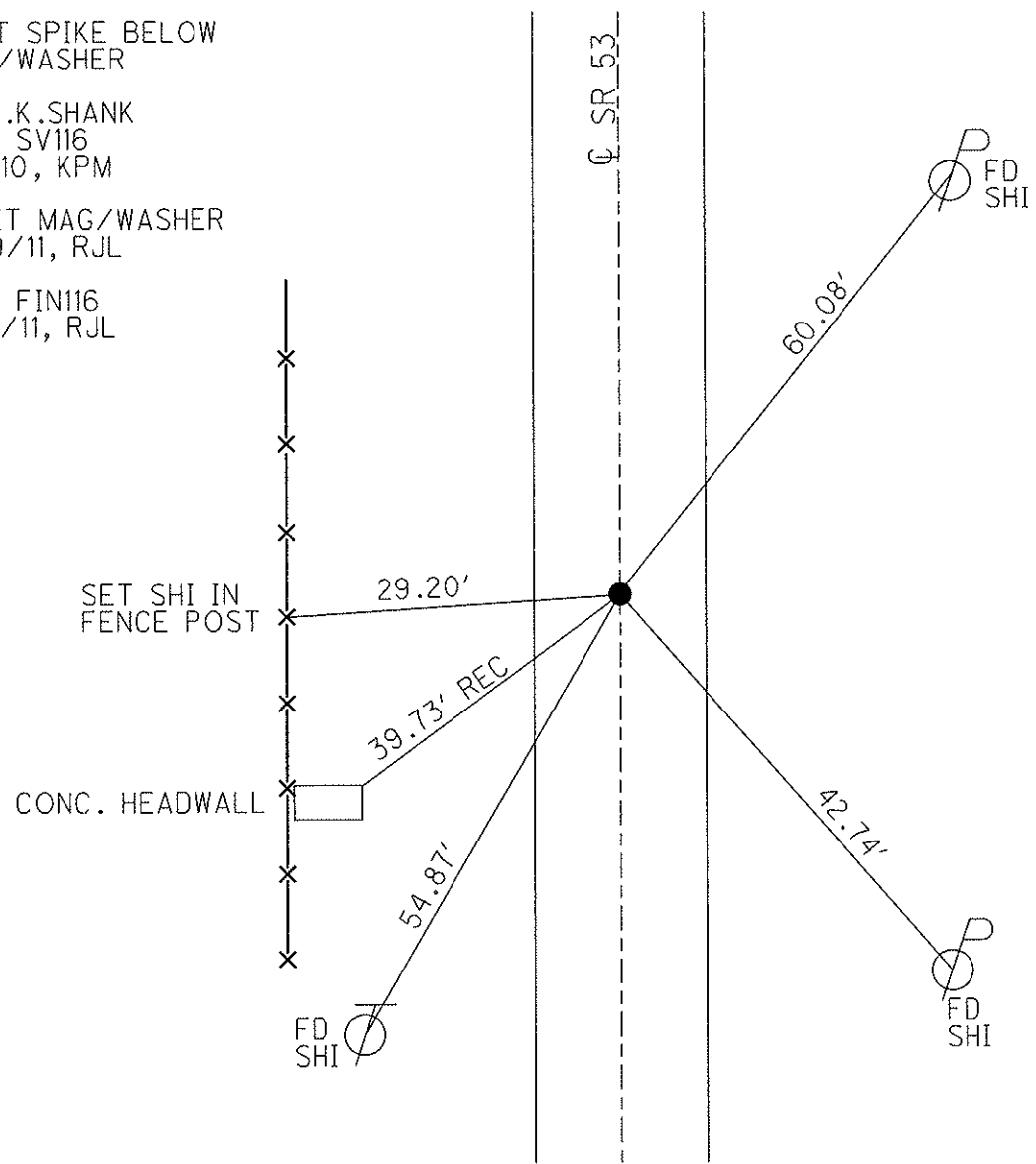
Grid: Northing: 571089.8669 Easting: 1784803.6181

BOAT SPIKE BELOW
 P.K./WASHER

 FD P.K.SHANK
 GPS, SV116
 6/1/10, KPM

 RESET MAG/WASHER
 9/29/11, RJL

 GPS, FIN116
 10/4/11, RJL



O.D.O.T. DISTRICT 2 SURVEY OFFICE

PERSONNEL

REFERENCE NO. 71

SHEET 21 OF 21

NOTES CRONIN

DRAWN 9/12/88 - RAIN

H.C. RIPPLE

DATE 8/31/88

ROUTE #53

R.C. BARBOUR

WEATHER SUNNY

COUNTY SENECA

GEYMAN

TEMP. 60°

TOWNSHIP PLEASANT

SECTION 7

T 3 R 15 E

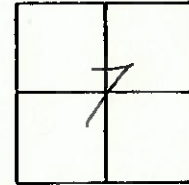
TYPE MONUMENT P.K. WASHER

ON SURFACE - BELOW _____

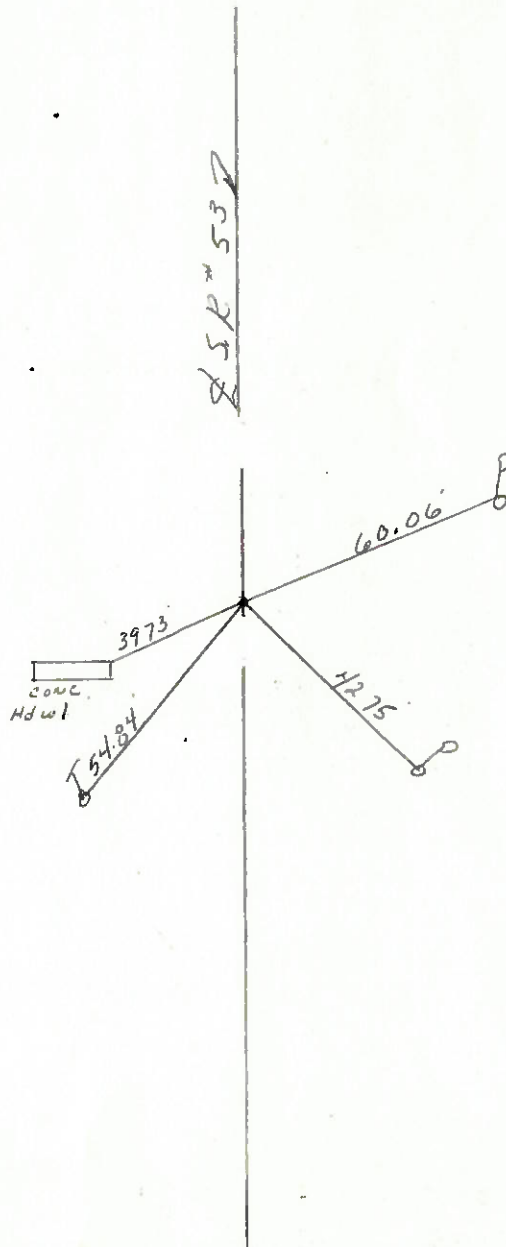
LEFT - ☉ PAV'T. - RIGHT _____

TO _____ EDGE PAVEMENT

S.L.M. 930 + 6977



BOAT SPILE BELOW
P.K. WASHER

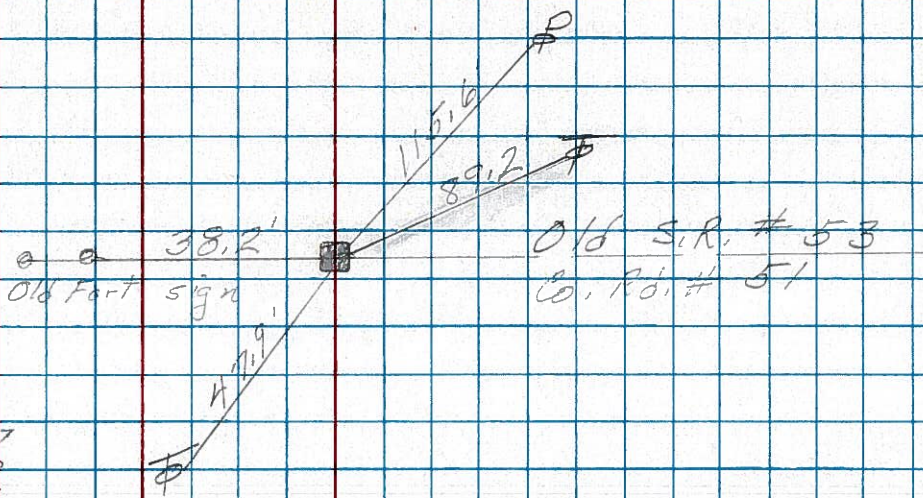


PERSONNEL	TITLE	PERSONNEL	TITLE	COUNTY	DATE		
Schneider		Cronin		Saneca	5-7-77		
Barbour		Ripple		S. R. 53	WEATHER Hot		
		Geyman		SEC. 18&17-7&8	TEMP. 90°		
DESCRIPTION Tiffin to Sandusky Co. Line				LEFT	CENTER LINE	RIGHT	JOB NO.

71-A

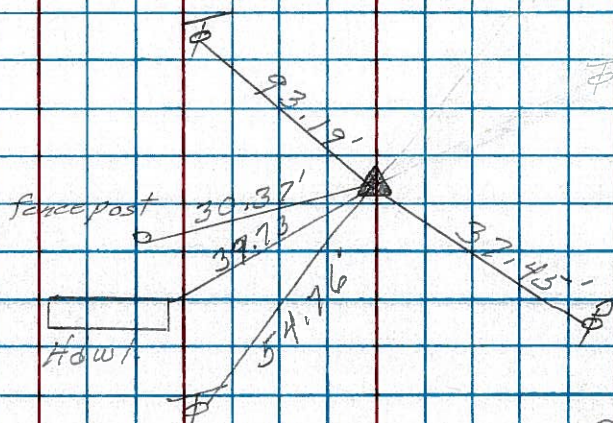
933+27.18
Iron pin in
Mon. Box # 1

center of Box
is tied in.



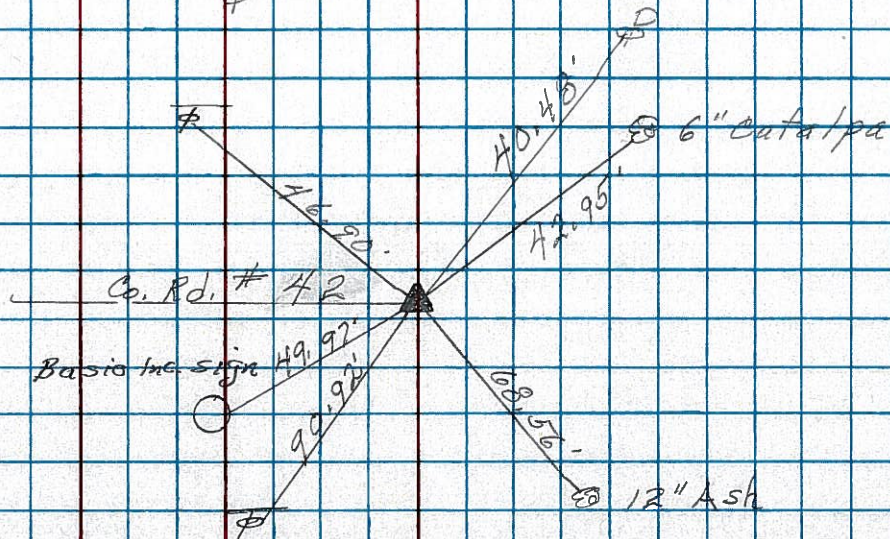
71

P.I.
930+69.77
small spk.
1" down



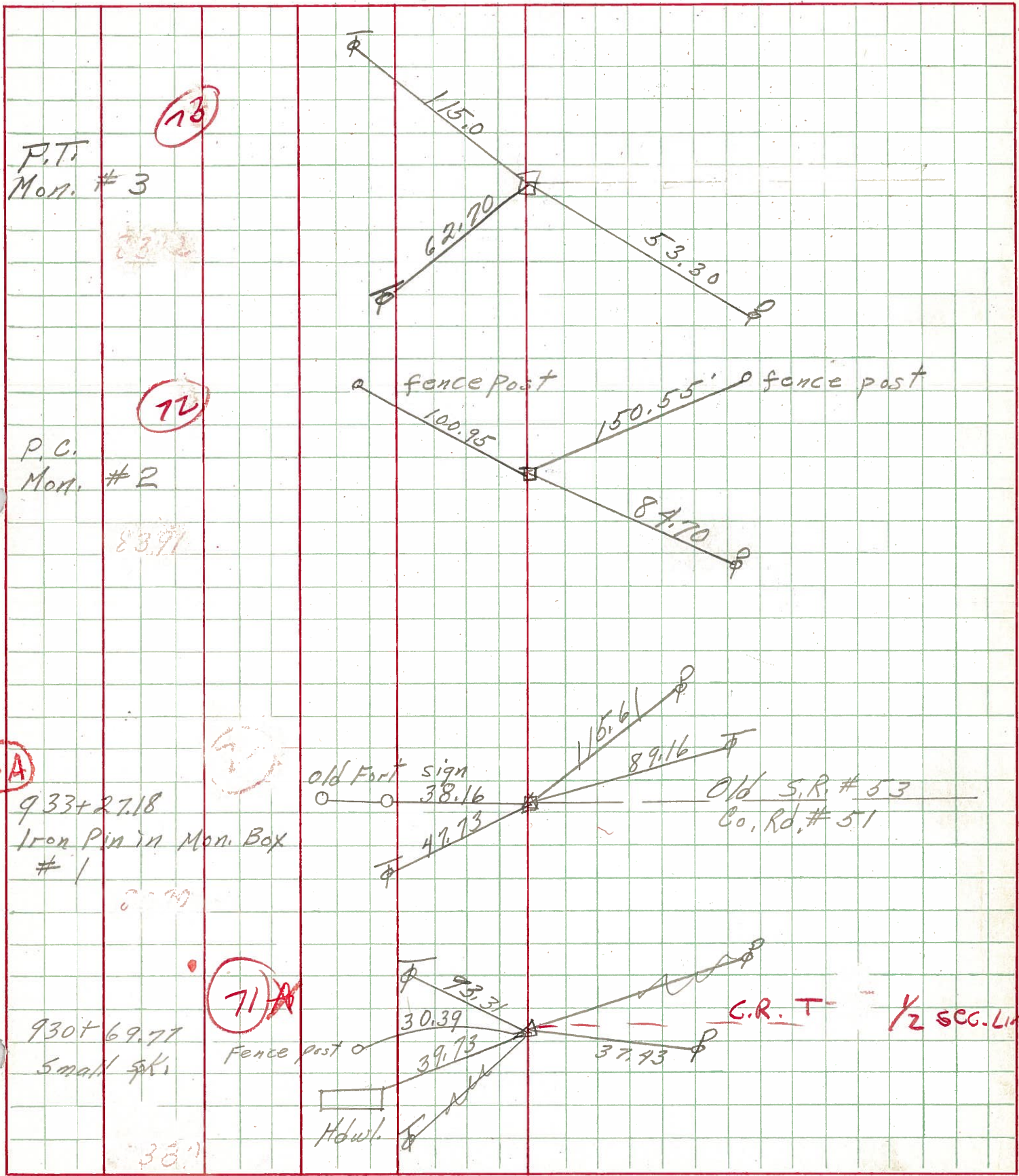
70

P.T.
907+46.30
small spk.
Reset P.K. Nail



PERSONNEL	TITLE	PERSONNEL	TITLE	COUNTY	DATE
Schneider				Seneca	10-1-69
Mosser				S. R. 53	WEATHER Fair
Barbour				SEC. Tiffin to San Co. Line	TEMP. 75°
Potts					

DESCRIPTION Ties for Control Points JOB NO. _____



PERSONNEL	TITLE	PERSONNEL	TITLE	COUNTY	DATE
Krabihh				Seneea	
Xowaleski				S. R. #53	WEATHER
Geyman				SEC.	TEMP.

DESCRIPTION	LEFT	CENTER LINE	RIGHT	JOB NO.
-------------	------	-------------	-------	---------

P.O.T. = 914 + 00.00 Bk =
 STA E8 13.97
 P.O.T. = 913 + 86.02 Rhd.

71

P.O.T. STA 930 + 69.77
 RR Spike

