

O.D.O.T. DISTRICT 2 SURVEY OFFICE (USE ONLY)

PERSONNEL

REFERENCE NO. 24

SHEET 25 OF 27

NOTES RHOADES  
 H.C. O'DONNELL  
 R.C. SEAMAN

DATE 3/23/18  
 WEATHER SUNNY  
 TEMP. 33°

ROUTE SR 101  
 COUNTY SENECA  
 TOWNSHIP CLINTON  
 SECTION 2  
 T 2 N R 15 E

DWG BY MILLER PID 102817

TYPE MONUMENT MAG/WASHER

ON SURFACE - ~~BELOW~~ ON

OFFSET 6.5' LT : ~~RT~~  
3.5' TO LT EDGE PAVEMENT

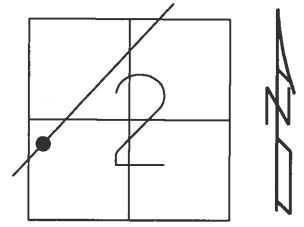
STATION: 279+58

HORZ. DATUM: NAD83 2011

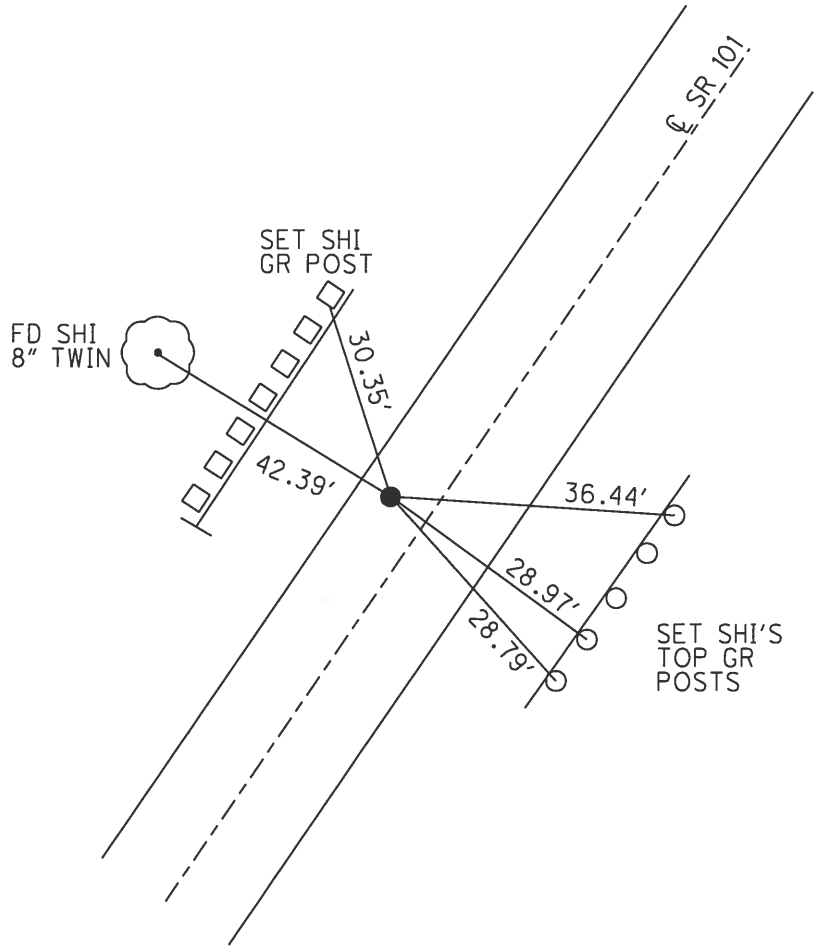
GEOID: 2012A NAVD88

GRID: NORTHING: 544647.834

EASTING: 1800618.555



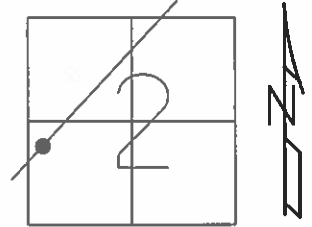
RECORD: P.I.  
 STA. 37+92.7  
 $\Delta = 2^\circ 24' RT$   
 R.R. SPK. ON  $\mathcal{C}$  R/W  
 ON SURFACE  
 11-22-65  
 FD R.R. SPIKE  
 7/21/92, CHENEY  
 SET P.K./WASHER  
 10-1-92  
 FD MAG/WASHER  
 REF24  
 10-12-16, JFO  
 SET MAG/WASHER  
 10-9-18, JFO



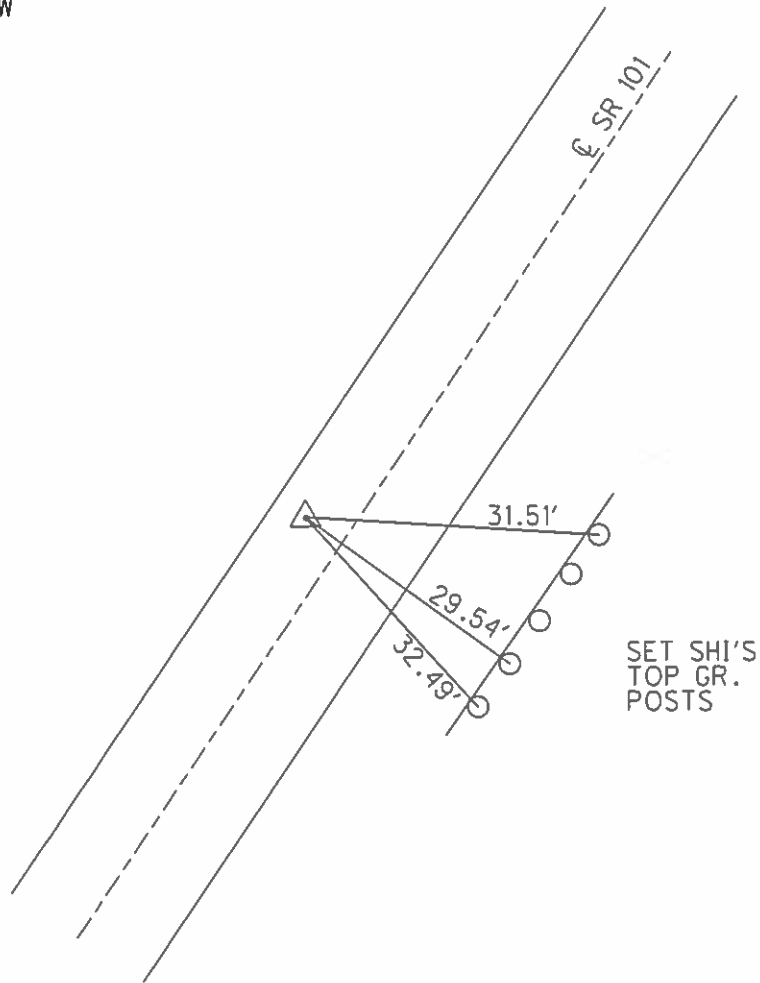
O.D.O.T. DISTRICT 2 SURVEY OFFICE (USE ONLY)

PERSONNEL \_\_\_\_\_ REFERENCE NO. 24 SHEET 25 OF 27  
 NOTES CHENEY DATE 7/21/92 ROUTE SR 101  
 H.C. RIPPLE WEATHER SUNNY COUNTY SENECA  
 R.C. BARBOUR TEMP. 55° TOWNSHIP CLINTON  
 \_\_\_\_\_ SECTION 2  
 \_\_\_\_\_ T 2 N R 15 E

TYPE MONUMENT R.R. SPIKE  
 ON SURFACE - ~~BELOW~~ ON  
 LEFT - ☉ PAV'T - ~~RIGHT~~ 6.5'  
3.5' TO LT EDGE PAVEMENT  
 S.L.M. 279+63  
 GRID: NORTHING: - EASTING: -



RECORD: P.I.  
 STA. 37+92.7Δ = 2° 24' RT  
 R.R. SPK. ON ☉ R/W  
 ON SURFACE  
 11/22/65  
 SET P.K./WASHER  
 10/1/92



O.D.O.T. DISTRICT 2 SURVEY OFFICE

PERSONNEL

REFERENCE NO. 24

SHEET 24 OF 26

NOTES Cheney

H.C. Ripple

R.C. Barbour

DATE 7-21-92

WEATHER SUNNY

TEMP. 55°

ROUTE SR#101

COUNTY Seneca

TOWNSHIP CLINTON

SECTION 2

T2 N R 15 E

TYPE MONUMENT \_\_\_\_\_

set P.K. & Washer  
10-01-92

ON SURFACE - BELOW yes

LEFT- & PAVM'T. - RIGHT 6.5'

3.5' TO LT. EDGE PAVEMENT

S.L.M. 279+63

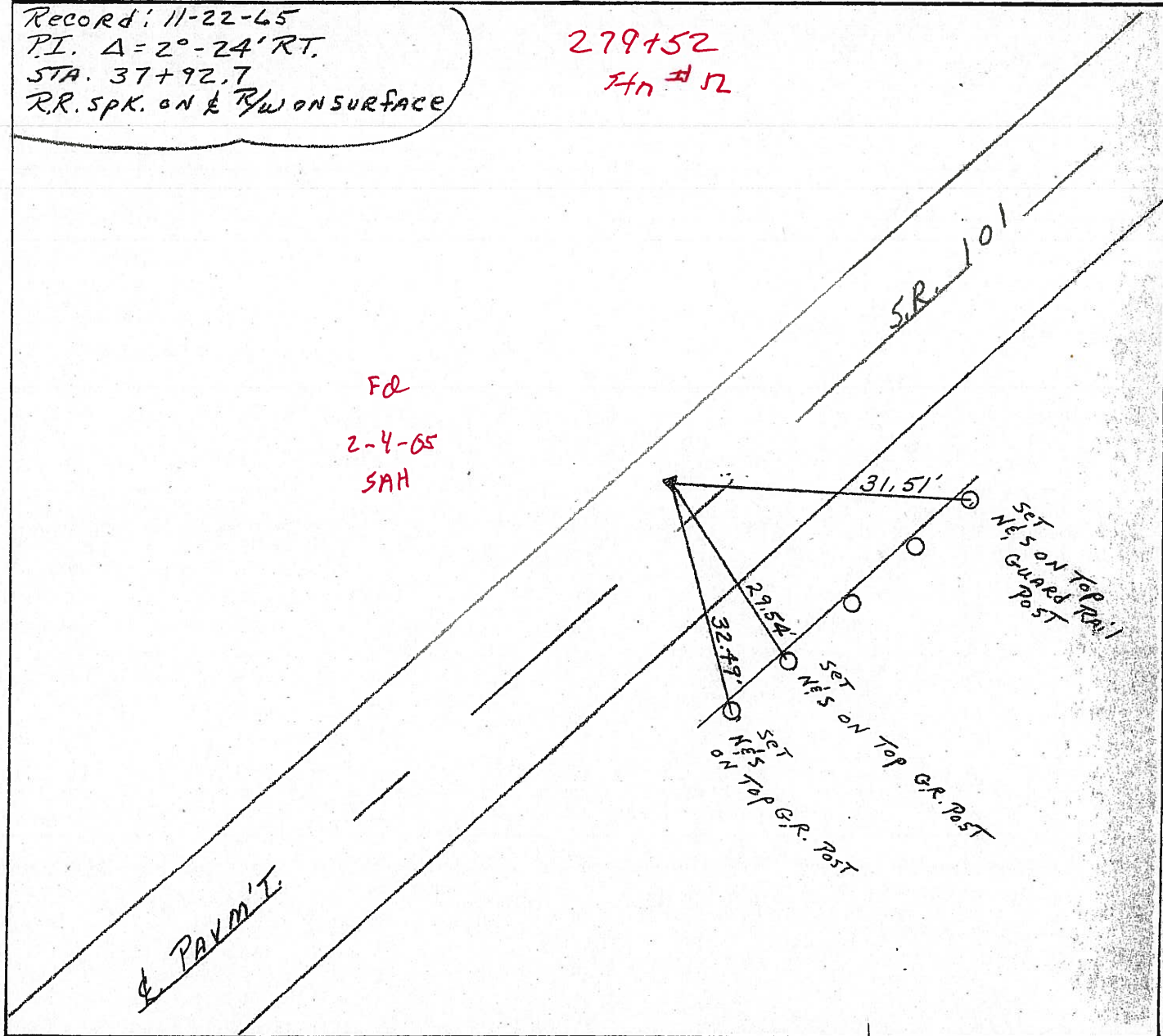
3	12
10	11



Record: 11-22-65  
P.I. Δ = 2°-24' RT.  
STA. 37+92.7  
R.R. SPK. ON & RW ON SURFACE

279+52  
In # 12

FQ  
2-4-05  
SAH



# O.D.O.T. DISTRICT 2 SURVEY OFFICE

25

PERSONNEL

REFERENCE NO. 242

SHEET ~~24~~ OF 26

NOTES Cheney

H.C. Ripple

R.C. Barbour

DATE 7-21-92

WEATHER SUNNY

TEMP. 55°

ROUTE SR#101

COUNTY SENECA

TOWNSHIP CLINTON

SECTION 2

T2 N R 15 E

TYPE MONUMENT RR SPIKE 22-65 Reset P.K. & Washer  
10-01-92

ON SURFACE - BELOW yes

LEFT- & PAV'T. - RIGHT 6.5'

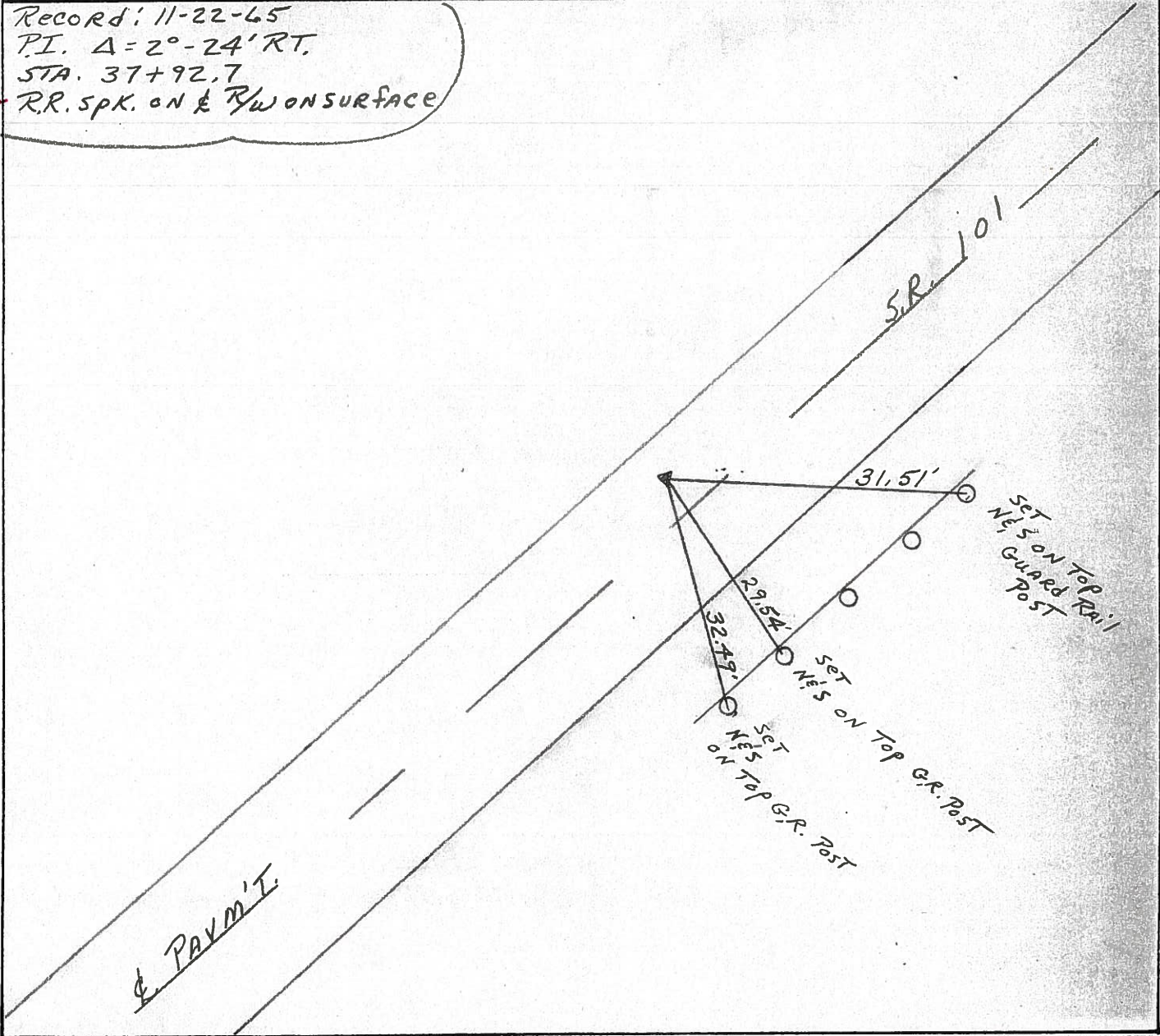
3.5' TO LT. EDGE PAVEMENT

S.L.M. 279+63

3	12
10	11



Record: 11-22-65  
 P.I. Δ = 2°-24' RT.  
 STA. 37+92.7  
 RR. SPK. ON & RW ON SURFACE



PERSONNEL TITLE PERSONNEL TITLE

COUNTY Seneca DATE 11-22-60

S. R. # 101 WEATHER

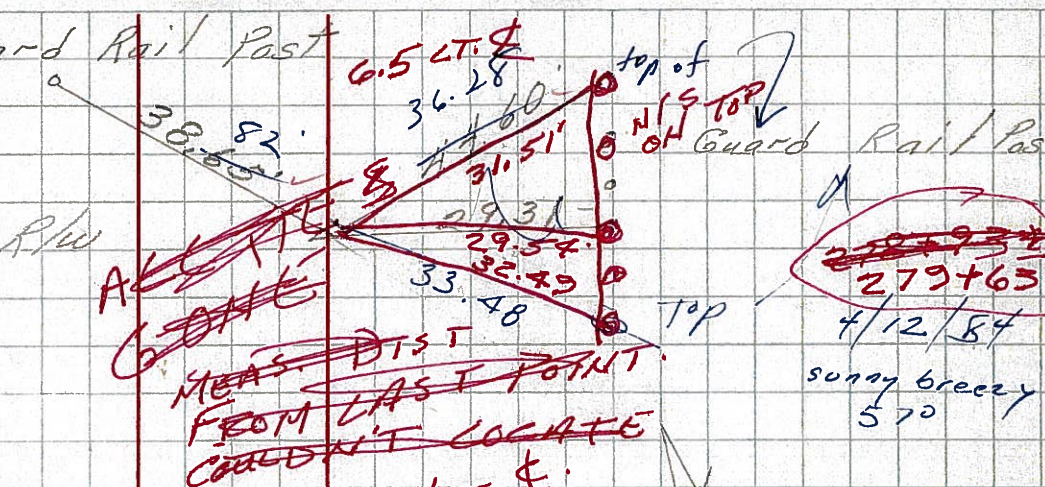
SEC. TEMP.

DESCRIPTION LEFT CENTER LINE RIGHT JOB NO.

24

Found  
Ties Good  
2/24/69  $\Delta = 2^{\circ} 24' Rt.$   
Sta. 37+92.7  
R.R. spk. on  $\&$  R/W  
on surface  
6.8' LT & PVT

~~377~~  
8472

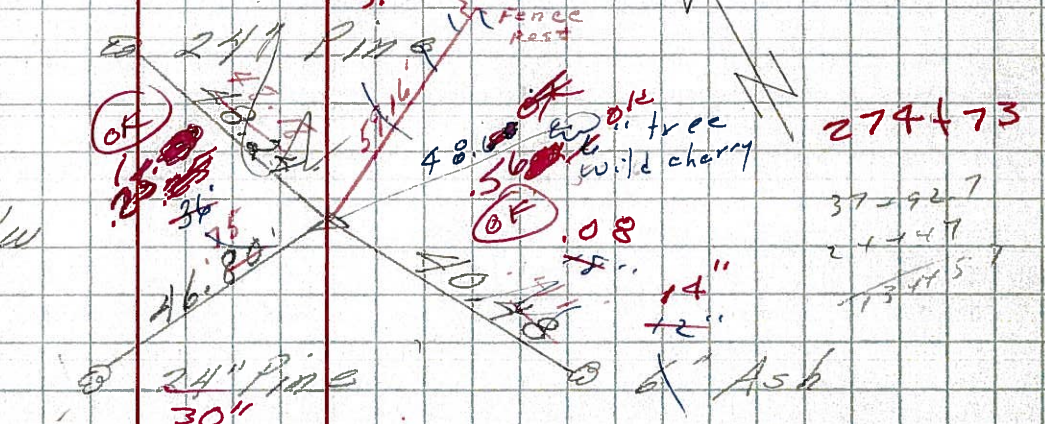


~~279+63~~  
279+63  
4/12/54  
sunny breezy  
570

23

Found 2/24/69  
 $\Delta = 1^{\circ} 07' Rt.$   
Sta. 33+72.3  
R.R. spk. on  $\&$  R/W  
on surface  
5.5' LT &

~~376~~ 8471

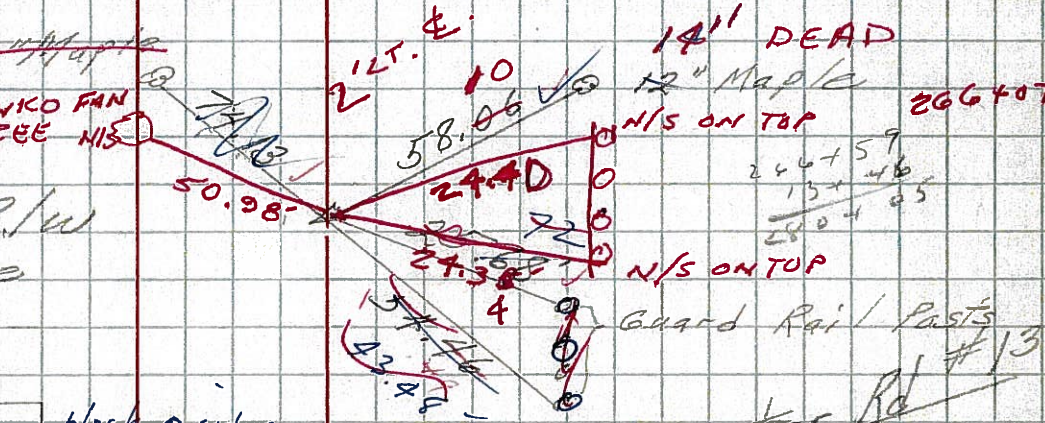


274+73  
37+92.7  
24+47  
13+45.7

22

Found 2/24/69  
Sta. 24+47  
R.R. spk. on  $\&$  R/W  
on surface  
2' LT & PVT

~~375~~ 8470

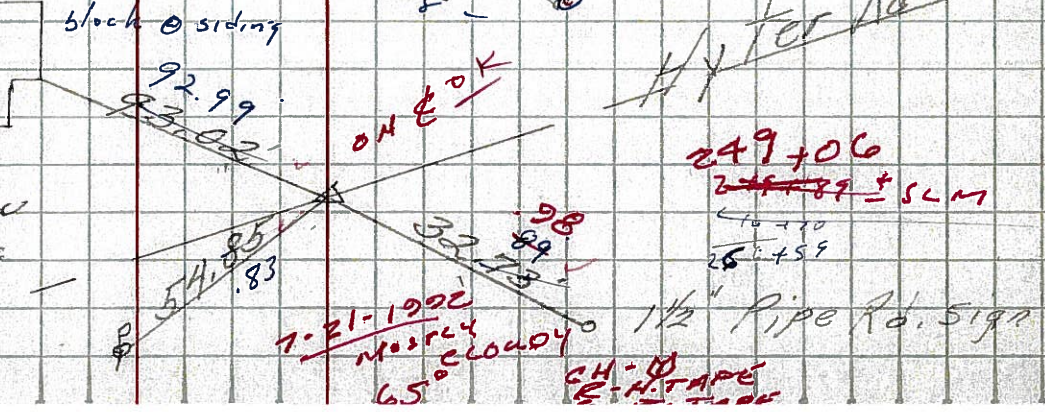


266+07  
246+59  
13+46  
280+95

21

Ties Good  
2/24/69  
Sta. 7+77  
Iron pin on  $\&$  R/W  
2" below surface

~~374~~  
8469



249+06  
~~249+89~~ SLM  
6+70  
25+59  
1 1/2" Pipe Rd. sign

7-21-1992  
mostly  
cloudy  
65°  
CH-10  
S-H-TAPE

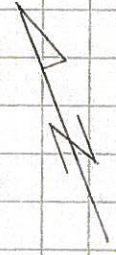
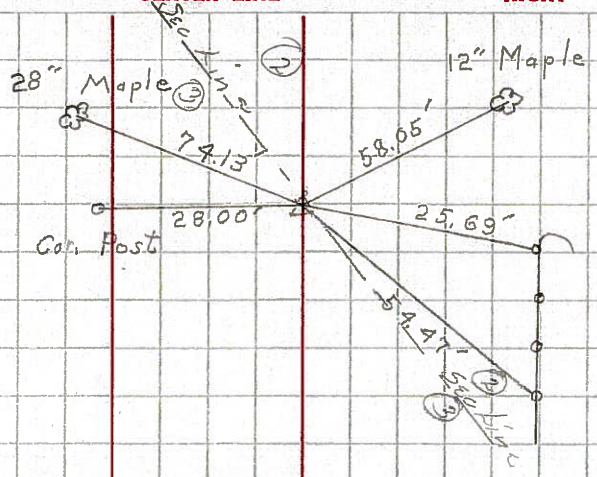
10-1-92  
10-1-92

PERSONNEL	TITLE	PERSONNEL	TITLE	COUNTY	DATE
Kra bill				Seneca	
Kowalaski				S. R. # 101	WEATHER
Geyman				SEC.	TEMP.

DESCRIPTION	LEFT	CENTER LINE	RIGHT	JOB NO.
-------------	------	-------------	-------	---------

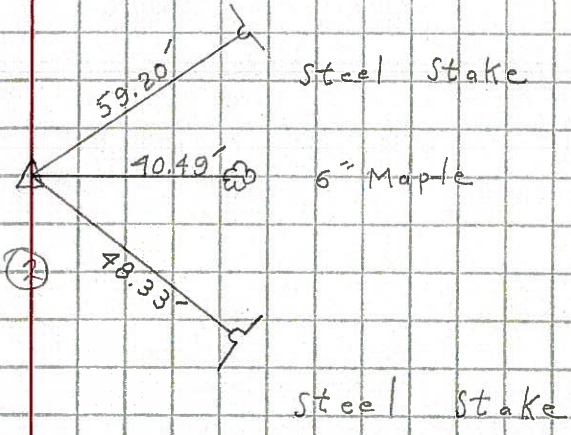
22

STA. 24+47  
 R. R. Spike  
 # 375



23

STA. 33+72.30  
 R. R. Spike  
 # 376



24

STA. 37+92.70  
 R. R. Spike  
 # 377

