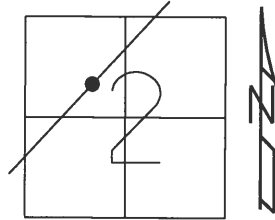


O.D.O.T. DISTRICT 2 SURVEY OFFICE (USE ONLY)

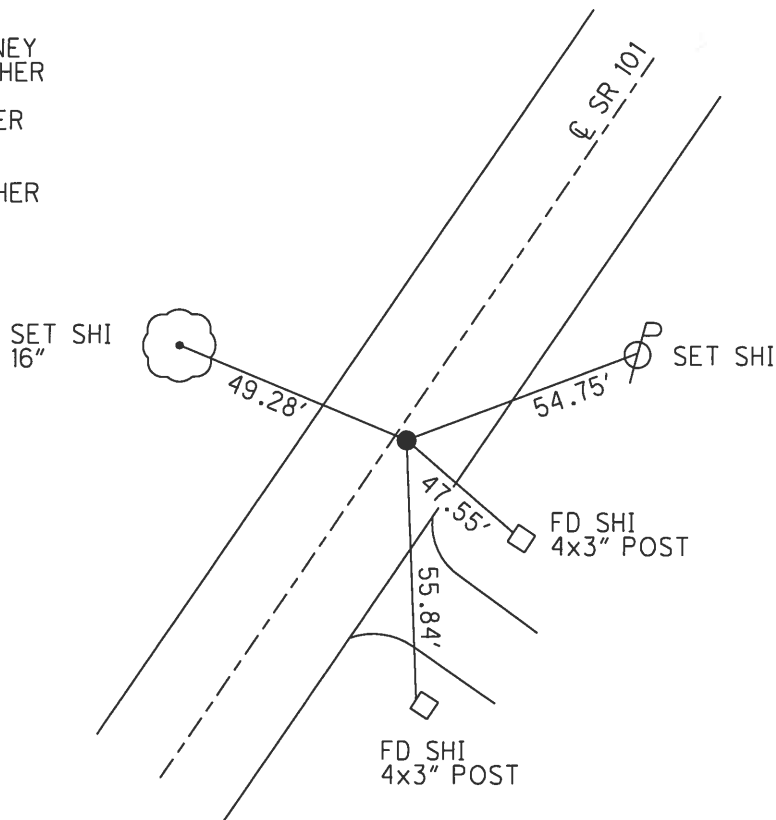
PERSONNEL _____ REFERENCE NO. 26 SHEET 27 OF 27
 NOTES RHOADES DATE 3/23/18 ROUTE SR 101
 H.C. O'DONNELL WEATHER SUNNY COUNTY SENECA
 R.C. SEAMAN TEMP. 33° TOWNSHIP CLINTON
 DWG BY MILLER PID 102817 SECTION 2
 T 2 N R 15 E

TYPE MONUMENT MAG/WASHER
 ON SURFACE - ~~BELOW~~ ON _____
 OFFSET \odot PAVEMENT 2' ~~LT~~ : RT
8' TO RT EDGE PAVEMENT
 STATION: 291+23.53



HORZ. DATUM: NAD83 2011 GEOID: 2012A NAVD88
 GRID: NORTHING: 545478.800 EASTING: 1801435.843

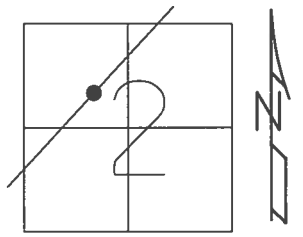
RECORD: P.C.
 STA. 49+35.6
 R.R. SPIKE ON \odot R/W
 11-23-95
 FD P.K. NAIL
 7/21/92, CHENEY
 SET P.K./WASHER
 10-1-92
 FD MAG/WASHER
 REF 26
 6-14-16, JFO
 SET MAG/WASHER
 10-9-18, JFO



O.D.O.T. DISTRICT 2 SURVEY OFFICE (USE ONLY)

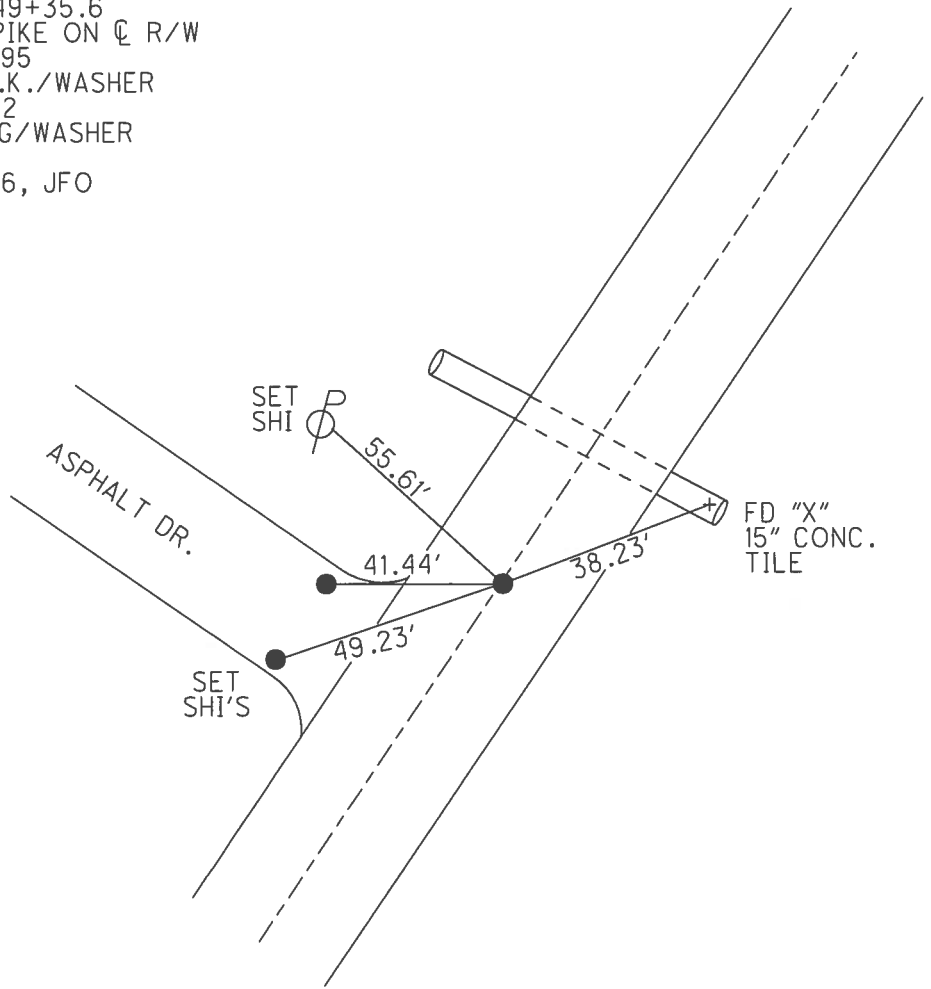
PERSONNEL _____ REFERENCE NO. 26 SHEET 27 OF 27
 NOTES CHENEY DATE 7/21/92 ROUTE SR 101
 H.C. RIPPLE WEATHER SUNNY COUNTY SENECA
 R.C. BARBOUR TEMP. 55° TOWNSHIP CLINTON
 _____ SECTION 2
 _____ T 2 N R 15 E

TYPE MONUMENT P.K.NAIL
 ON SURFACE - ~~BELOW~~ ON _____
~~LEFT~~ - ☉ PAV'T - RIGHT 2'
8' TO RT EDGE PAVEMENT
 S.L.M. 291+31



GRID: NORTHING: 545478.802 EASTING: 1801435.854

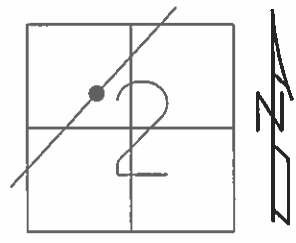
RECORD: P.C.
 STA. 49+35.6
 R.R.SPIKE ON ☉ R/W
 11/23/95
 SET P.K./WASHER
 10/1/92
 FD MAG/WASHER
 REF26
 6/14/16, JFO



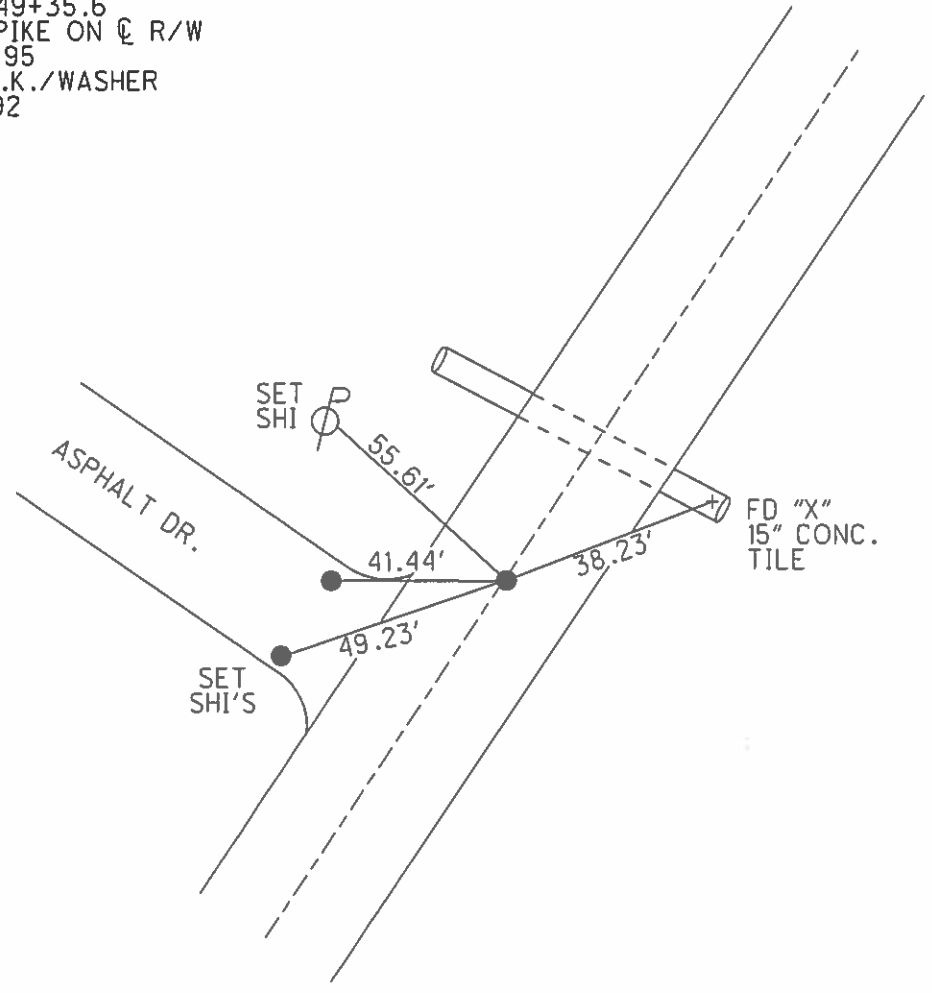
O.D.O.T. DISTRICT 2 SURVEY OFFICE (USE ONLY)

PERSONNEL _____ REFERENCE NO. 26 SHEET 27 OF 27
 NOTES CHENEY DATE 7/21/92 ROUTE SR 101
 H.C. RIPPLE WEATHER SUNNY COUNTY SENECA
 R.C. BARBOUR TEMP. 55° TOWNSHIP CLINTON
 _____ SECTION 2
 _____ T 2 N R 15 E

TYPE MONUMENT P.K.NAIL
 ON SURFACE - ~~BELOW~~ ON _____
~~LEFT~~ - ☉ PAV'T - RIGHT 2'
8' TO RT EDGE PAVEMENT
 S.L.M. 291+31



RECORD: P.C.
 STA. 49+35.6
 R.R.SPIKE ON ☉ R/W
 11/23/95
 SET P.K./WASHER
 10/1/92



O.D.O.T. DISTRICT 2 SURVEY OFFICE

PERSONNEL

REFERENCE NO. 26

SHEET 26 OF 26

NOTES Cheney

H.C. RIPPLE

R.C. BARBOUR

DATE 7-21-92

WEATHER SUNNY

TEMP. 55°

ROUTE SR.#101

COUNTY SENECA

TOWNSHIP CLINTON

SECTION 2

T2 N R 15 E

TYPE MONUMENT P.K.?

ON SURFACE - ~~BELOW~~ yes

~~LEFT - C~~ PAV'T. - RIGHT 2'

8' TO RT. EDGE PAVEMENT

S.L.M. 291+31

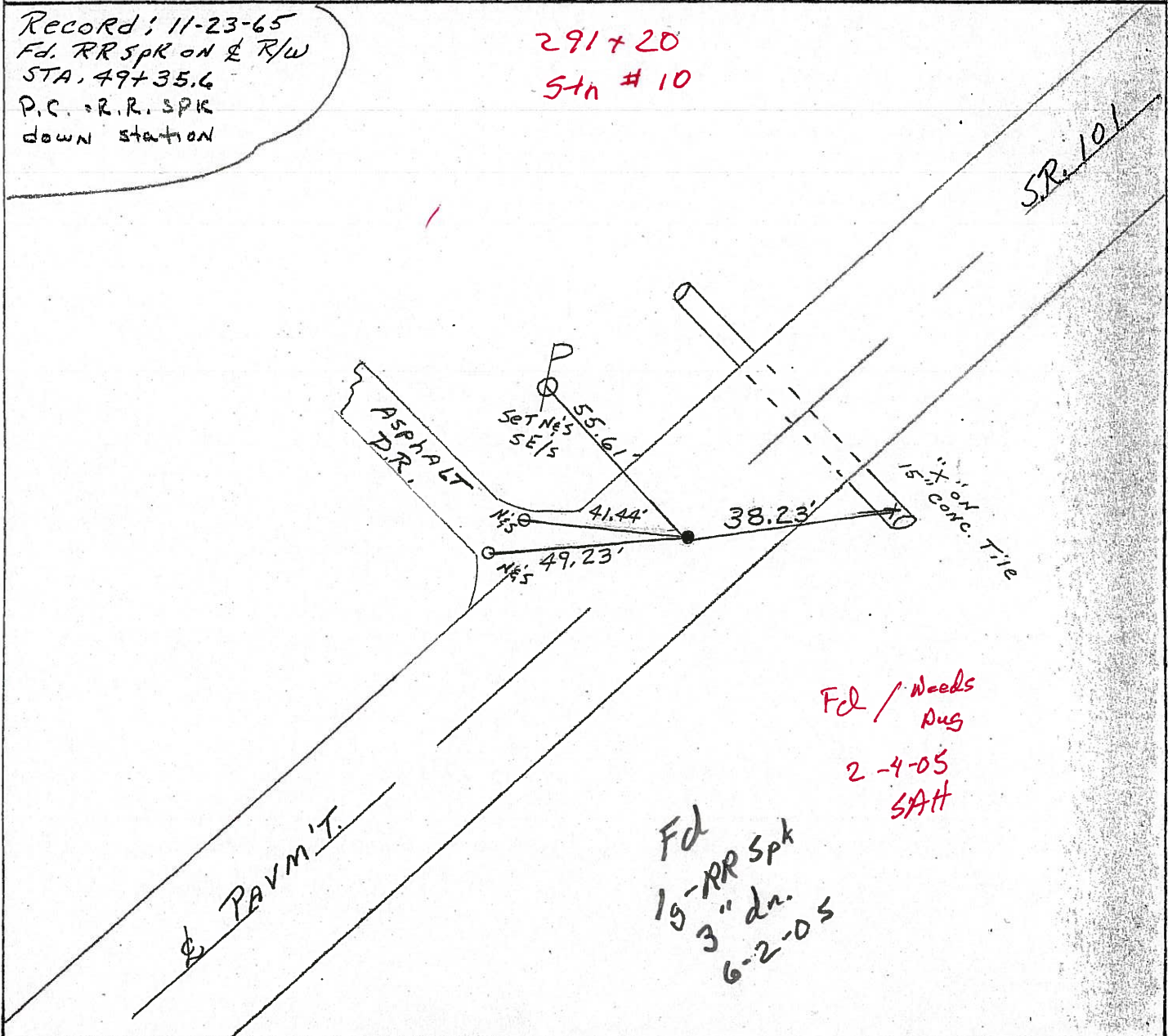
SET
P.K. & WASHER
10-01-92

3	2
10	11



Record: 11-23-65
Fd. RR Spk on E R/W
STA. 49+35.6
P.C. = R.R. Spk
down station

291+20
Sta # 10



Fd / Needs
Aug
2-4-05
SAH

Fd
15-RR Spk
3" dn.
6-2-05

O.D.O.T. DISTRICT 2 SURVEY OFFICE

27 27

PERSONNEL

REFERENCE NO. 26

SHEET 26 OF 26

NOTES Cheney

H.C. RIPPLE

R.C. BARBOUR

DATE 17-21-92

WEATHER SUNNY

TEMP. 55°

ROUTE SR.#101

COUNTY SENECA

TOWNSHIP CLINTON

SECTION 2

T 2 N R 15 E

TYPE MONUMENT P.K.?

ON SURFACE - ~~BELOW~~ yes

~~LEFT - C~~ PAV'T. - RIGHT 2'

8' TO RT. EDGE PAVEMENT

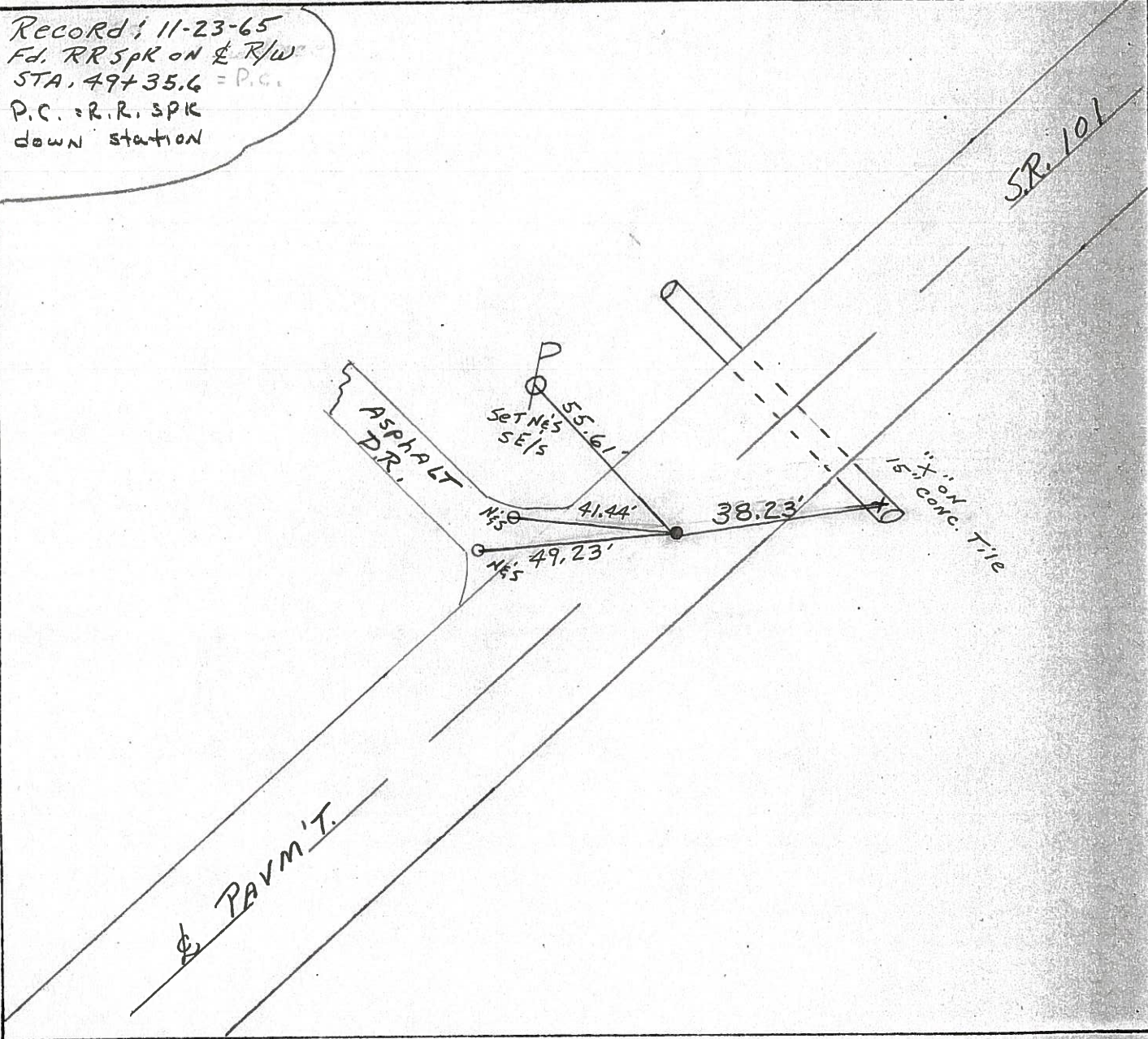
S.L.M. 291+31

Set
P.K. & washer
10-01-92

3	2
10	11



Record: 11-23-65
Fd. RR SPK ON E R/W
STA. 49+35.6 = P.C.
P.C. = R.R. SPK
down station



PERSONNEL TITLE PERSONNEL TITLE

Krabill _____

Kowalski _____

Geyman _____

COUNTY Seneca DATE _____

S. R. # 101 WEATHER _____

SEC. _____ TEMP. _____

DESCRIPTION _____ JOB NO. _____

LEFT

CENTER LINE

RIGHT

(26)

STA. 44+24.59

R. R. Spike
377(A)

