

O.D.O.T. DISTRICT 2 SURVEY OFFICE (USE ONLY)

PERSONNEL

REFERENCE NO. 35

SHEET 11 OF 46

NOTES HOMAN DATE 7-14-09
 H.C. HOMAN WEATHER SUNNY
 R.C. ROUSOS TEMP. 80°F

ROUTE SR 101
 COUNTY SENECA
 TOWNSHIP PLEASENT
 SECTION 25

DWG BY MAHLER PID 100787

T 3 N R 15 E

TYPE MONUMENT MONBOX

ON SURFACE - ~~BELOW~~ ON

OFFSET \odot PAVEMENT 1' ~~LT~~ : RT

- TO - EDGE PAVEMENT

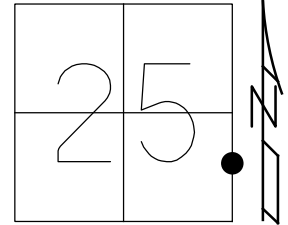
STATION: 425+00

HORIZ.DATUM: NAD83 (2011)

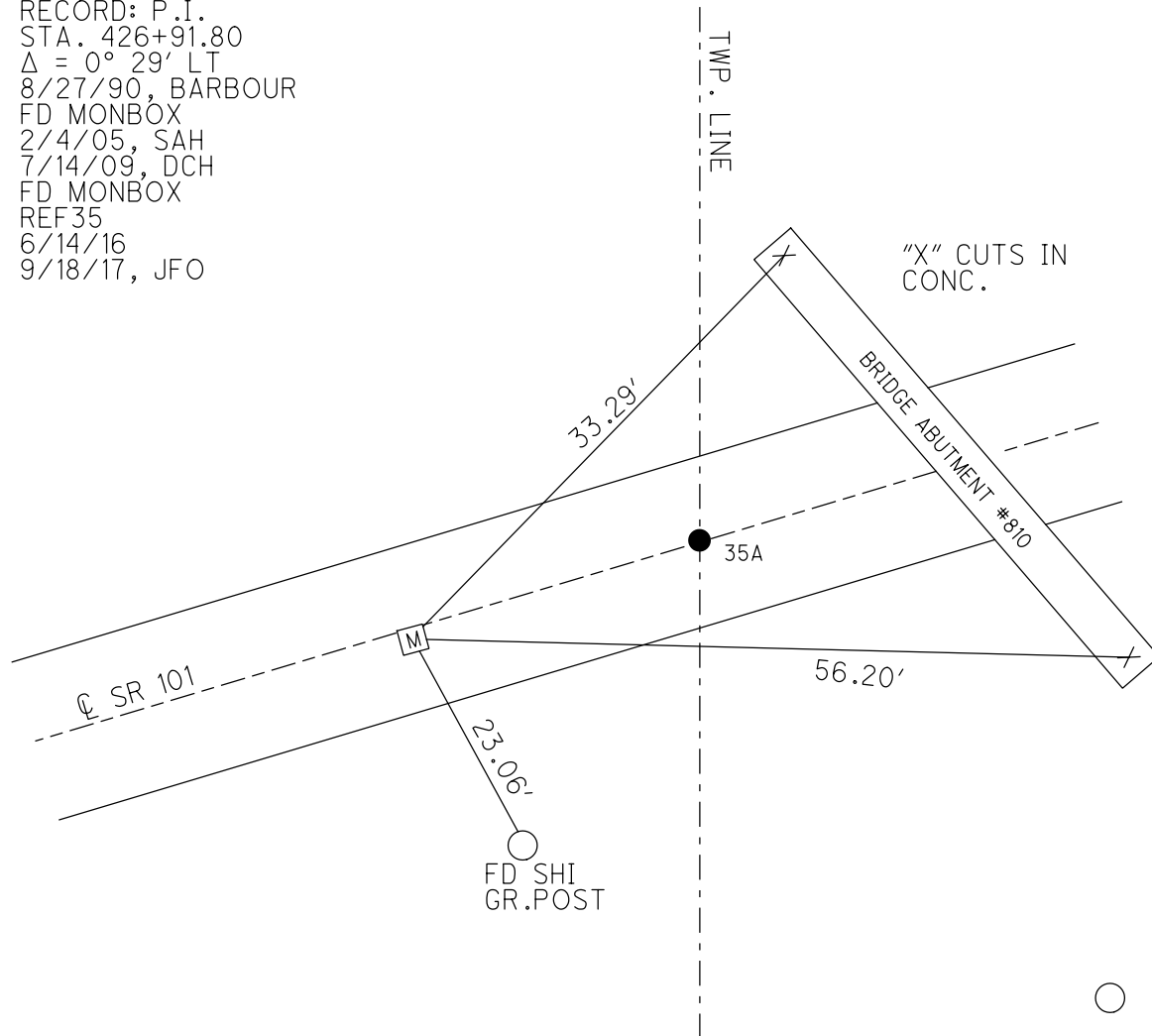
GEOID: NAVD88-2012A

GRID: NORTHING: 555287.618

EASTING: 1810504.685



RECORD: P.I.
 STA. 426+91.80
 $\Delta = 0^\circ 29' LT$
 8/27/90, BARBOUR
 FD MONBOX
 2/4/05, SAH
 7/14/09, DCH
 FD MONBOX
 REF35
 6/14/16
 9/18/17, JFO

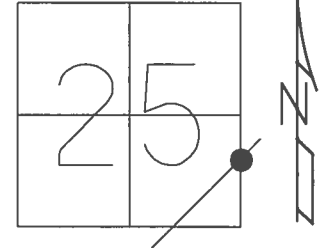


O.D.O.T. DISTRICT 2 SURVEY OFFICE (USE ONLY)

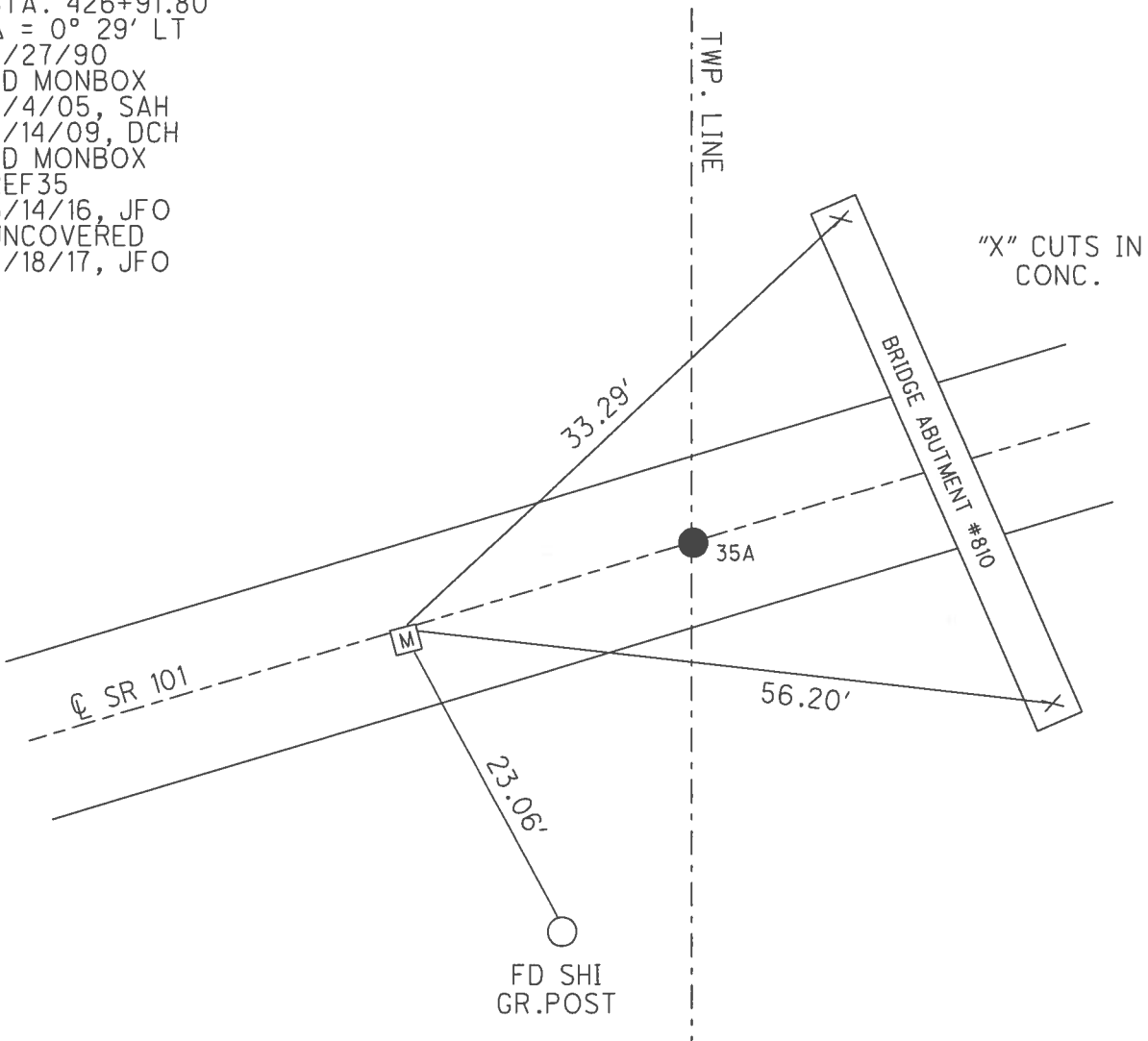
PERSONNEL _____ REFERENCE NO. 35 SHEET 11 OF 46
 NOTES HOMAN DATE 7/14/09 ROUTE SR 101
 H.C. HOMAN WEATHER SUNNY COUNTY SENECA
 R.C. ROUSOS TEMP. 80° TOWNSHIP PLEASANT
 _____ SECTION 25
 _____ T 3 N R 15 E

TYPE MONUMENT MONBOX
 ON SURFACE - ~~BELOW~~ ON _____
~~LEFT~~ - ☉ PAV'T - RIGHT 1'
 - TO - EDGE PAVEMENT
 S.L.M. 425+00

GRID: NORTHING: 555287.618 EASTING: 1810504.685



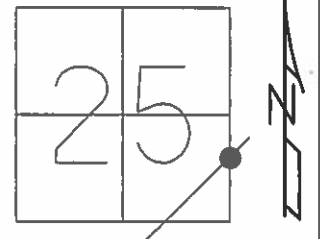
RECORD: P.I.
 STA. 426+91.80
 $\Delta = 0^\circ 29' \text{ LT}$
 8/27/90
 FD MONBOX
 2/4/05, SAH
 7/14/09, DCH
 FD MONBOX
 REF35
 6/14/16, JFO
 UNCOVERED
 9/18/17, JFO



O.D.O.T. DISTRICT 2 SURVEY OFFICE (USE ONLY)

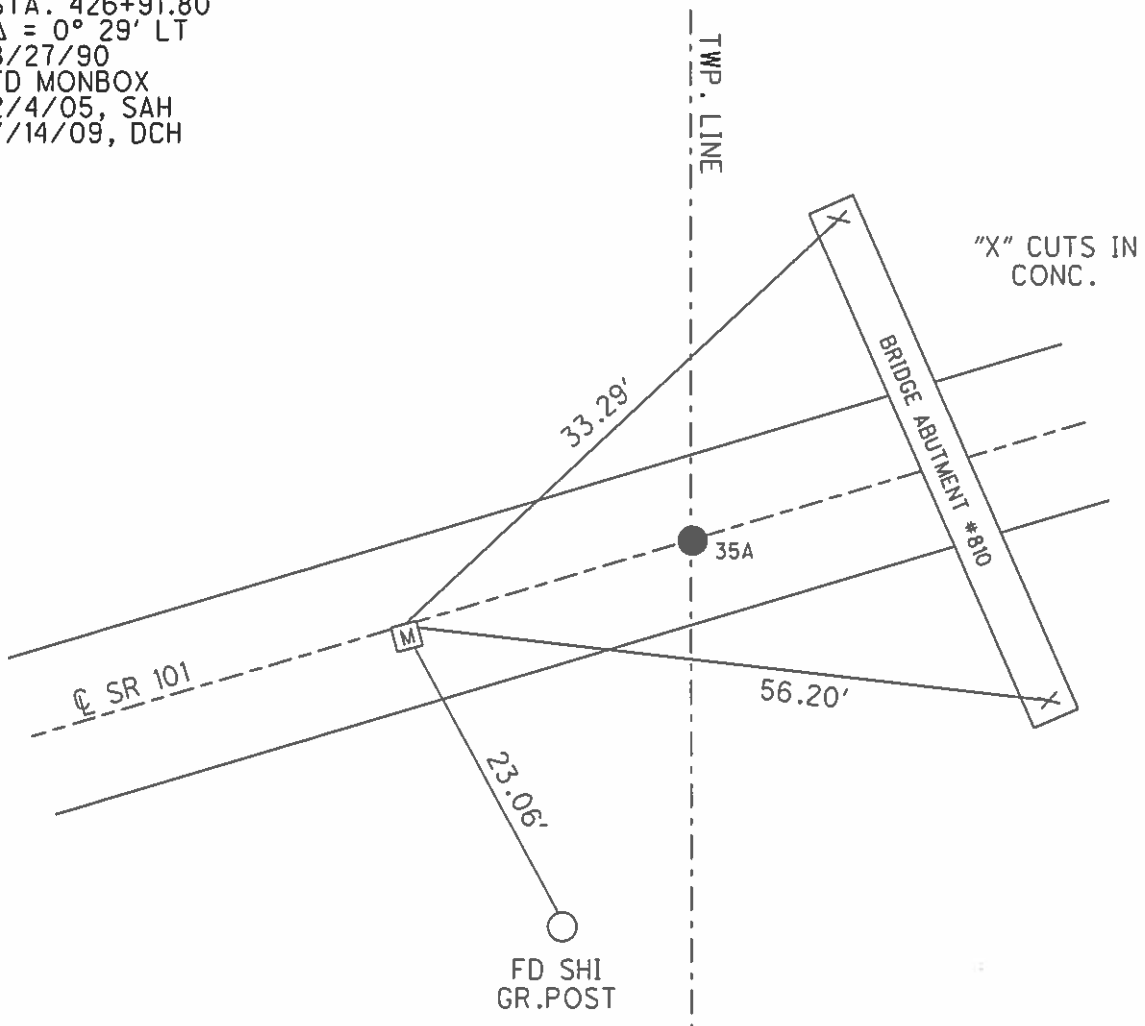
PERSONNEL	REFERENCE NO.	35	SHEET	11	OF	46
NOTES	HOMAN	DATE	7/14/09	ROUTE	SR 101	
H.C.	HOMAN	WEATHER	SUNNY	COUNTY	SENECA	
R.C.	ROUSOS	TEMP.	80°	TOWNSHIP	PLEASANT	
				SECTION	25	
				T	3	N
				R	15	E

TYPE MONUMENT MONBOX
 ON SURFACE - ~~BELOW~~ ON
~~LEFT~~ - CL PAV'T - RIGHT 1'
 - TO - EDGE PAVEMENT
 S.L.M. 425+00



GRID: NORTHING: 555287.679 EASTING: 1810504.791

RECORD: P.I.
 STA. 426+91.80
 $\Delta = 0^\circ 29' \text{ LT}$
 8/27/90
 FD MONBOX
 2/4/05, SAH
 7/14/09, DCH



O.D.O.T. DISTRICT 2 SURVEY OFFICE

PERSONNEL

REFERENCE NO. 35

SHEET 9 OF 41

NOTES RIppLE

H.C. BARBOUR

DATE 8/27/90

ROUTE SR#101

R.C. GEYMAN

WEATHER SUNNY

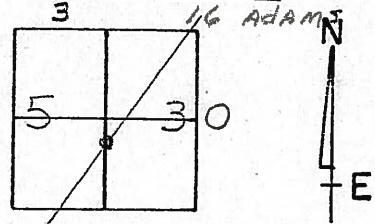
COUNTY SENECA

TEMP. 92°

TOWNSHIP Pleasant Adams

SECTION 25 30

T 3 N R 15 E Pleasant



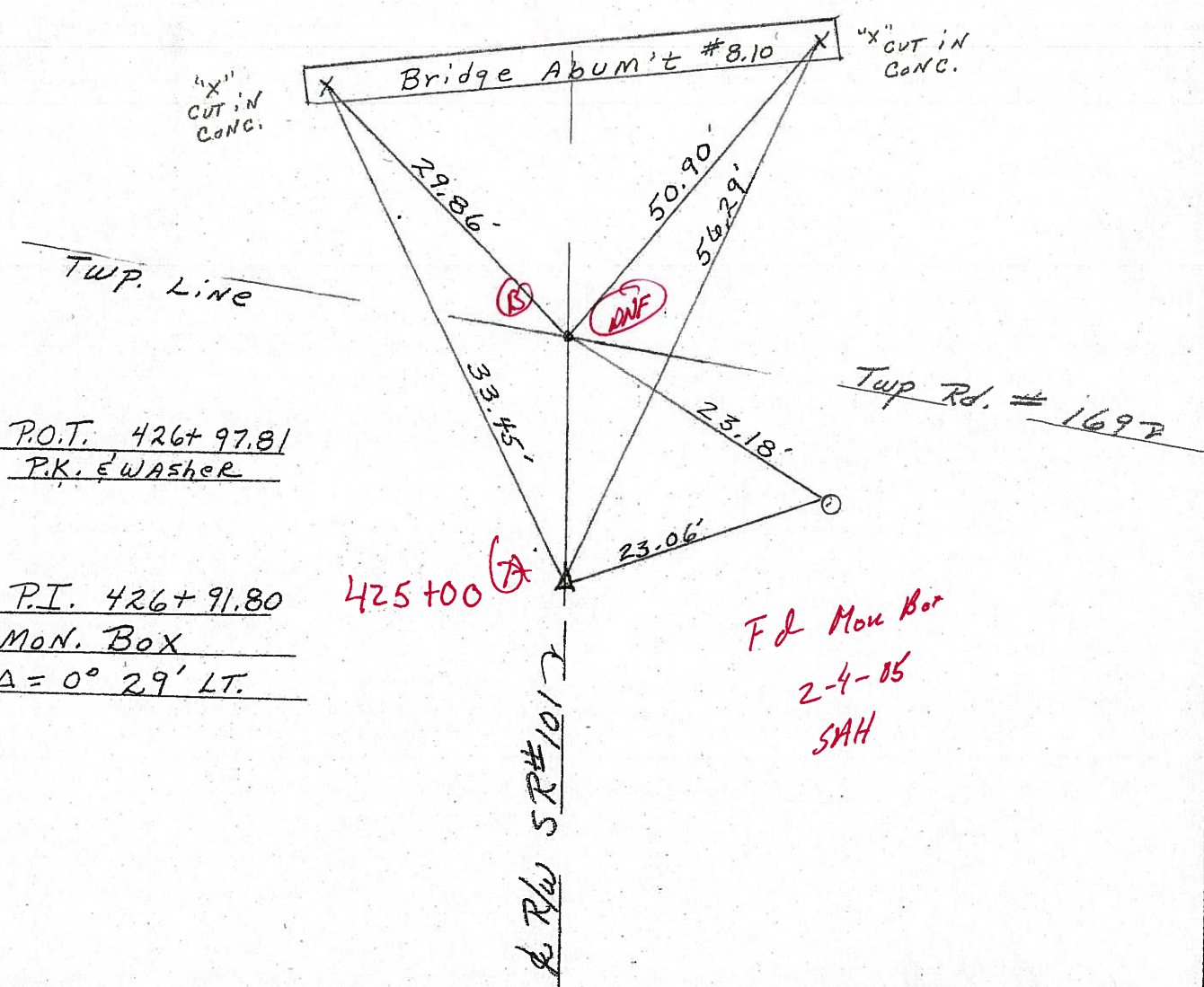
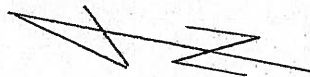
TYPE MONUMENT See Notes Below

ON SURFACE - BELOW P.O.T. = P.K. ^{NA} P.I. Mon. Box

LEFT- & PAV'T. - RIGHT & PAV'T. #35 = 1' RT

TO EDGE PAVEMENT

S.L.M. A = 425+00 B = 425+06



P.O.T. 426+97.81
P.K. & WASHER

P.I. 426+91.80
MON. BOX
A = 0° 29' LT.

425+00 (A)

**F & Mon Box
2-4-05
SAH**

O.D.O.T. DISTRICT 2 SURVEY OFFICE

PERSONNEL

REFERENCE NO. 35

SHEET 9 OF 41

NOTES RIPPLE

H.C. BARBOUR

R.C. GEYMAN

DATE 8/27/90

WEATHER SUNNY

TEMP. 92°

ROUTE SR#101

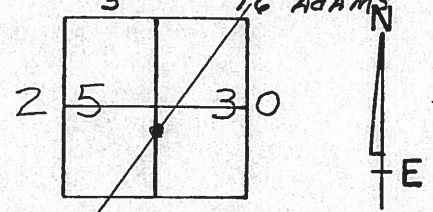
COUNTY SENECA

TOWNSHIP Pleasant Adams

SECTION 25 30

T 3 N R 15 E Pleasant

3 16 Adams



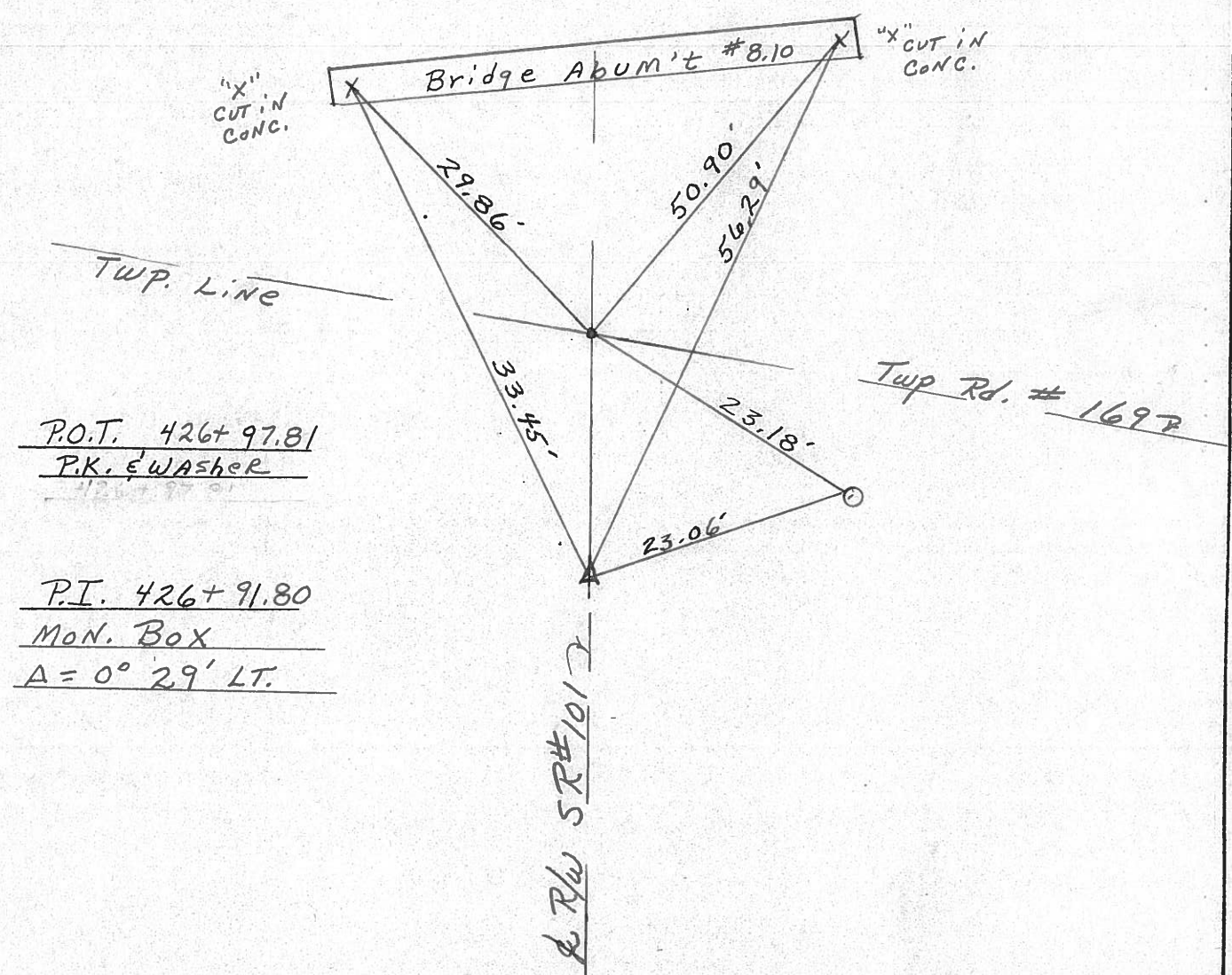
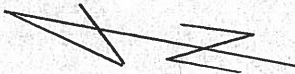
TYPE MONUMENT See Notes Below

ON SURFACE - BELOW P.O.T. = P.K.^{NAI} P.I., Mon. Box

LEFT- & PAV'T. - RIGHT & PAV'T.

TO EDGE PAVEMENT

S.L.M. _____



County Seneca S.R. 101

Date 6-26-29

Township (Pleasant) & (Adams)

Weather Sunny

Section 25 30

Temp. 75°

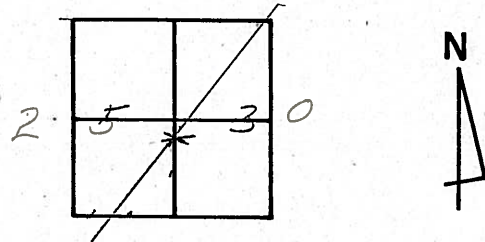
T₃N, R₁₅E Pleasant
3 Adams

Personnel Schneider

Mosser

Barbour

(35)



~~#40~~



P.O.T.

Small Spk.

426 + 97.81

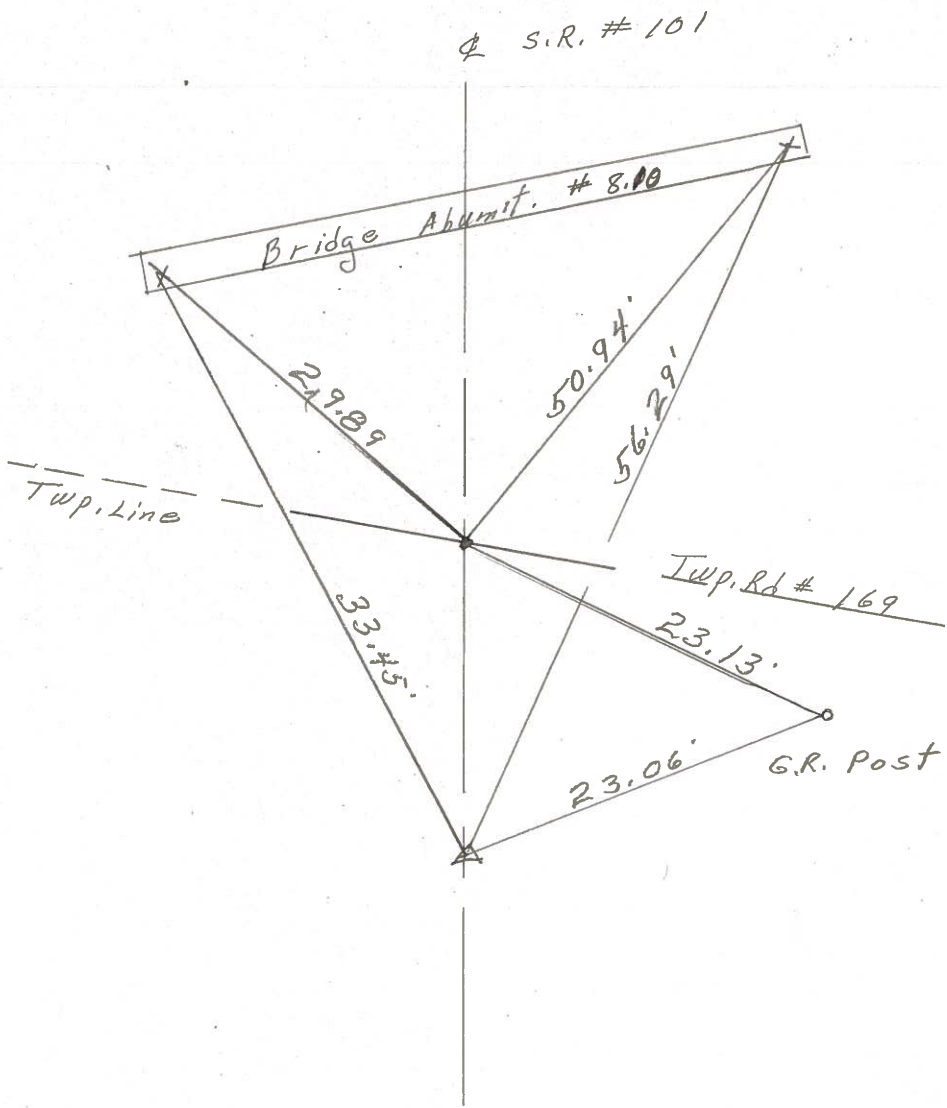
Rt. Kit Nail

P.I.

426 + 91.80

Δ = 0° 29' Lt.

Mon. Box



PERSONNEL	TITLE	PERSONNEL	TITLE	COUNTY	Seneca	DATE	4-8-77
Schneider				S. R.	101	WEATHER	Fair
Mosser				SEC.	Br 8.10	TEMP.	30° 70'
Barbour							

DESCRIPTION Ties for Control Points JOB NO. _____

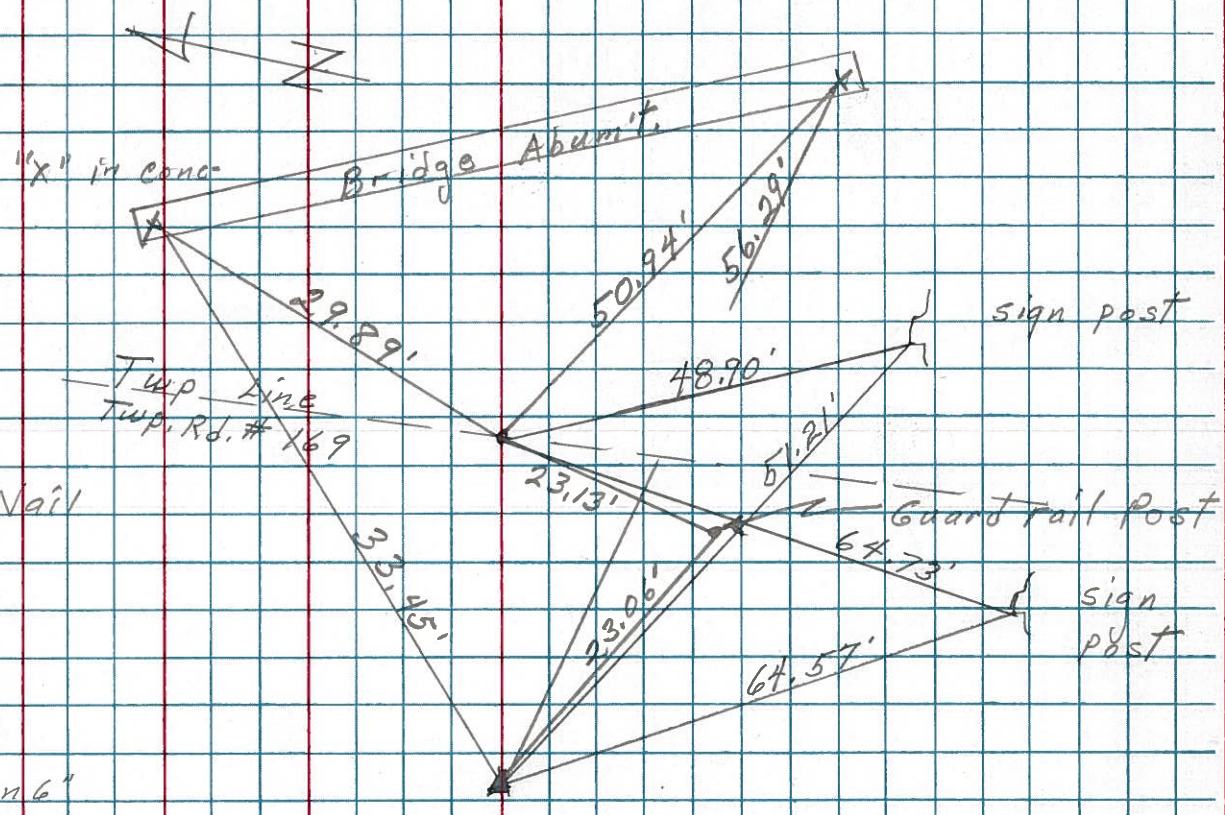
LEFT CENTER LINE RIGHT

35-A

P.O.T.
426+97.81
small spk.
Reset P.K. Nail

35

P.I.
426+91.80
sq. bolt down 6"
 $\Delta = 0^{\circ} 29' \text{ Lt.}$
P.K. on surface
Mon Box



PERSONNEL	TITLE	PERSONNEL	TITLE
<u>Schneider</u>		<u>Vinson</u>	
<u>Mosser</u>			
<u>Barbour</u>			
<u>Geyman</u>			

COUNTY Seneca DATE 10-4-71
 S. R. 101 WEATHER Fair
 SEC. Br. #8.10 TEMP. 72'

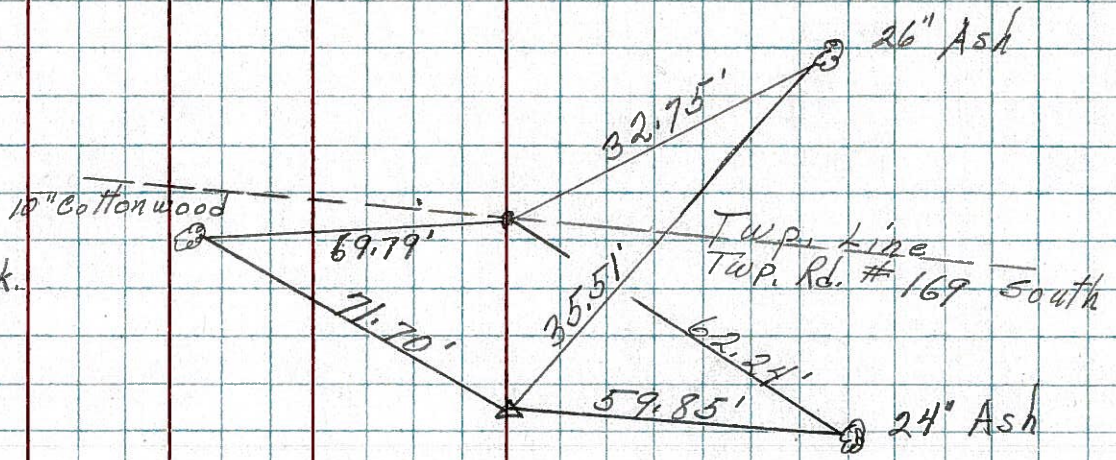
DESCRIPTION _____ JOB NO. 028270

LEFT CENTER LINE RIGHT

35-A

~~40~~

P.O.T.
 426+97.81
 set small spk.



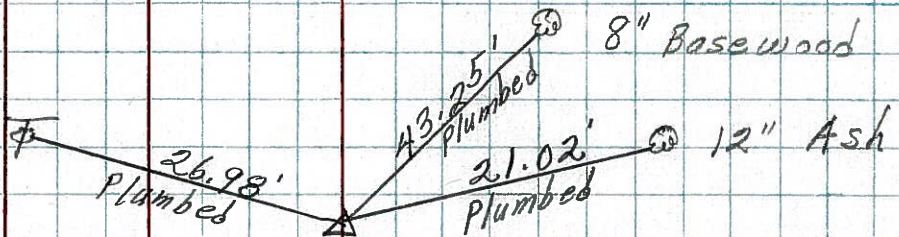
35

P.I.
 426+91.80
 Ed. sp. bolt
 $\Delta = 0^\circ 29'$ Lt.

34

~~39~~

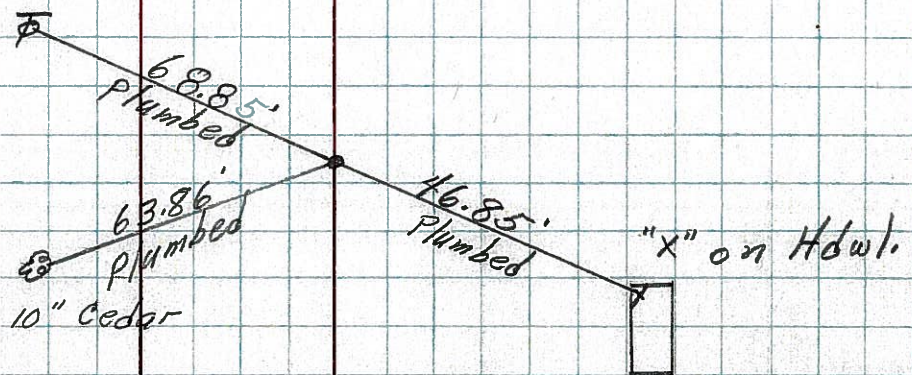
P.I.
 414+04.69
 set small spk.
 $\Delta = 9^\circ 48'$ Lt.



33

~~38~~

P.O.T.
 410+41.26
 set P.K. Nail



PERSONNEL	TITLE	PERSONNEL	TITLE	COUNTY	DATE
Krabi'll				Seneca	
Kowaleski				S. R. 101	WEATHER
Gayman				SEC.	TEMP.
Bruggman					

DESCRIPTION	LEFT	CENTER LINE	RIGHT	JOB NO.
-------------	------	-------------	-------	---------

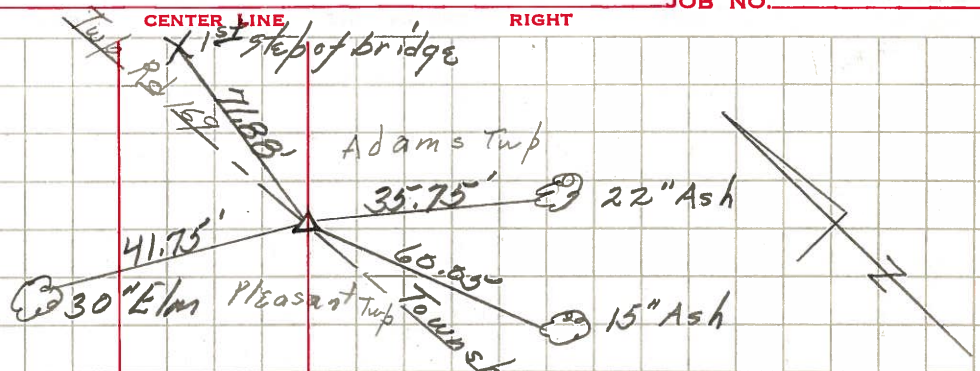
35

184+16.5

#386

P. K. nail

2-10-64



End of sec "k"

SEC 0 Sta 0+00 = 184+16.5 Sec k

Start of sec "l"

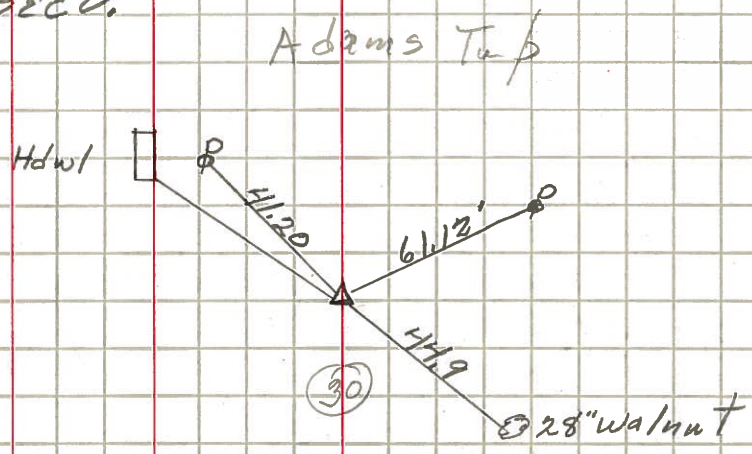
37

19+77.65

#387

P. K. nail

2-10-64



38

41+76.8

#388

P. K. nail

2-10-64

