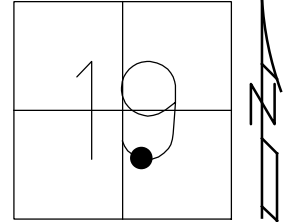


O.D.O.T. DISTRICT 2 SURVEY OFFICE (USE ONLY)

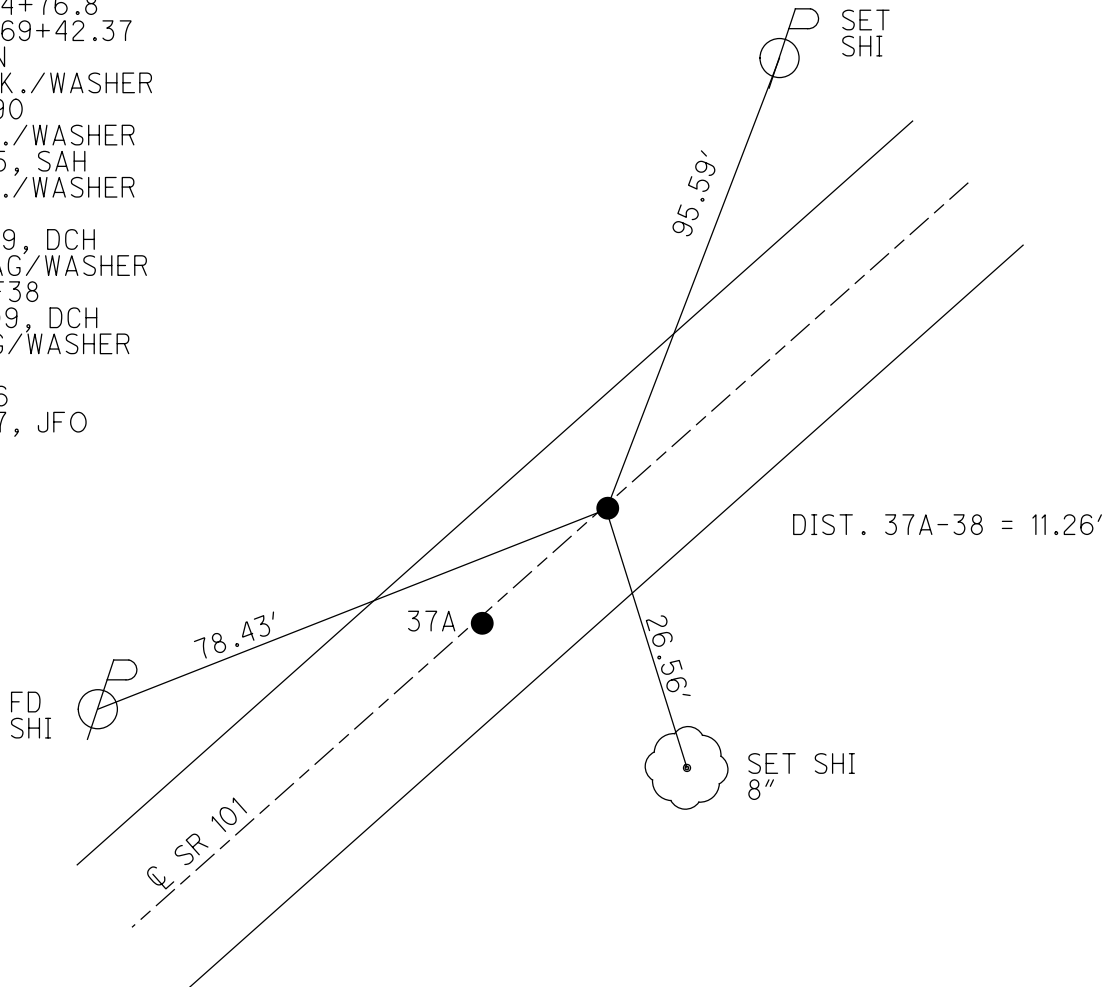
PERSONNEL _____ REFERENCE NO. 38 SHEET 16 OF 46
 NOTES HOMAN DATE 7-21-09 ROUTE SR 101
 H.C. HOMAN WEATHER SUNNY COUNTY SENECA
 R.C. ROUSOS TEMP. 75°F TOWNSHIP ADAMS
 DWG BY MAHLER PID 100787 SECTION 19
 T 3 N R 16 E

TYPE MONUMENT P.K./WASHER
 ON SURFACE - ~~BELOW~~ ON
 OFFSET 0 PAVEMENT 1' LT : ~~RT~~
TO EDGE PAVEMENT
 STATION: 467+57



HORIZ.DATUM: NAD83 (2011) GEOID: NAVD88-2012A
 GRID: NORTHING: 558529.393 EASTING: 1813251.893

RECORD: P.I.
 STA. 44+76.8
 STA. 469+42.37
 FD IPIN
 SET P.K./WASHER
 8/27/90
 FD P.K./WASHER
 2/4/05, SAH
 FD P.K./WASHER
 REF38
 7/21/09, DCH
 SET MAG/WASHER
 NEWREF38
 10/8/09, DCH
 FD MAG/WASHER
 REF38
 6/14/16
 9/18/17, JFO

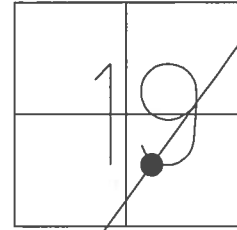


O.D.O.T. DISTRICT 2 SURVEY OFFICE (USE ONLY)

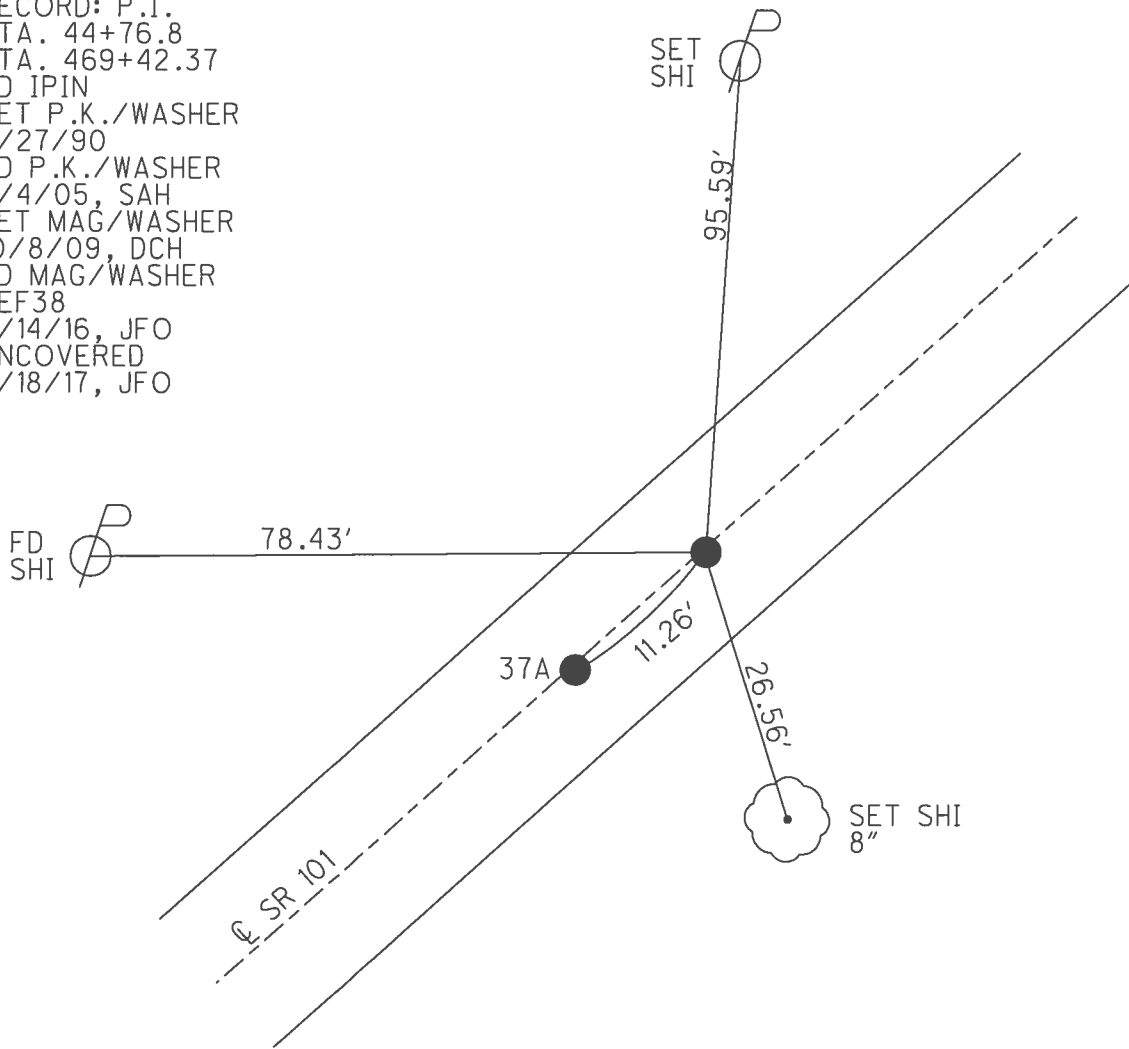
PERSONNEL	REFERENCE NO.	<u>38</u>	SHEET	<u>16</u>	OF	<u>46</u>
NOTES	HOMAN	DATE	<u>7/21/09</u>	ROUTE	<u>SR 101</u>	
H.C.	HOMAN	WEATHER	<u>SUNNY</u>	COUNTY	<u>SENECA</u>	
R.C.	ROUSOS	TEMP.	<u>75°</u>	TOWNSHIP	<u>ADAMS</u>	
				SECTION	<u>19</u>	
				T	<u>3</u>	R
					<u>16</u>	<u>E</u>

TYPE MONUMENT P.K./WASHER
 ON SURFACE - ~~BELOW~~ ON
 LEFT - ☉ PAV'T - ~~RIGHT~~ 1'
- TO - EDGE PAVEMENT
 S.L.M. 467+57

GRID: NORTHING: 558529.393 EASTING: 1813251.893



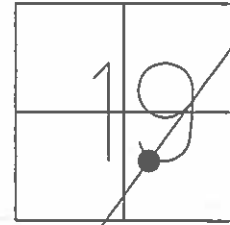
RECORD: P.I.
 STA. 44+76.8
 STA. 469+42.37
 FD IPIN
 SET P.K./WASHER
 8/27/90
 FD P.K./WASHER
 2/4/05, SAH
 SET MAG/WASHER
 10/8/09, DCH
 FD MAG/WASHER
 REF38
 6/14/16, JFO
 UNCOVERED
 9/18/17, JFO



O.D.O.T. DISTRICT 2 SURVEY OFFICE (USE ONLY)

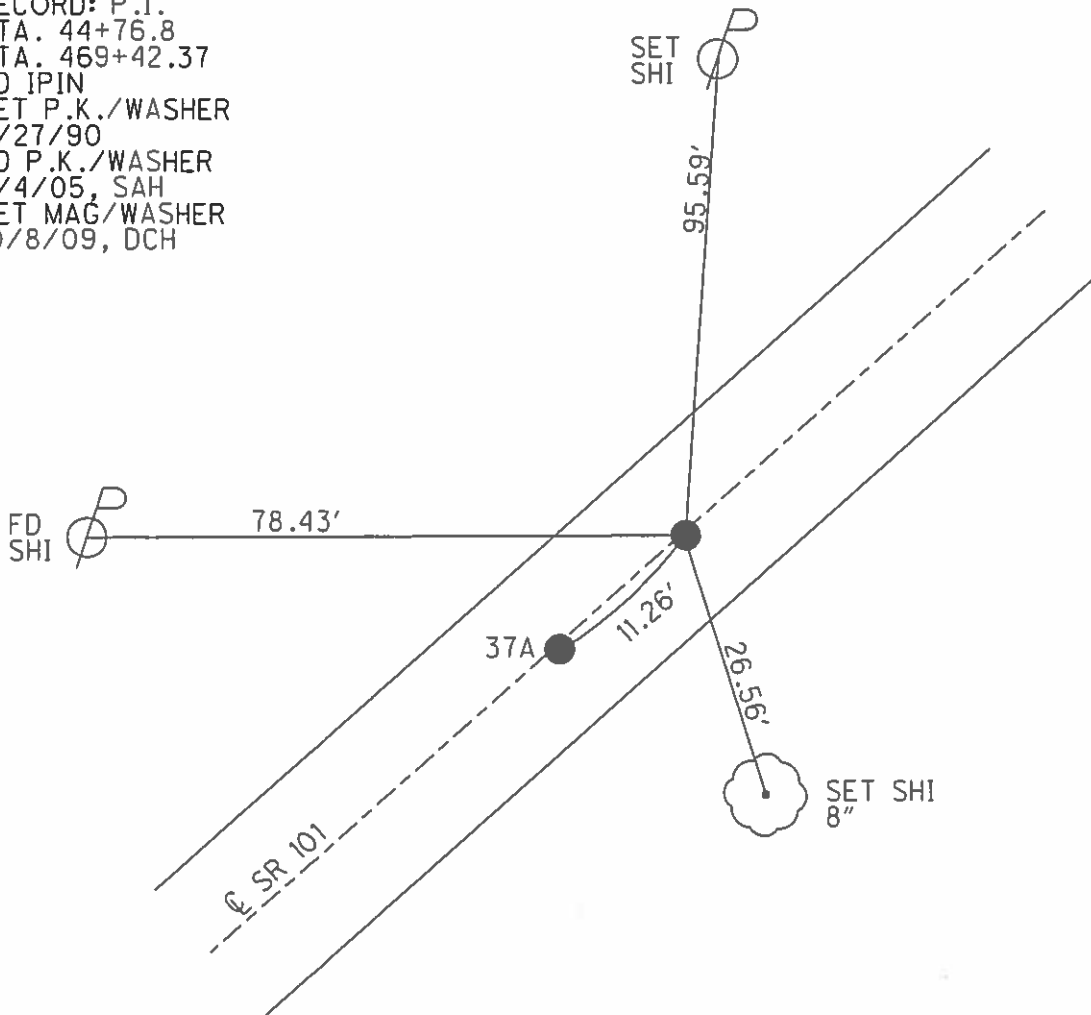
PERSONNEL _____ REFERENCE NO. 38 SHEET 16 OF 46
 NOTES HOMAN DATE 7/21/09 ROUTE SR 101
 H.C. HOMAN WEATHER SUNNY COUNTY SENECA
 R.C. ROUSOS TEMP. 75° TOWNSHIP ADAMS
 _____ SECTION 19
 _____ T 3 N R 16 E

TYPE MONUMENT P.K./WASHER
 ON SURFACE - ~~BELOW~~ ON
 LEFT - ☉ PAV'T - RIGHT ON
 _____ TO _____ EDGE PAVEMENT
 S.L.M. 467+57



GRID: NORTHING: 558529.508 EASTING: 1813251.861

RECORD: P.I.
 STA. 44+76.8
 STA. 469+42.37
 FD IPIN
 SET P.K./WASHER
 8/27/90
 FD P.K./WASHER
 2/4/05, SAH
 SET MAG/WASHER
 10/8/09, DCH



O.D.O.T. DISTRICT 2 SURVEY OFFICE

PERSONNEL

REFERENCE NO. 38

SHEET 12 OF 41

NOTES RIPPLE

H.C. BARBOUR

DATE 8/27/90

ROUTE SR. #101

R.C. GEYMAN

WEATHER SUNNY

COUNTY SENECA

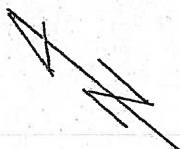
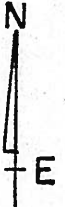
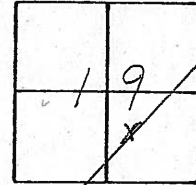
TEMP. 92°

TOWNSHIP ADAMS

SECTION 19

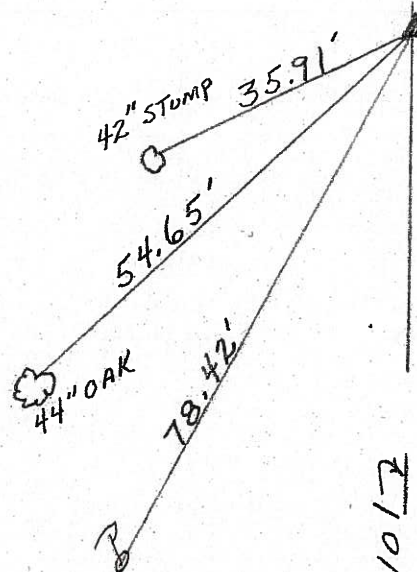
T3 N R 16 E

TYPE MONUMENT SET P.K. & WASHER
ON SURFACE - BELOW IRON PIN ON & R/W
LEFT - PAV'T. - RIGHT & PAV'T
TO EDGE PAVEMENT
S.L.M. _____



467+57

P.I. 41+76.8 = 469+42.37



Fd
2-4-05
SAH

& R/W SR#101

O.D.O.T. DISTRICT 2 SURVEY OFFICE

PERSONNEL

REFERENCE NO. 38

SHEET 12 OF 41

NOTES RIPPLE

H.C. BARBOUR

DATE 8/27/90

ROUTE S.R. #101

R.C. GEYMAN

WEATHER SUNNY

COUNTY SENECA

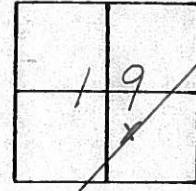
TEMP. 92°

TOWNSHIP ADAMS

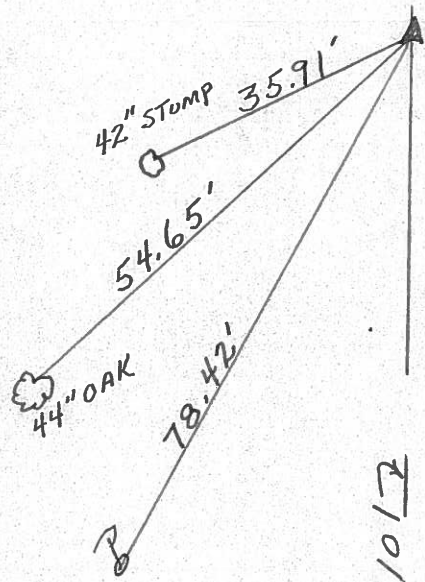
SECTION 19

T.3 N R.16 E

TYPE MONUMENT SET P.K. & WASHER
ON SURFACE - BELOW IRON PIN ON E R/W
LEFT - € PAV'T. - RIGHT & PAV'T
TO EDGE PAVEMENT
S.L.M. _____



P.I. 41+76.8 = 469+42.37



E R/W SR# 101

County Seneca S.R. 101

Date 6-25-79

Township Adams

Weather Fair

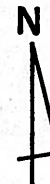
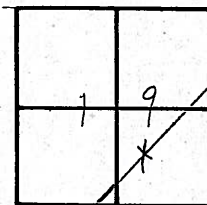
Section 19

Temp. 60°

T₃N, R₁₆E

Personnel Schneider
Mosser
Barbour

38



~~#43~~



± S.R. #101

P. I.

$41 + 76.8 = 469 + 42.37$

Iron Pin on ± R/w

Reset P.K. Nail

42" Ash



35.89'



54.82'

30" DaK



78.41'



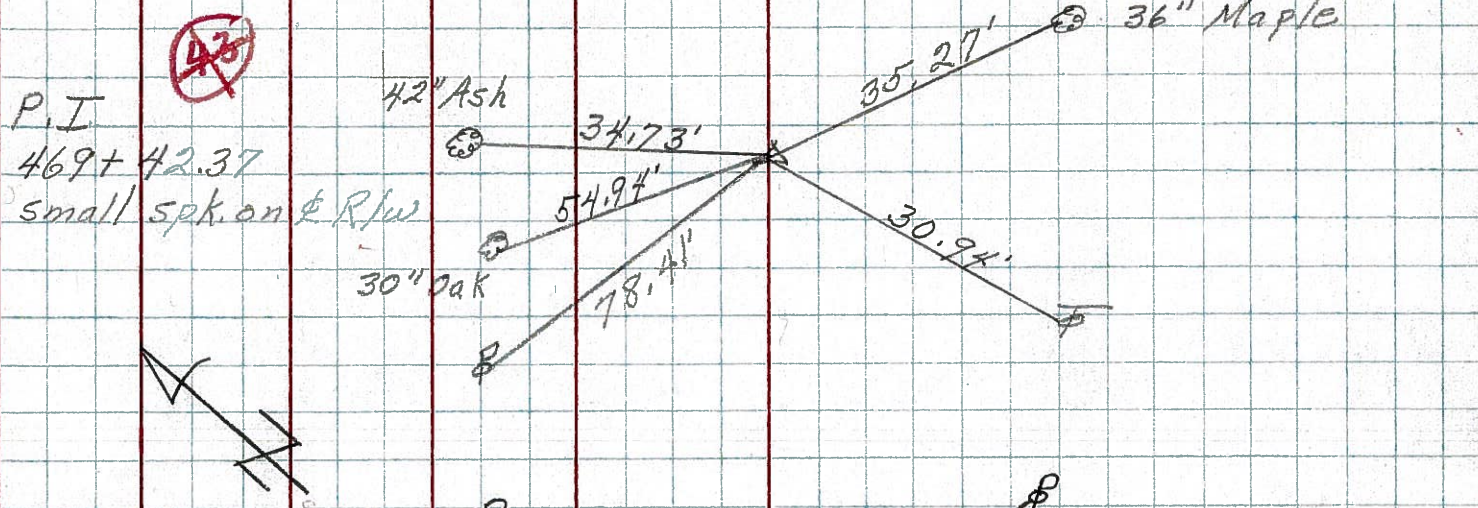
30.94'



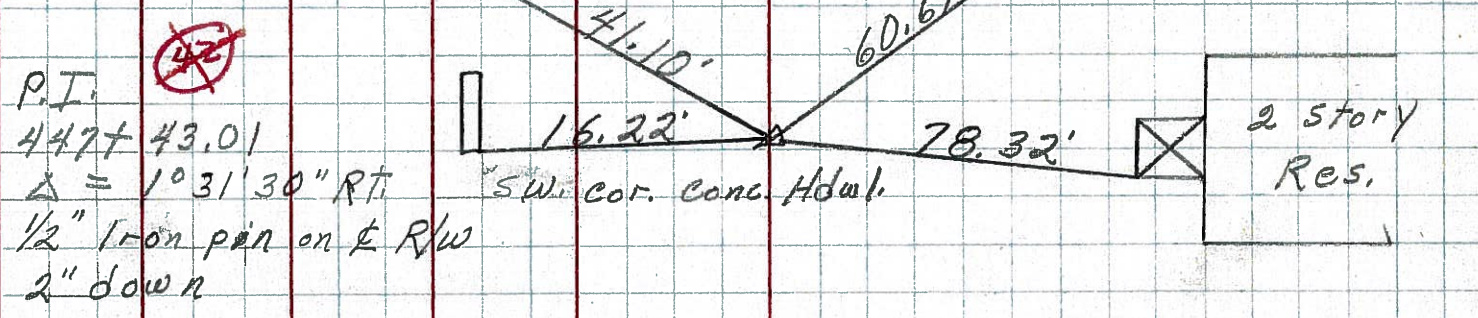
PERSONNEL	TITLE	PERSONNEL	TITLE	COUNTY	DATE
Schneider		Vinson		Seneca	9-29-71
Mosser				S. R. 101	WEATHER Hot
Barbour				SEC. Br. # 8.10	TEMP. 85°
Geyman					JOB NO. 02827(0)

DESCRIPTION Ties for Control Points

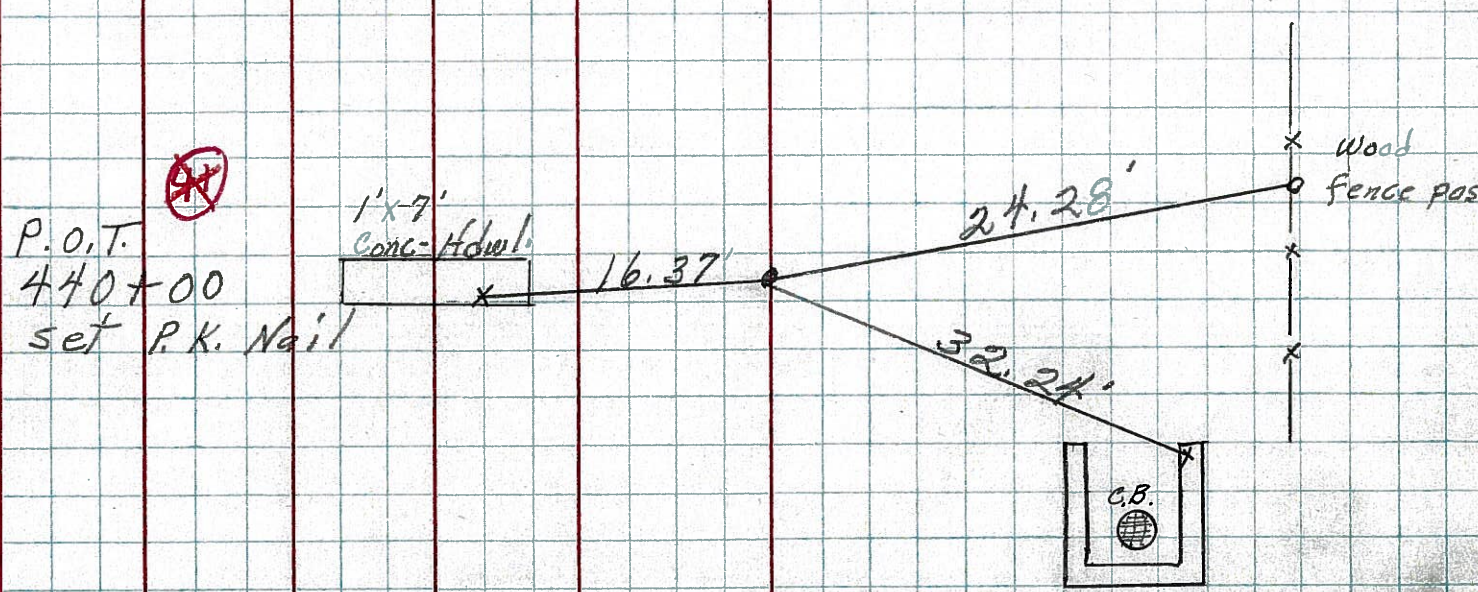
38



37



36



PERSONNEL	TITLE	PERSONNEL	TITLE	COUNTY	DATE
Krabill				Seneca	
Kowaleski				S. R. 101	WEATHER
Gayman				SEC.	TEMP.
Bruggman					

DESCRIPTION LEFT CENTER LINE RIGHT JOB NO.

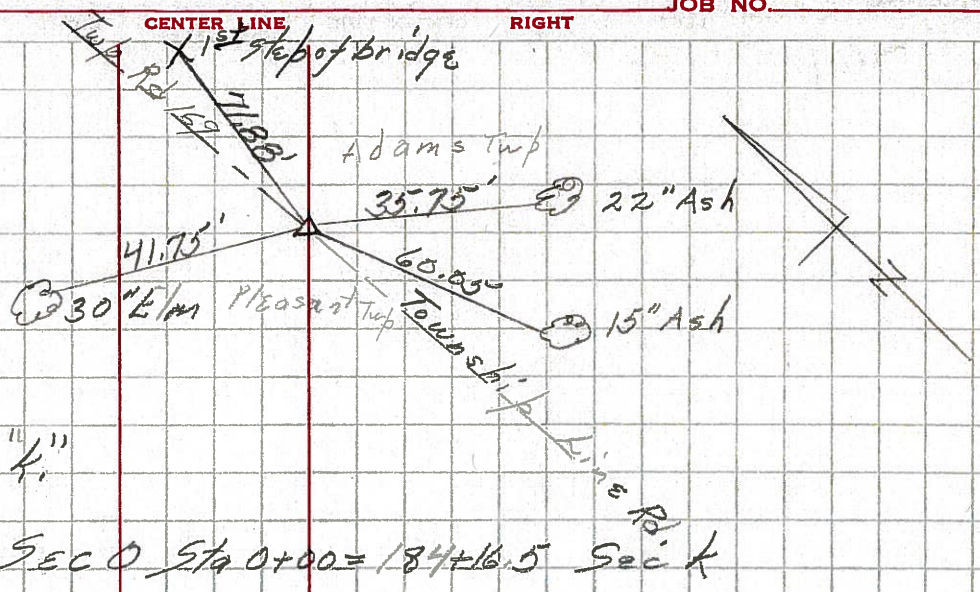
35

184+16.5

#386

P.K. nail

2-10-64



End of sec "k"

SEC O Sta 0+00 = 184+16.5 Sec k

Start of sec "0"

Adams Twp

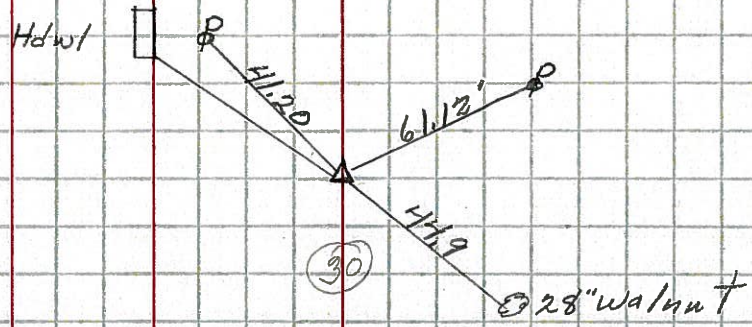
37

19+77.65

#387

P.K. nail

2-10-64



38

41+76.8

#388

P.K. nail

2-10-64

