

O.D.O.T. DISTRICT 2 SURVEY OFFICE (USE ONLY)

PERSONNEL

REFERENCE NO. 65

SHEET 45 OF 46

NOTES HOMAN

DATE 6-30-09

ROUTE SR 101

H.C. HOMAN

WEATHER CLOUDY

COUNTY SENECA

R.C. ROUSOS

TEMP. 70°F

TOWNSHIP ADAMS

SECTION 2

DWG BY MAHLER

PID 100787

T 3 N R 16 E

TYPE MONUMENT P.K./WASHER

ON SURFACE - ~~BELOW~~ ON

OFFSET 0 PAVEMENT 1' LT : RT

- TO - EDGE PAVEMENT

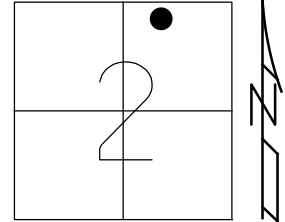
STATION: 768+96

HORZ.DATUM: NAD83 (2011)

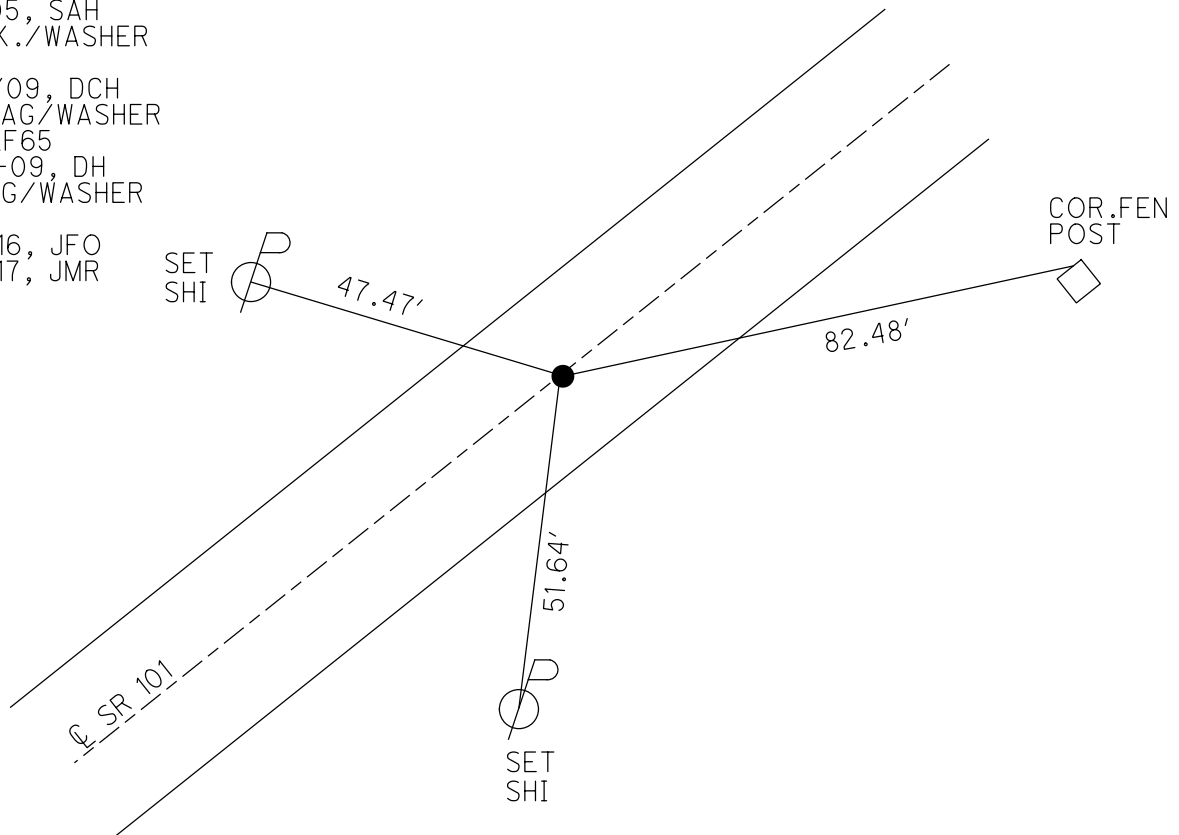
GEOID: NAVD88-2012A

GRID: NORTHING: 578620.258

EASTING: 1835595.787



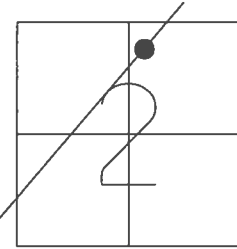
RECORD:  
 STA. 259+00  
 FD IPIN  
 4" BELOW  
 SET P.K./WASHER  
 8/29/90, BARBOUR  
 FD P.K./WASHER  
 2/7/05, SAH  
 FD P.K./WASHER  
 REF65  
 6/30/09, DCH  
 SET MAG/WASHER  
 NEWREF65  
 10-07-09, DH  
 FD MAG/WASHER  
 REF65  
 6/16/16, JFO  
 9/12/17, JMR



O.D.O.T. DISTRICT 2 SURVEY OFFICE (USE ONLY)

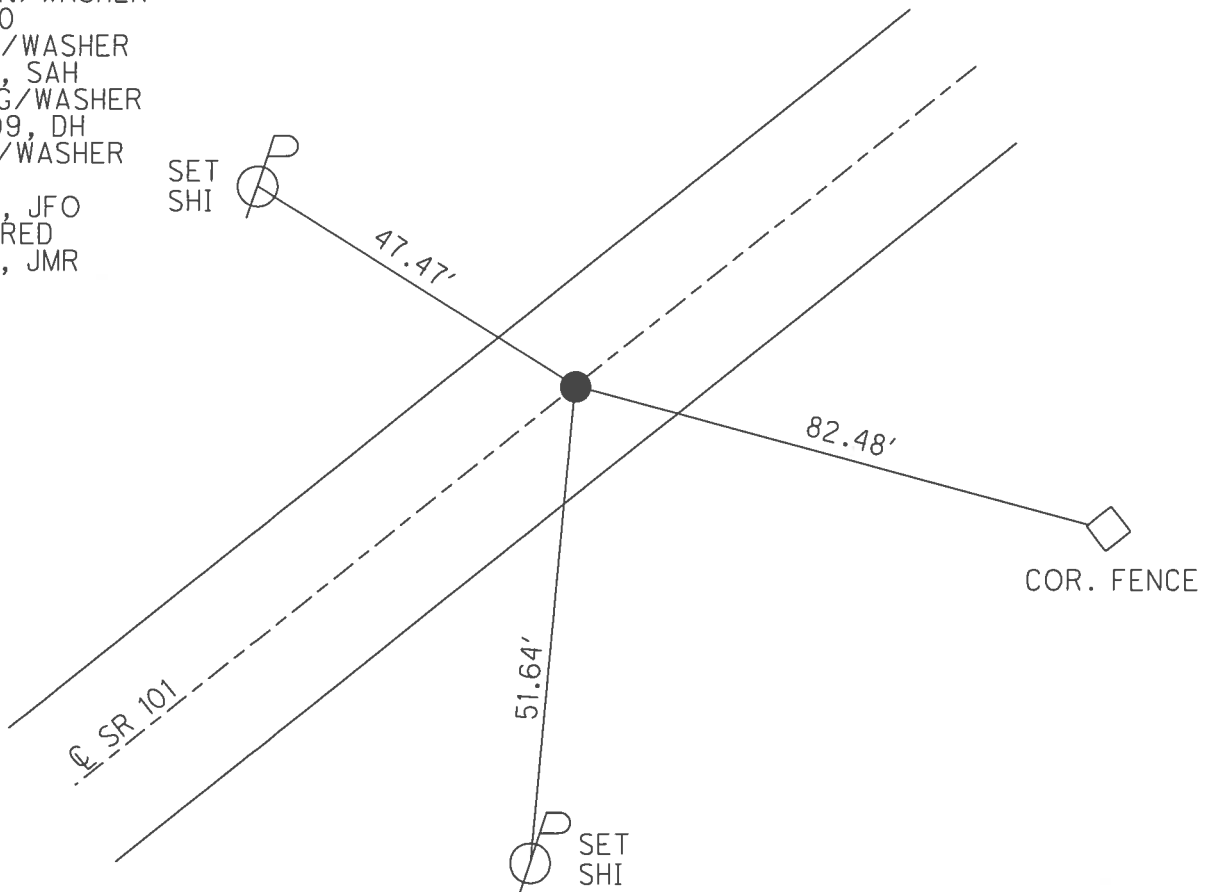
PERSONNEL	REFERENCE NO.	<u>65</u>	SHEET	<u>45</u>	OF	<u>46</u>
NOTES	HOMAN	DATE	<u>6/30/09</u>	ROUTE	<u>SR 101</u>	
H.C.	HOMAN	WEATHER	<u>CLOUDY</u>	COUNTY	<u>SENECA</u>	
R.C.	ROUSOS	TEMP.	<u>70°</u>	TOWNSHIP	<u>ADAMS</u>	
				SECTION	<u>2</u>	
				T	<u>3</u>	R
					<u>N</u>	<u>16</u>
					<u>E</u>	

TYPE MONUMENT P.K./WASHER  
~~ON SURFACE~~ - BELOW ON  
 LEFT - Q PAV'T - ~~RIGHT~~ 1'  
- TO - EDGE PAVEMENT  
 S.L.M. 768+96



GRID: NORTHING: 578620.258 EASTING: 1835595.787

RECORD:  
 STA. 259+00  
 FD IPIN  
 4" BELOW  
 SET P.K./WASHER  
 8/29/90  
 FD P.K./WASHER  
 2/7/05, SAH  
 SET MAG/WASHER  
 10-07-09, DH  
 FD MAG/WASHER  
 REF65  
 6/16/16, JFO  
 UNCOVERED  
 9/12/17, JMR



O.D.O.T. DISTRICT 2 SURVEY OFFICE (USE ONLY)

PERSONNEL \_\_\_\_\_ REFERENCE NO. 65 SHEET 45 OF 46  
 NOTES HOMAN \_\_\_\_\_ DATE 6/30/09 ROUTE SR 101  
 H.C. HOMAN \_\_\_\_\_ WEATHER CLOUDY COUNTY SENECA  
 R.C. ROUSOS \_\_\_\_\_ TEMP. 70° TOWNSHIP ADAMS  
 \_\_\_\_\_ SECTION 2  
 \_\_\_\_\_ T 3 N R 16 E

TYPE MONUMENT P.K./WASHER

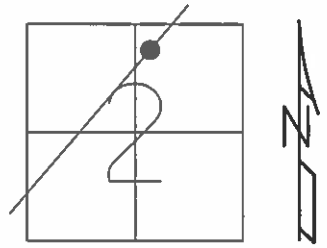
~~ON SURFACE~~ - BELOW ON

LEFT - ☉ PAV'T - ~~RIGHT~~ 1'

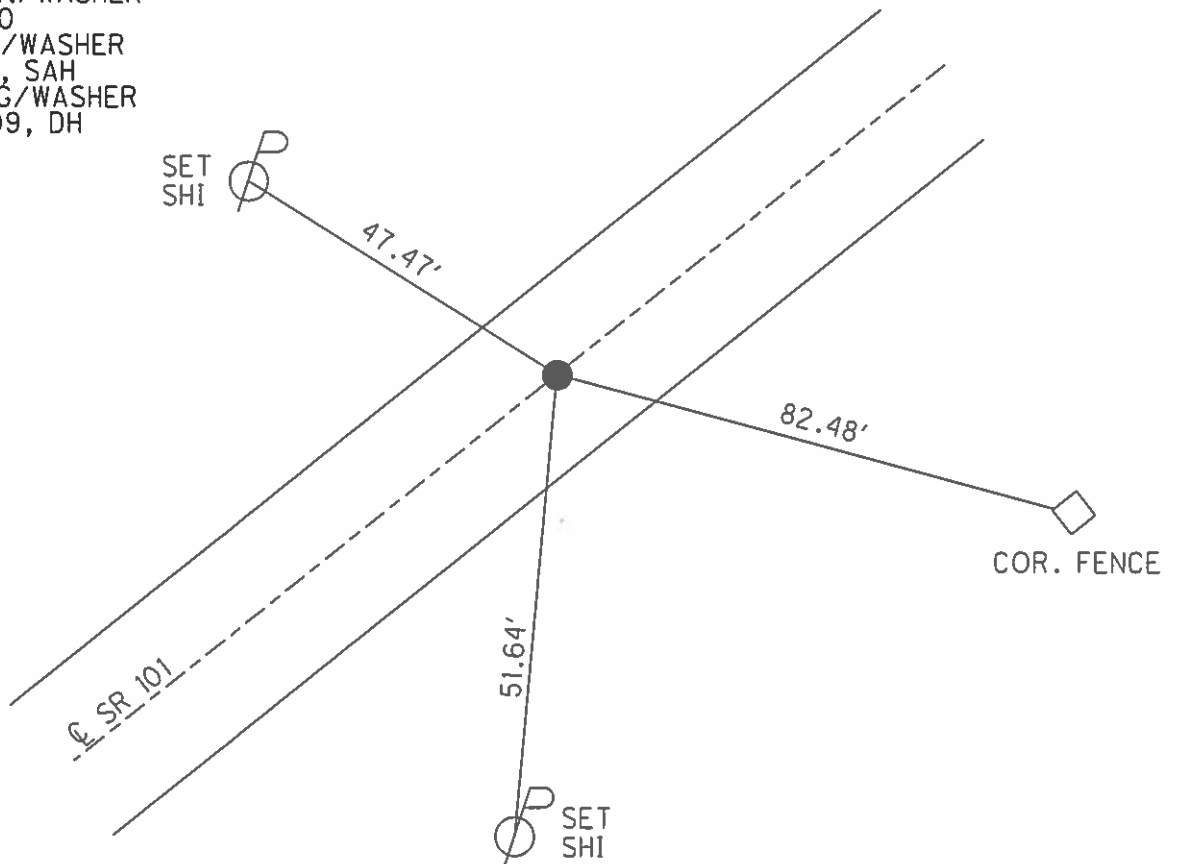
- TO - EDGE PAVEMENT

S.L.M. 768+96

GRID: NORTHING: 578620.349 EASTING: 1835595.738



RECORD:  
 STA. 259+00  
 FD IPIN  
 4" BELOW  
 SET P.K./WASHER  
 8/29/90  
 FD P.K./WASHER  
 2/7/05, SAH  
 SET MAG/WASHER  
 10-07-09, DH



O.D.O.T. DISTRICT 2 SURVEY OFFICE

PERSONNEL

REFERENCE NO. 65

SHEET 40 OF 41

NOTES Ripple

H.C. Barbour

R.C. Geyman

DATE 8-29-90

WEATHER Cloudy

TEMP. 79°

ROUTE 101

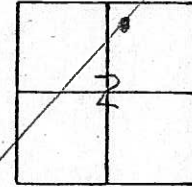
COUNTY Sen.

TOWNSHIP Adams

SECTION 2

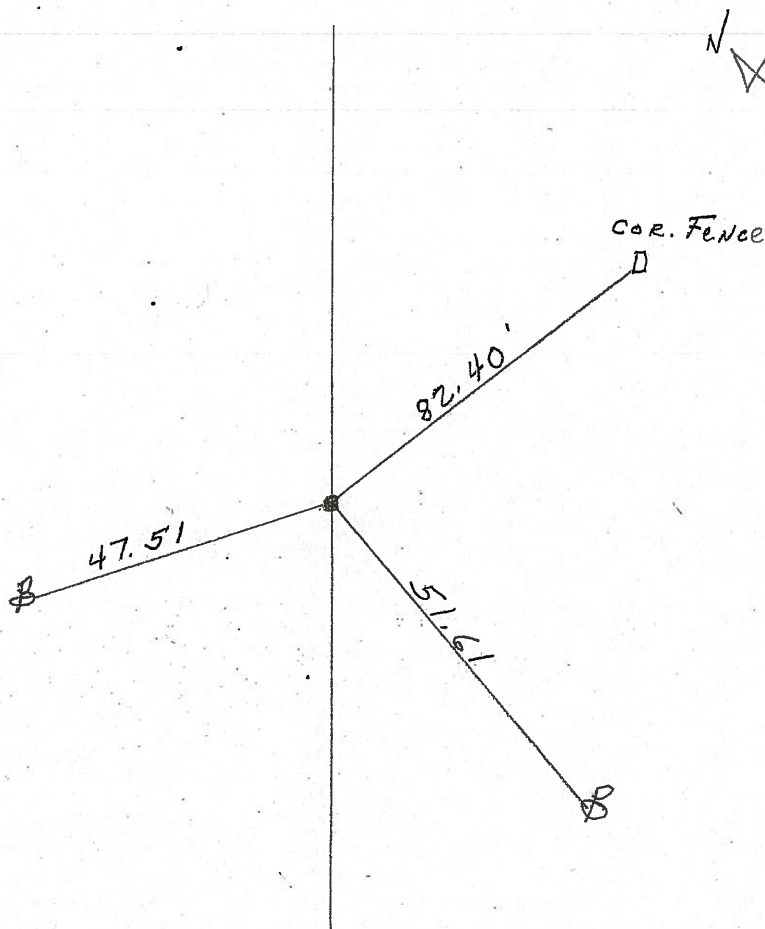
T3 N R 16 E

TYPE MONUMENT set P.K. - Washer  
ON SURFACE - BELOW I. Pin 4" below  
LEFT- & PAV'T. - RIGHT 1' Left  
\_\_\_\_ TO \_\_\_\_ EDGE PAVEMENT  
S.L.M. \_\_\_\_\_



768+96

STA. 259+00



fd

2-7-05

SAH

O.D.O.T. DISTRICT 2 SURVEY OFFICE

PERSONNEL

REFERENCE NO. 65

SHEET 40 OF 41

NOTES Pipile

H.C. BARBOUR

DATE 8-29-90

ROUTE 101

R.C. GEYMAN

WEATHER Cloudy

COUNTY SEN.

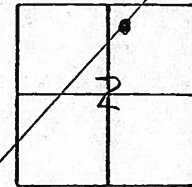
TEMP. 79°

TOWNSHIP ADAMS

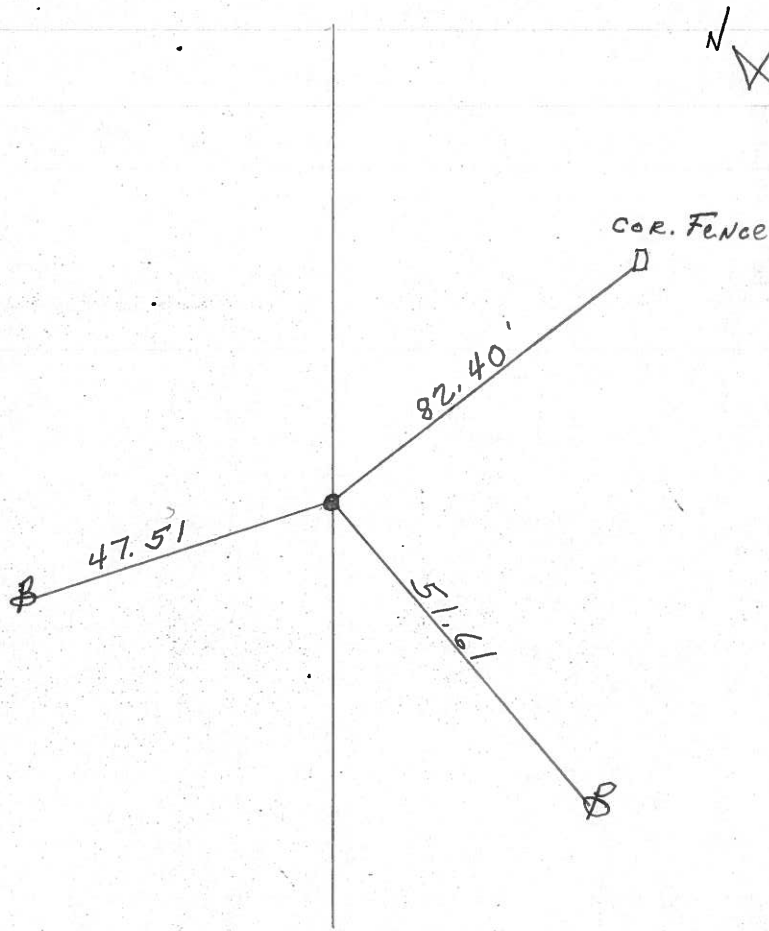
SECTION 2

T3 N R 16 E

TYPE MONUMENT Set P.K. - Washer  
ON SURFACE - BELOW I. Pin 4" below  
LEFT - & PAV'T. - RIGHT 1' Left  
TO EDGE PAVEMENT  
S.L.M. \_\_\_\_\_



STA. 259+00



PERSONNEL TITLE PERSONNEL TITLE

COUNTY Seneca DATE 2-14-64

Krabill

Kowaleski

S. R. # 101

WEATHER

Geyman

SEC.

TEMP.

Bruggeman

DESCRIPTION S. R. # 101 Tiffin to Sen. Co. line

JOB NO.

LEFT

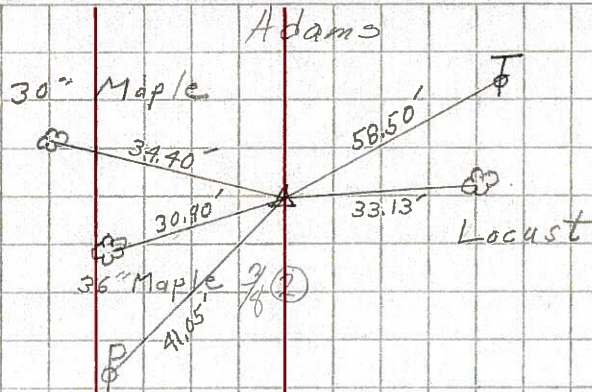
CENTER LINE

RIGHT

64

STA. 249+00

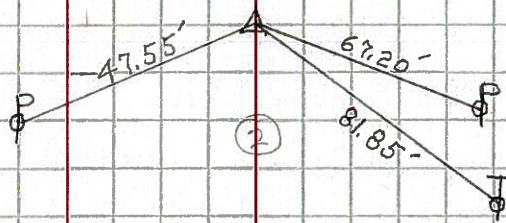
Iron Pin # 414



65

STA. 259+00

Iron Pin # 415



STA. 272+14.70

Iron Pin # 416  
San. - Seneca Co. Line

