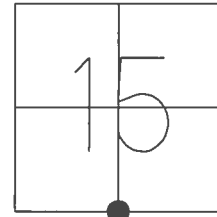


O.D.O.T. DISTRICT 2 SURVEY OFFICE (USE ONLY)

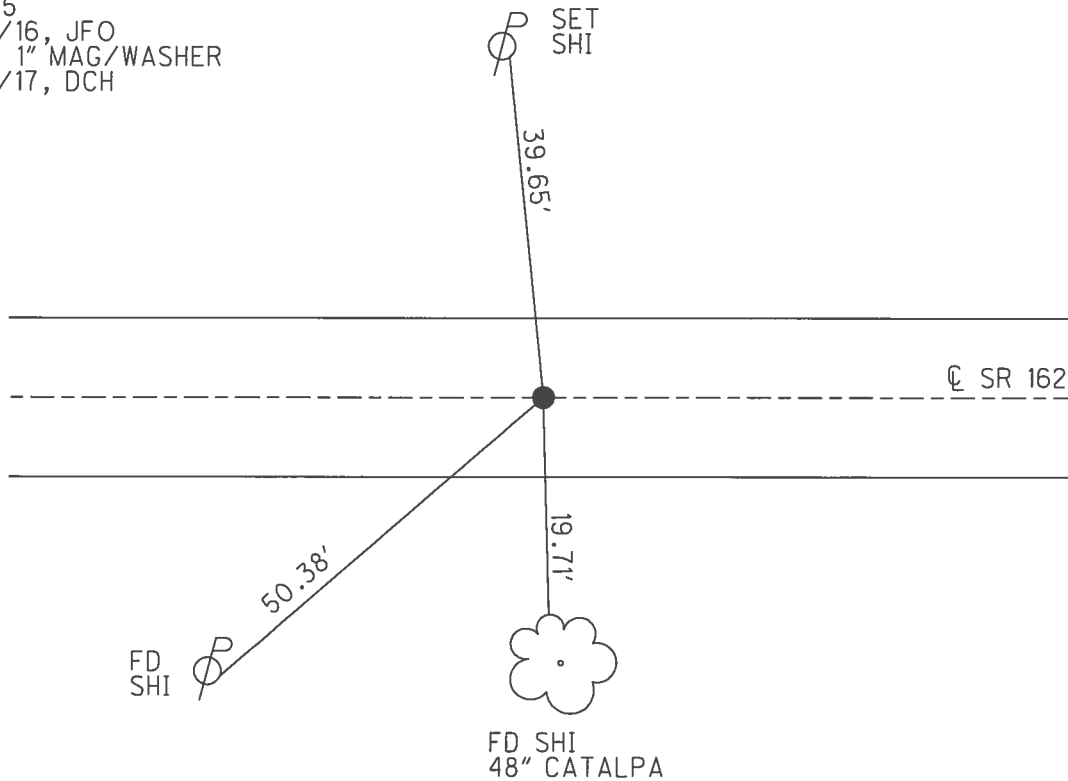
PERSONNEL \_\_\_\_\_ REFERENCE NO. 5 SHEET 6 OF 32  
 NOTES RHOADES \_\_\_\_\_ DATE 8/1/17 ROUTE SR 162  
 H.C. HOMAN \_\_\_\_\_ WEATHER SUNNY COUNTY SENECA  
 R.C. CARSON \_\_\_\_\_ TEMP. 70° TOWNSHIP SCIPPIO  
 POORE \_\_\_\_\_ SECTION 15  
 T 2 N R 16 E

TYPE MONUMENT MAG/WASHER  
 ON SURFACE - ~~BELOW~~ ON  
~~LEFT~~ - CL PAV'T - RIGHT 1.6'  
- TO - EDGE PAVEMENT  
 S.L.M. 30+53



GRID: NORTHING: 531605.452 EASTING: 1829146.575

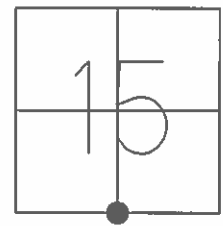
RECORD: P.I.  
 $\Delta = 00^{\circ}10' \text{ LT}$   
 STA. 187+61.6  
 FD MINE SPIKE 3" DOWN  
 FD LARGE RR SPIKE 5" DOWN  
 FD HARROW TOOTH 15" DOWN  
 DUG DOWN 24" DNF STONE  
 SET MAG/WASHER  
 10/6/04, DCH  
 FD MAG/WASHER  
 REF5  
 1/8/16, JFO  
 SET 1" MAG/WASHER  
 8/1/17, DCH



**O.D.O.T. DISTRICT 2 SURVEY OFFICE (USE ONLY)**

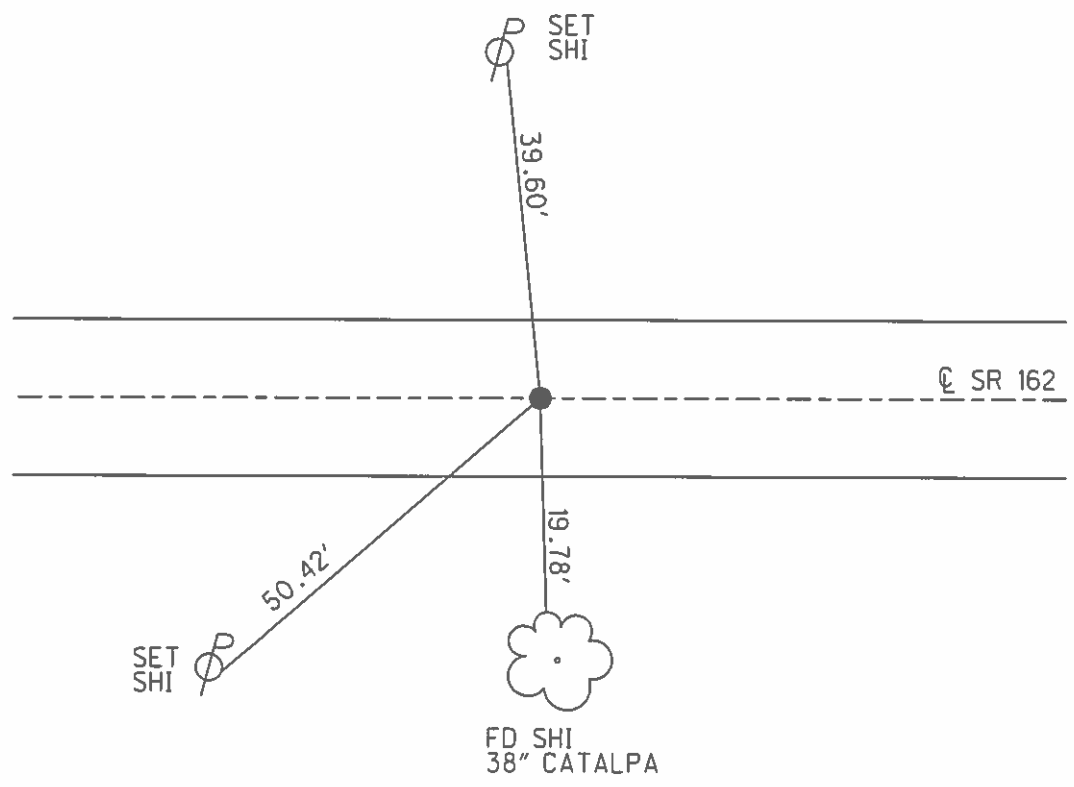
PERSONNEL \_\_\_\_\_ REFERENCE NO. 5 SHEET 6 OF 32  
 NOTES HOMAN \_\_\_\_\_ DATE 4/13/04 ROUTE SR 162  
 H.C. HOMAN \_\_\_\_\_ WEATHER CLOUDY COUNTY SENECA  
 R.C. ARMS \_\_\_\_\_ TEMP. 45° TOWNSHIP SCIPIO  
 \_\_\_\_\_ SECTION 15  
 \_\_\_\_\_ T 2 N R 16 E

TYPE MONUMENT P.K./WASHER  
 ON SURFACE - ~~BELOW~~ ON \_\_\_\_\_  
~~LEFT~~ - ℄ PAV'T - RIGHT 1.6'  
 - TO - EDGE PAVEMENT  
 S.L.M. 30+53



GRID: NORTHING: \_\_\_\_\_ EASTING: \_\_\_\_\_

RECORD: P.I.  
 $\Delta = 00^{\circ}10' \text{ LT}$   
 STA. 187+61.6  
 FD MINE SPIKE 3" DOWN  
 FD LARGE RR SPIKE 5" DOWN  
 FD HARROW TOOTH 15" DOWN  
 DUG DOWN 24" DNF STONE  
 SET MAG/WASHER  
 10/6/04, DCH



O.D.O.T. DISTRICT 2 SURVEY OFFICE

PERSONNEL \_\_\_\_\_

REFERENCE NO. 5

SHEET 5 OF 30

NOTES HOMAN

DATE 4-13-04

ROUTE SR 162

H.C. HOMAN

WEATHER CLOUDY

COUNTY SENECA

R.C. ARMS

TEMP. 45°

TOWNSHIP SCIPPIO

SECTION 15

T 2 N R 16 E

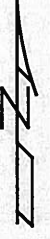
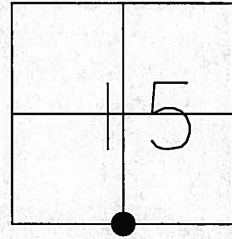
TYPE MONUMENT PK & WASHER

ON SURFACE ~~BELOW~~ ON

~~LEFT~~ Q ~~PAV'T~~ - RIGHT 1.6' RT

TO EDGE PAVEMENT

S.L.M. 30+53



1979

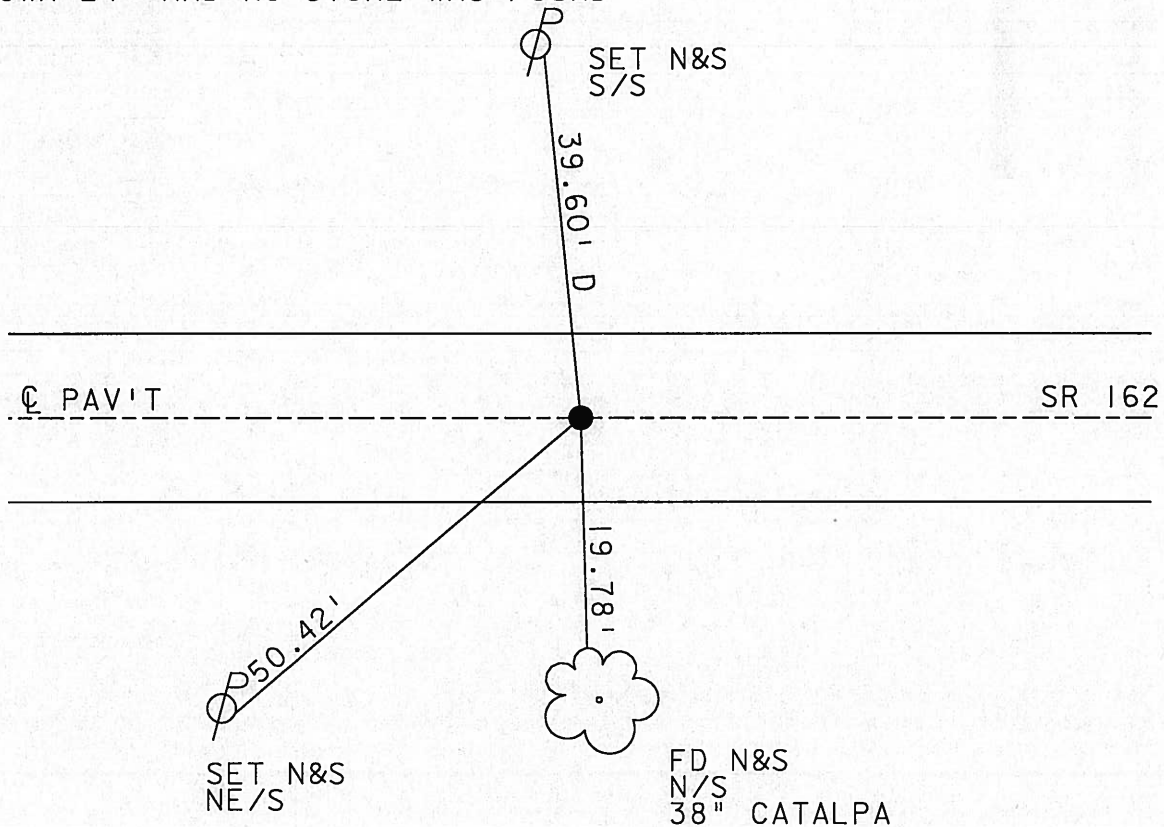
RECORD: PI DELTA=00°-10' LT

STA 187+61.6

FD MINE SPIKE 3 1/2" BELOW PK NAIL  
 FD LARGE RR SPIKE 5 1/2" BELOW PK NAIL  
 FD HARROW TOOTH 15" BELOW PK NAIL  
 DUG DOWN 24" AND NO STONE WAS FOUND

SET MAG NAIL  
 & WASHER  
 10-06-04  
 DCH

2004



County Seneca SR-162

Date 6-11-79

Township Scio

Weather Fair

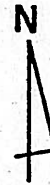
Section 15

Temp. 65°

T2N, R16E

Personnel Schneider

15	14
*	
22	23



5



Fd PK & Washer on Surface  
1.6 Rt of E

4-13-04

Sta 30+53 @ S.R. # 162

Cloudy  
45°

Reset Mag Nail & Washer  
10-06-04  
DCH

Human Notes HE

Arms RC

P.I.

187+61.6

R. R. Spk.

Mine on top

Rt. of E

$\Delta = 0^\circ 10' Lt.$

Set 39.60'

56.23'  
Plumbed  
Direct

65.46' 20" Catalpa

19.78'  
20.11'

30.42' 38" Basswood  
CATALPA

Fd Mine Spike 3 1/2" Down  
Fd Large RR Spk 5 1/2" "  
Fd 1" Iron Bar Square 15" Down  
9" Long

Dug Down 24" Fd  
No Stone

# O.D.O.T. DISTRICT 2 SURVEY OFFICE

PERSONNEL \_\_\_\_\_

REFERENCE NO. 5

SHEET 5 OF 30

NOTES Ripple

H.C. Barbour

R.C. Geyman

DATE 10-23-90

WEATHER Cloudy

TEMP. 50

ROUTE 162

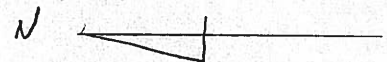
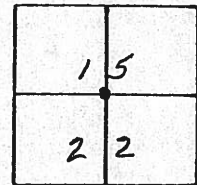
COUNTY Sen.

TOWNSHIP Scipio

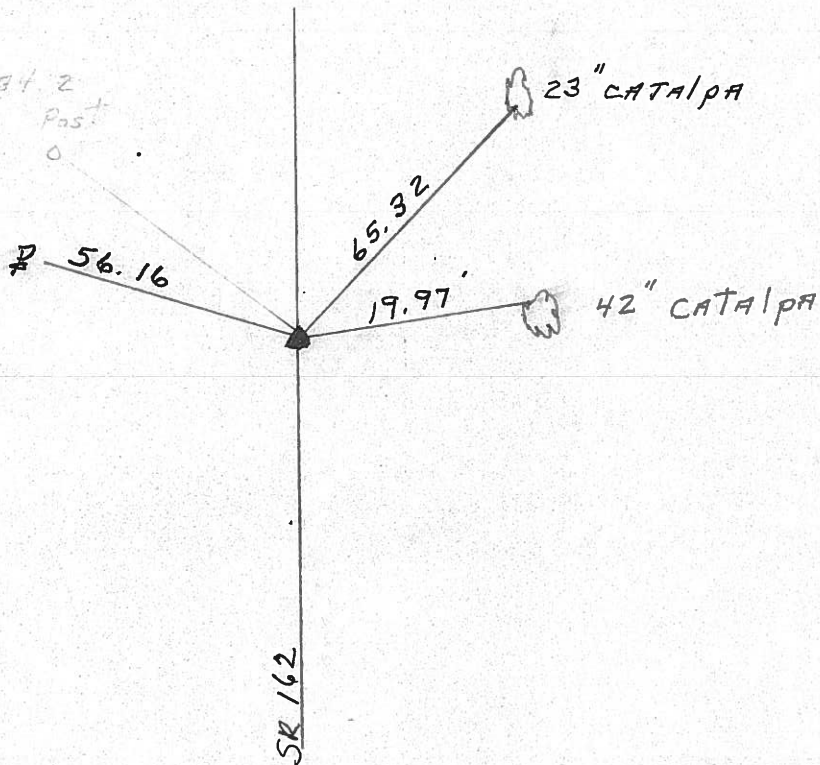
SECTION 15 + 22

T 2 N R 16 E

TYPE MONUMENT P.K. + Washer  
 ON SURFACE - BELOW Boat Spike 2" down  
 LEFT - € PAV'T. - RIGHT 1.5' FT. & Pavmt.  
TO EDGE PAVEMENT  
 S.L.M. 187 + 61.60



0.234 2  
645 Post



PI. Δ = 00' 10" RT.

County Seneca S.R. #162

Date 1/3/84

Township Scipio

Weather overcast

Section 15 & 22

Temp. 30°

T2N, R16E

Personnel Cronin

1	5
2	2

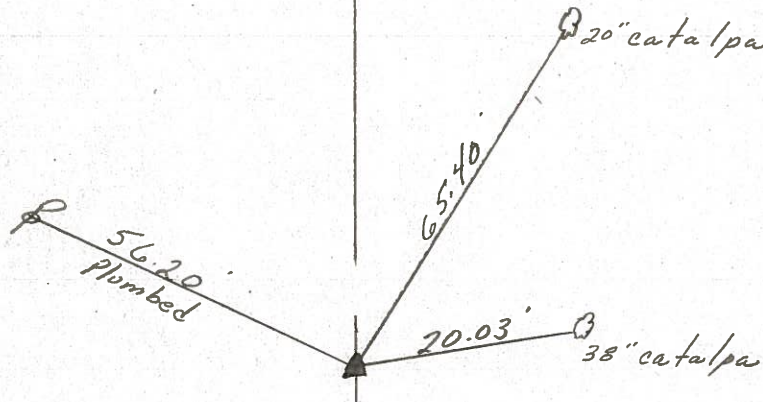


# 5

Ripple

Geyman

Barbour



P.I. - A = 00°10' Lt.

187+61.60

Fd. boat spike atop R.R.  
spike 1.5' Rt. & Point.

S.S.R. #162

County Seneca SR-162

Date 6-11-79

Township Sciprio

Weather Fair

Section 15

Temp. 65°

T<sub>2</sub>N, R<sub>16</sub>E

Personnel Schneider

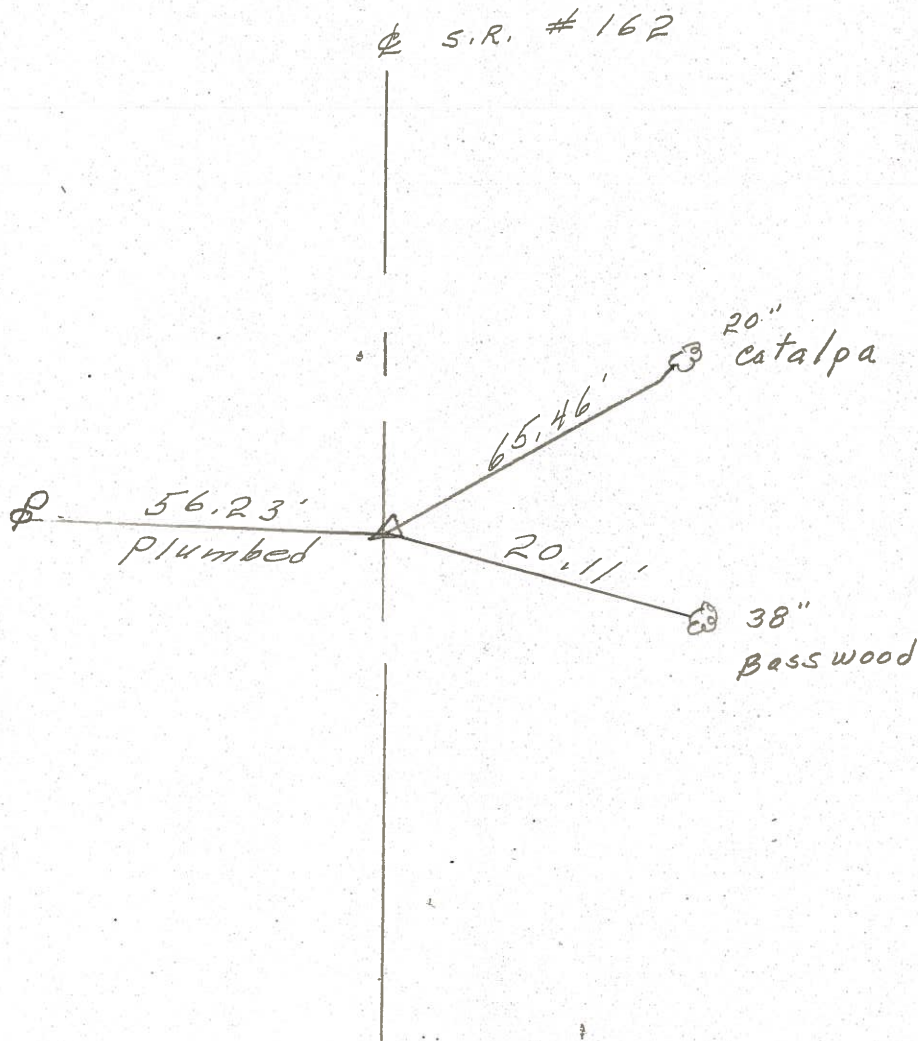
15	14
*	
22	23



5



P.I.  
 187+61.6  
 R. R. SPK.  
 Mine on top  
 Rt. of E  
 $\Delta = 0^{\circ} 10' \text{ Lt.}$



S. H. 447 Sandoz County  
Sec. M.

Reference Points

②-A

160+88.0 Set R.R. Spike on E  
Fd 4-20-04

④

176+22.5 Shiner on E  
Fd 4-14-04

⑤

187+61.6 Set Harrison on E  
Fd 4-13-04

Harv. Miss. Brown, 1904, 1905

