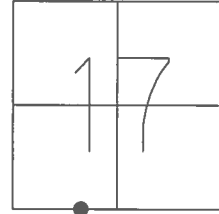


O.D.O.T. DISTRICT 2 SURVEY OFFICE (USE ONLY)

PERSONNEL _____ REFERENCE NO. 18 SHEET 20 OF 32
 NOTES RHOADES DATE 8/1/17 ROUTE SR 162
 H.C. HOMAN WEATHER SUNNY COUNTY SENECA
 R.C. CARSON TEMP. 85° TOWNSHIP REED
 _____ POORE _____ SECTION 17
 _____ T 2 N R 17 E

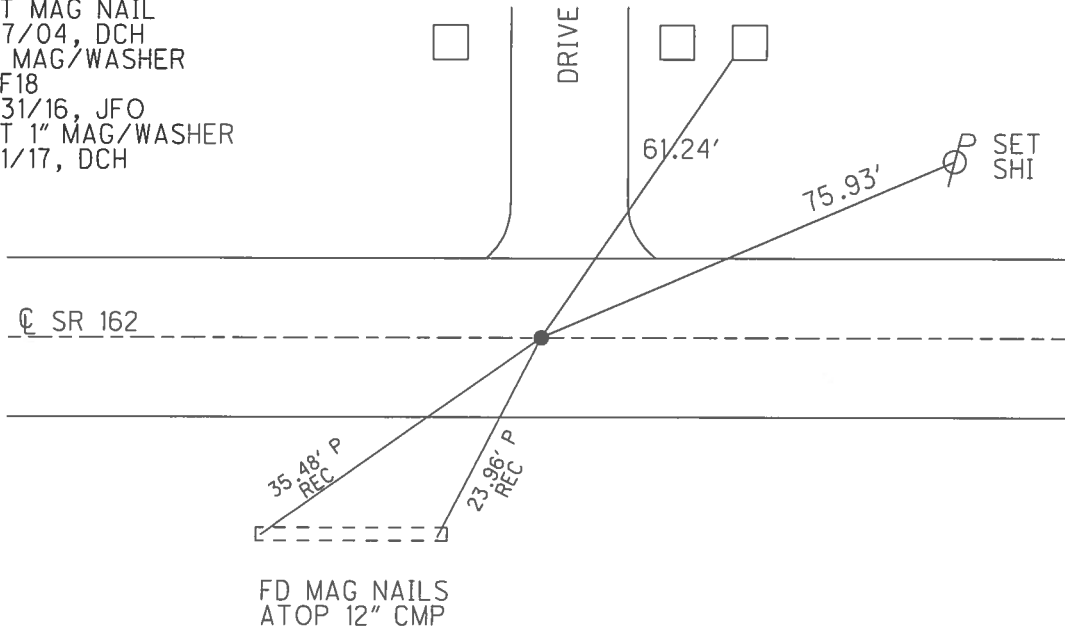
TYPE MONUMENT MAG/WASHER
 ON SURFACE - ~~BELOW~~ ON _____
 LEFT - ☉ PAV'T - ~~RIGHT~~ 1.5'
 - TO - EDGE PAVEMENT
 S.L.M. 243+00



GRID: NORTHING: 531476.842 EASTING: 1850354.557

RECORD: P.I.
 $\Delta = 00^\circ 16' \text{ LT}$
 FD P.K.NAIL
 1" DOWN
 SET MAG NAIL
 9/7/04, DCH
 FD MAG/WASHER
 REF18
 5/31/16, JFO
 SET 1" MAG/WASHER
 8/1/17, DCH

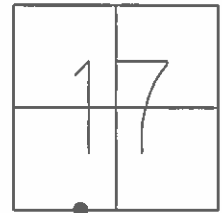
MID 6TH UP OF
 SLATE STONE
 COLUMN OF SIGN
 12505 SR 162
 WOODED ACRES



O.D.O.T. DISTRICT 2 SURVEY OFFICE (USE ONLY)

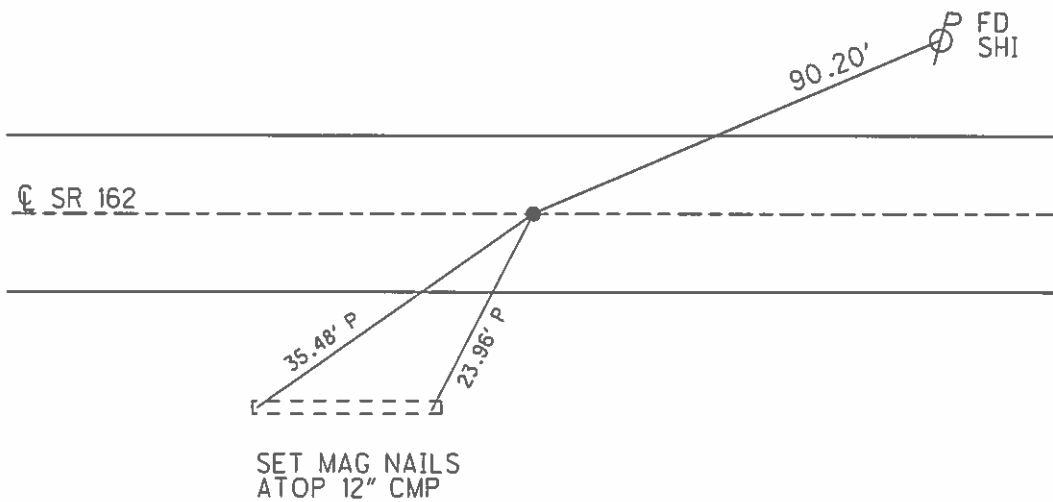
PERSONNEL _____ REFERENCE NO. 18 SHEET 20 OF 32
 NOTES HOMAN DATE 7/13/04 ROUTE SR 162
 H.C. BARNHISEL WEATHER CLOUDY COUNTY SENECA
 R.C. CANTERBURY TEMP. 80° TOWNSHIP REED
 _____ SECTION 17
 _____ T 2 N R 17 E

TYPE MONUMENT _____ P.K./WASHER
 ON SURFACE - BELOW _____ ON _____
 LEFT - \odot PAV'T - ~~RIGHT~~ 1.5'
 _____ TO _____ EDGE PAVEMENT
 S.L.M. 243+00



GRID: NORTHING: _____ EASTING: _____

RECORD: P.I.
 $\Delta = 00^\circ 16' \text{ LT}$
 FD P.K.NAIL
 1" DOWN
 SET MAG NAIL
 9/7/04, DCH



O.D.O.T. DISTRICT 2 SURVEY OFFICE

PERSONNEL

REFERENCE NO. 18

SHEET 18 OF 30

NOTES HOMAN

DATE 7-13-04

ROUTE SR 162

H.C. BARNHISEL

WEATHER CLOUDY

COUNTY SENECA

R.C. CANTERBURY

TEMP. 80°

TOWNSHIP REED

SECTION 17-20

T 2 N R 17 E

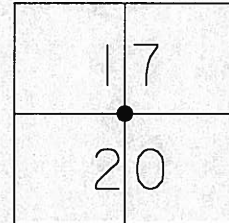
TYPE MONUMENT SEE BELOW

ON SURFACE - BELOW SEE BELOW

LEFT ~~C PAVT~~ RIGHT 1.5' LT

TO EDGE PAVEMENT

S.L.M. 243+00



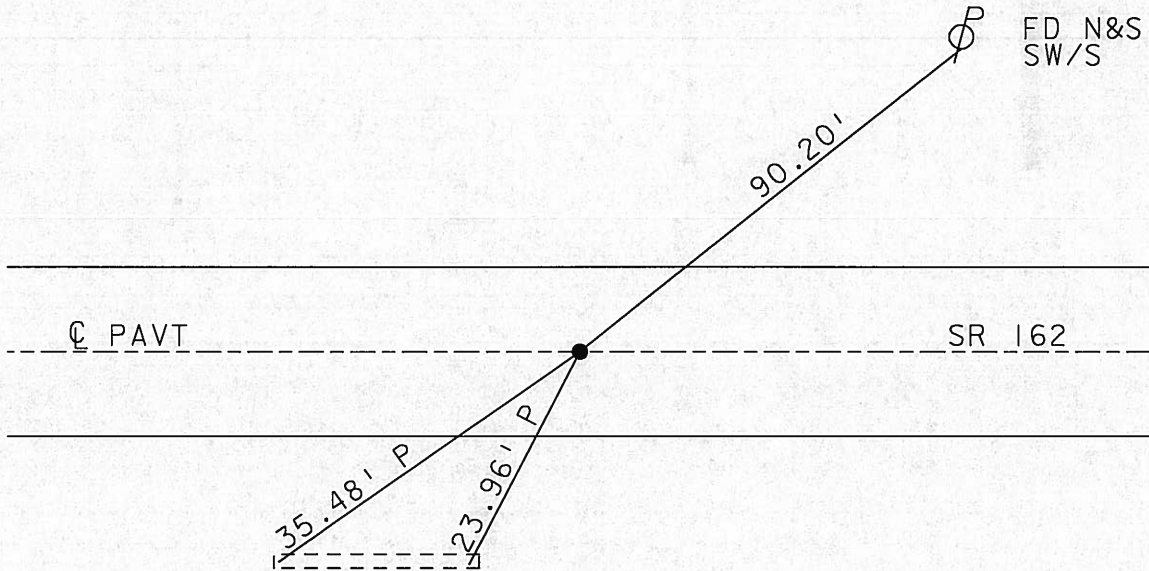
1979

RECORD: PI DELTA= 00°-16' LT

SET MAG NAIL
9-07-04
DCH

2004

FD PK & WASHER ON SURFACE OVER A
PK NAIL 1/2" DOWN



FD N&S
SW/S

SET MAG NAIL
TOP 12" CMP

SET MAG NAIL
TOP 12" CMP

O.D.O.T. DISTRICT 2 SURVEY OFFICE

PERSONNEL

REFERENCE NO. 18

SHEET 18 OF 30

NOTES Ripple Homan

7-13-04

H.C. BARBOUR Barnhart

DATE 10-24-90

ROUTE 162

R.C. Geyman

WEATHER cloudy Windy

COUNTY Sen

Castelbury

TEMP. 46 80

TOWNSHIP Reed

SECTION 17-20

T 2 N R 17 E

TYPE MONUMENT PK. & WASHER ✓

ON SURFACE - BELOW PK. OVER CAR STONE

LEFT - € PAV'T. - RIGHT 2' LT. & 1.5' LT

TO EDGE PAVEMENT

S.L.M. 243 & 00 400 & 07.9

| | |
|----|----|
| 18 | 17 |
| 19 | 20 |



$\Delta = 0^{\circ} 16' \text{ LT.}$

Fd PK & Washer on Surface

Fd PK Nail 1 1/2" Down

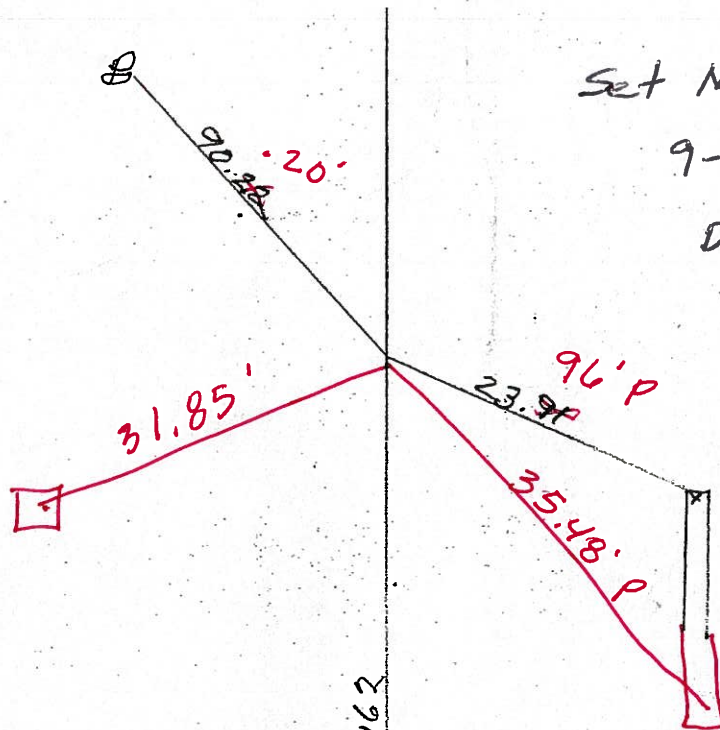
Fd Shi

Set Mag Nail

9-07-04

DC H

Set Tacked Hub



x CUT IN 12" C.M.P.

Set Mag Nail Typ

O.D.O.T. DISTRICT 2 SURVEY OFFICE

PERSONNEL

REFERENCE NO. 18

SHEET 18 OF 30

NOTES Ripple

H.C. BARBOUR

DATE 10-24-90

ROUTE 162

R.C. GEYMAN

WEATHER Cloudy Windy

COUNTY Sen

TEMP. 46

TOWNSHIP Reed

SECTION 17-20

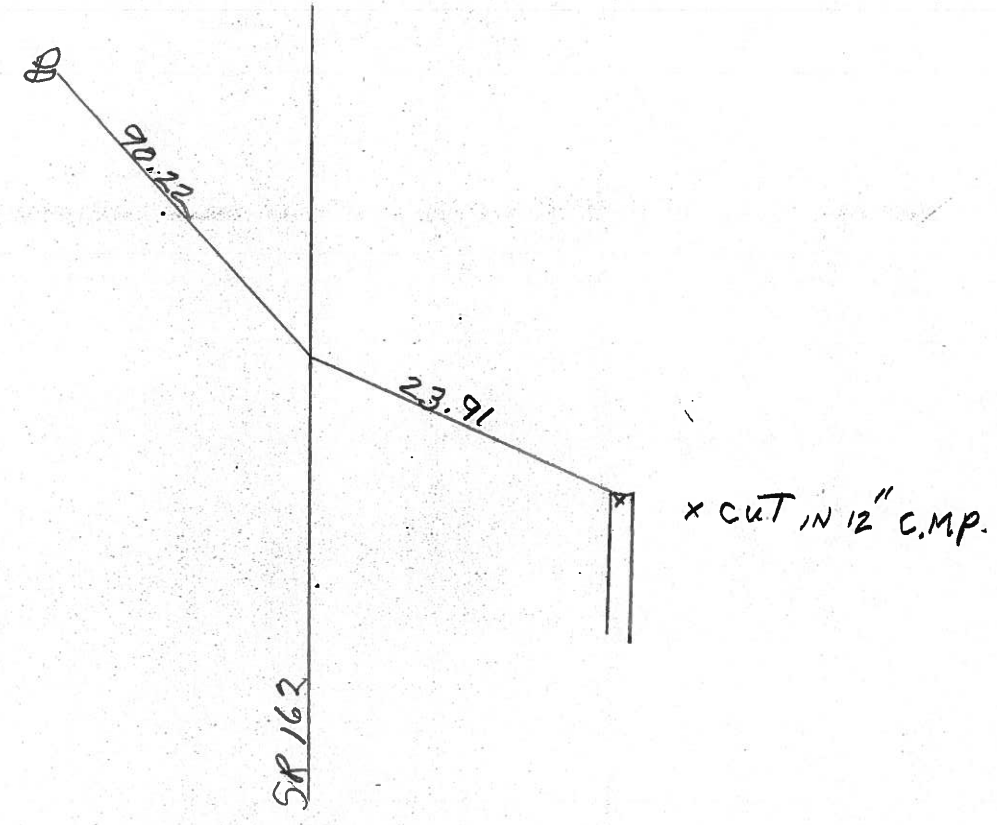
T 2 N R 17 E

TYPE MONUMENT RK. & WASHER
 ON SURFACE - BELOW RK OVER COR. STONE
 LEFT - & PAV'T. - RIGHT 2' LT. &
 TO EDGE PAVEMENT
 S.L.M. 243 & 00

| | |
|----|----|
| 18 | 17 |
| 19 | 20 |



$\Delta = 0^{\circ} 16' \text{ LT.}$



County Seneca S.R. 162

Date 6-12-79

Township Reed

Weather Fair

Section 17 & 20

Temp. 72°

T N, R E

Personnel Schneider

Mosser

Barbour

| | |
|----|----|
| 18 | 17 |
| 19 | 20 |

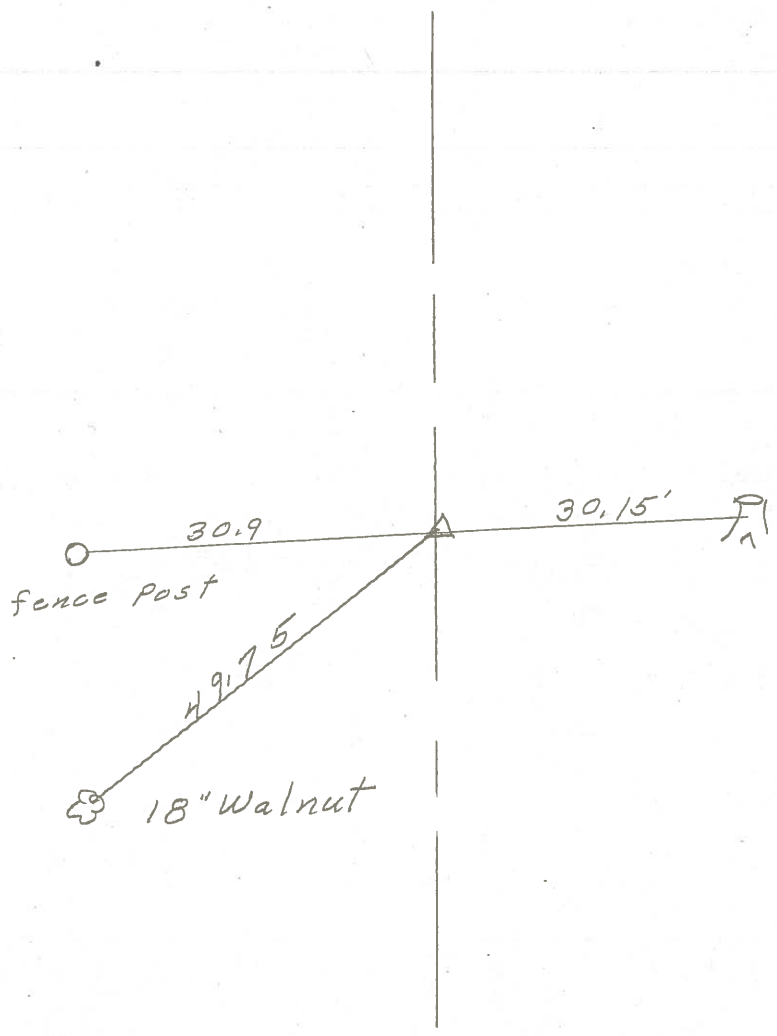


18



± S.R. # 162

400 + 07.9
 cor. stone on ±
 $\Delta = 0^\circ 16' Lt.$
 Ties gone



S. H. 447 Sec. M.

(14)

347 + 18.7

Iron Pipe on ϕ

(15)

353 + 34.5

Harrow Tooth on ϕ

Fd 4-21-04

Fd S. R. R Spike

4-21-04

(16)

373 + 60.45

Cor. Stone on ϕ

(15)

Fd Iron \uparrow Pin

4-21-04

(17)

393 + 00

Cor Stone on ϕ

(18)

400 + 07.9

Cor. Stone on ϕ

Fd 4-22-04

Fd 4-22-04

(19)

426 + 43.3

Cor. Stone on ϕ

Fd 4-22-04

