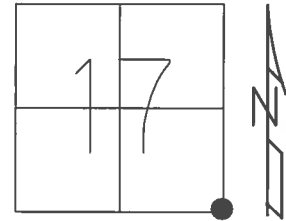


O.D.O.T. DISTRICT 2 SURVEY OFFICE (USE ONLY)

PERSONNEL _____ REFERENCE NO. 19 SHEET 21 OF 32

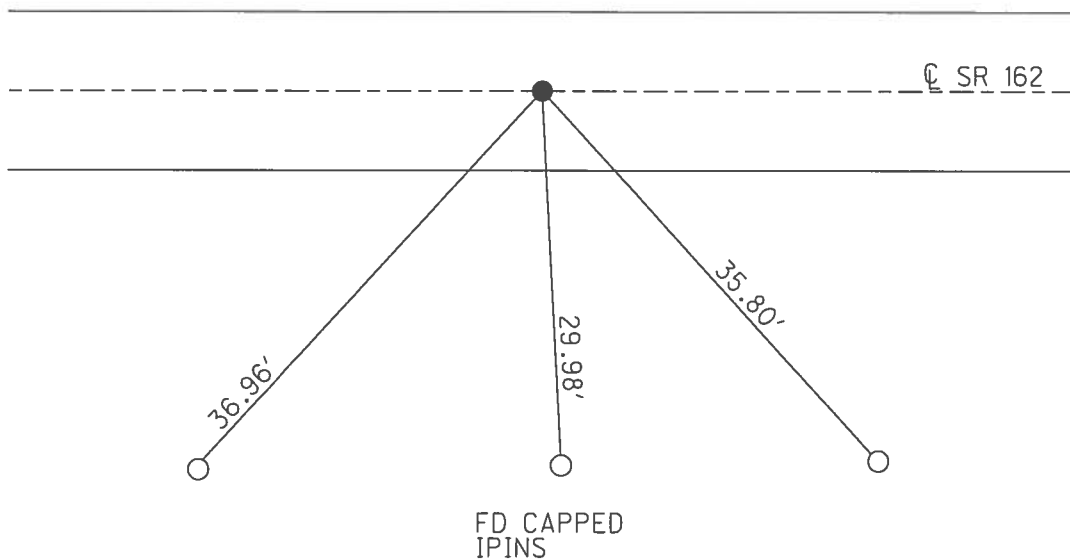
NOTES POORE _____ DATE 8/2/17 ROUTE SR 162
 H.C. HOMAN _____ WEATHER SUNNY COUNTY SENECA
 R.C. CARSON _____ TEMP. 75° TOWNSHIP REED
 RHOADES _____ SECTION 17
 T 2 N R 17 E

TYPE MONUMENT MAG/WASHER
 ON SURFACE - ~~BELOW~~ ON
~~LEFT~~ - CL PAV'T - RIGHT 1.5'
TO EDGE PAVEMENT
 S.L.M. 269+43



GRID: NORTHING: 531437.605 EASTING: 1852991.585

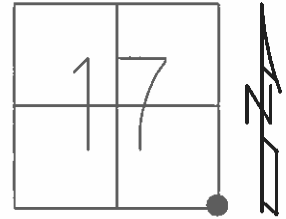
RECORD: P.I.
 $\Delta = 00^\circ 27' LT$
 FD P.K./WASHER
 1" DOWN
 FD SM.R.R.SPIKE
 3" DOWN
 SET MAG/WASHER
 9/3/4, DCH
 FD MAG/WASHER
 REF19
 5/31/16, JFO
 SET 1" MAG/WASHER
 8/2/17, DCH



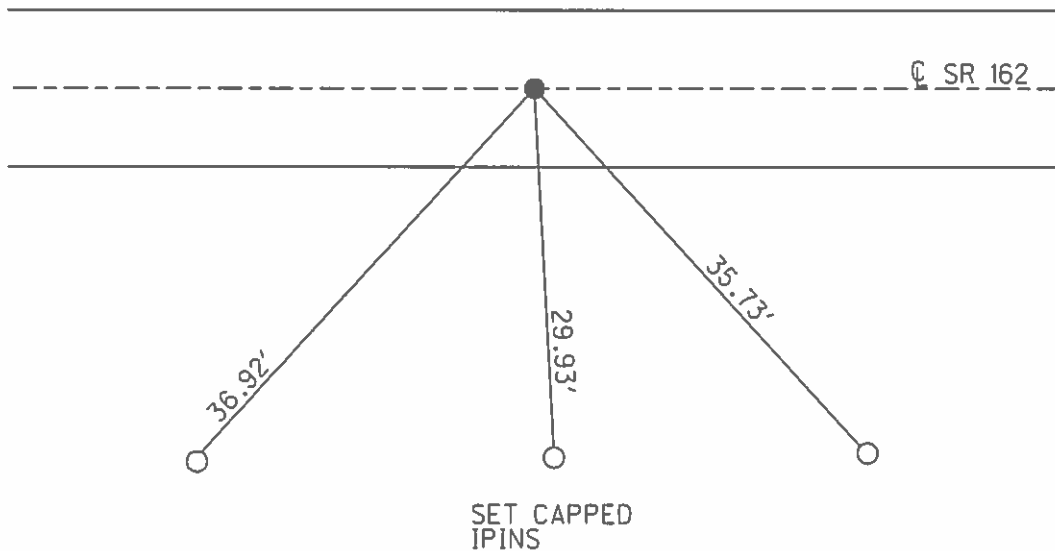
O.D.O.T. DISTRICT 2 SURVEY OFFICE (USE ONLY)

PERSONNEL _____ REFERENCE NO. 19 SHEET 21 OF 32
 NOTES HOMAN DATE 7/13/04 ROUTE SR 162
 H.C. BARNHISEL WEATHER CLOUDY COUNTY SENECA
 R.C. CANTERBURY TEMP. 80° TOWNSHIP REED
 _____ SECTION 17
 _____ T 2 N R 17 E

TYPE MONUMENT P.K./WASHER
~~ON SURFACE~~ - BELOW ON
~~LEFT~~ - CL PAV'T - RIGHT 1.5'
- TO - EDGE PAVEMENT
 S.L.M. 269+43
 GRID: NORTHING: _____ EASTING: _____



RECORD: P.I.
 $\Delta = 00^\circ 27' \text{ LT}$
 FD P.K./WASHER
 1" DOWN
 FD SM.R.R.SPIKE
 3" DOWN
 SET MAG/WASHER
 9/3/4, DCH



O.D.O.T. DISTRICT 2 SURVEY OFFICE

PERSONNEL

REFERENCE NO. 19

SHEET 19 OF 30

NOTES HOMAN

DATE 7-13-04

ROUTE SR 162

H.C. BARNHISEL

WEATHER CLOUDY

COUNTY SENECA

R.C. CANTERBURY

TEMP. 80°

TOWNSHIP REED

SECTION 16-17-20-21

T 2 N R 17 E

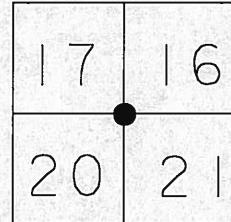
TYPE MONUMENT SEE BELOW

ON SURFACE - BELOW SEE BELOW

~~LEFT - C PAVT~~ - RIGHT 1.5' RT

TO EDGE PAVEMENT

S.L.M. 269+43

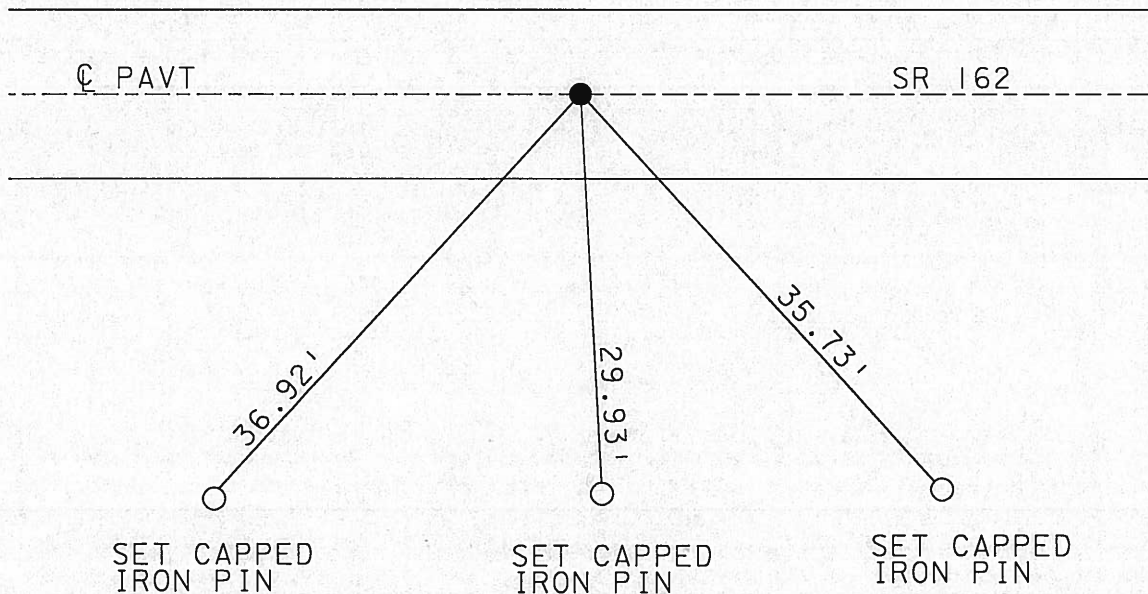


1979 RECORD: PI DELTA= 00°-27' LT

2004 FD PK & WASHER ON SURFACE OVER A
PK & WASHER 1 1/2" DOWN OVER A
SM RR SPIKE 3 1/2" DOWN

SET MAG NAIL
& WASHER
9-03-04
DCH

1947 plan: 426+43.3



O.D.O.T. DISTRICT 2 SURVEY OFFICE

PERSONNEL

REFERENCE NO. 19

SHEET 19 OF 30

NOTES ~~Ripple~~ Homan

7-13-04

H.C. ~~Barbour~~ Barnhisel

DATE ~~10-24-90~~

ROUTE 162

R.C. Geyman

WEATHER ~~cloudy~~ Windy

COUNTY Sen

Canterbury

TEMP. ~~46~~ 80°

TOWNSHIP Reed

SECTION 16-17-20-21

T R

TYPE MONUMENT PK. & Washer

ON SURFACE - BELOW PK. atop Minn Spike atop R.R. Spt

LEFT- & PAW'T. - RIGHT 1 AT 2 1.5' R 11

TO EDGE PAVEMENT

S.L.M. 269 + 43 426 + 43.3 1947 Plan

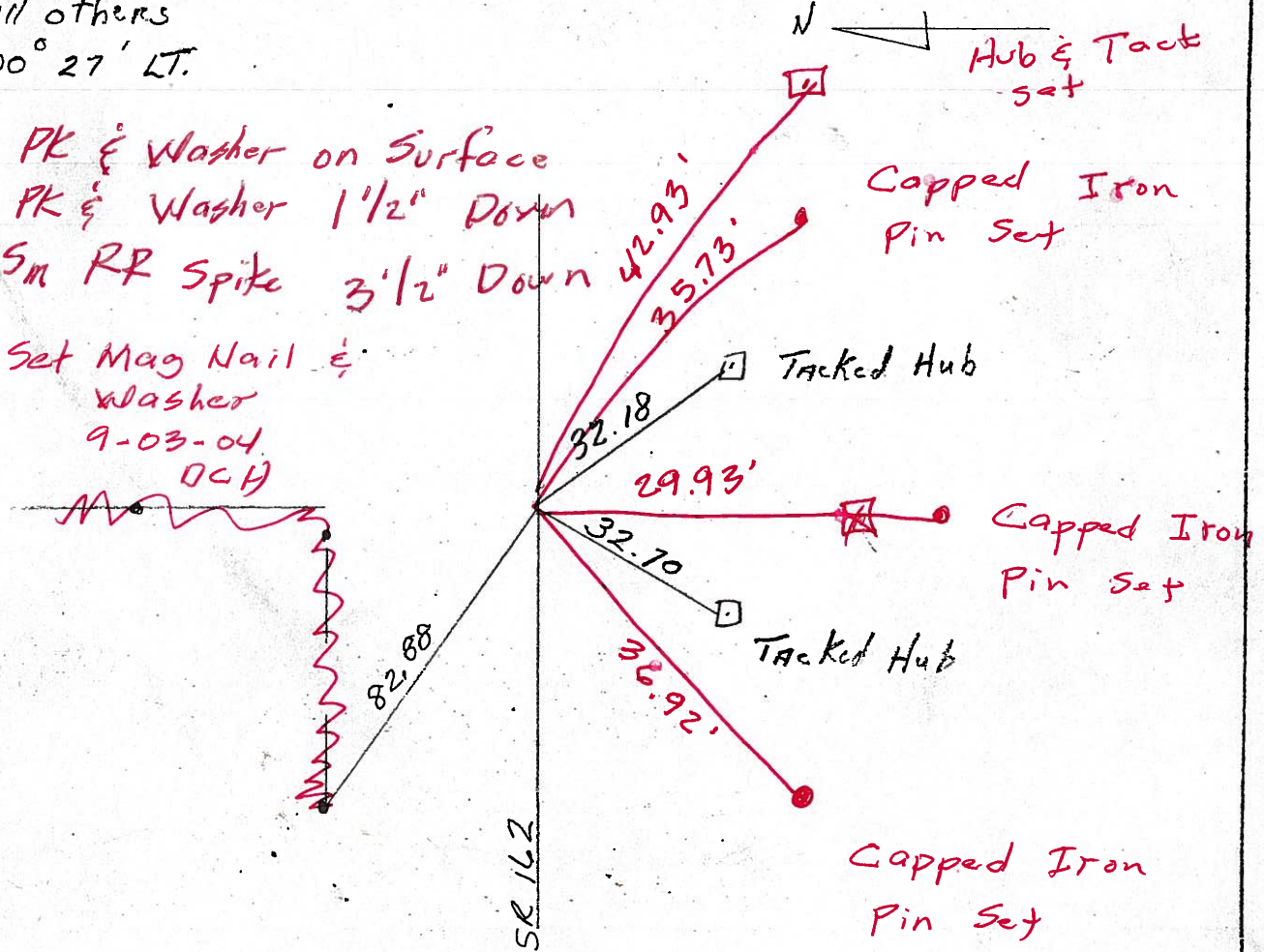
17	15
20	21



CORNER Stone should be below all others
 $\Delta = 00^\circ 27' \text{ LT.}$

- Fd PK & Washer on Surface
- Fd PK & Washer 1 1/2" Down
- Fd Sm RR Spike 3 1/2" Down

Set Mag Nail & Washer
 9-03-04
 DCH



O.D.O.T. DISTRICT 2 SURVEY OFFICE

PERSONNEL _____

REFERENCE NO. 19

SHEET 19 OF 30

NOTES Ripple

H.C. BARBOUR

DATE 10-24-90

ROUTE 162

R.C. Geyman

WEATHER cloudy Windy

COUNTY Sen'

TEMP. 46

TOWNSHIP Reed

SECTION 16-17-20-21

T _____ R _____

TYPE MONUMENT PK. & Washer

ON SURFACE - BELOW PK. ATOP MINN SPT. ATOP R.R. SPT.

LEFT - € PAV'T. - RIGHT 1' RT. &

TO _____ EDGE PAVEMENT

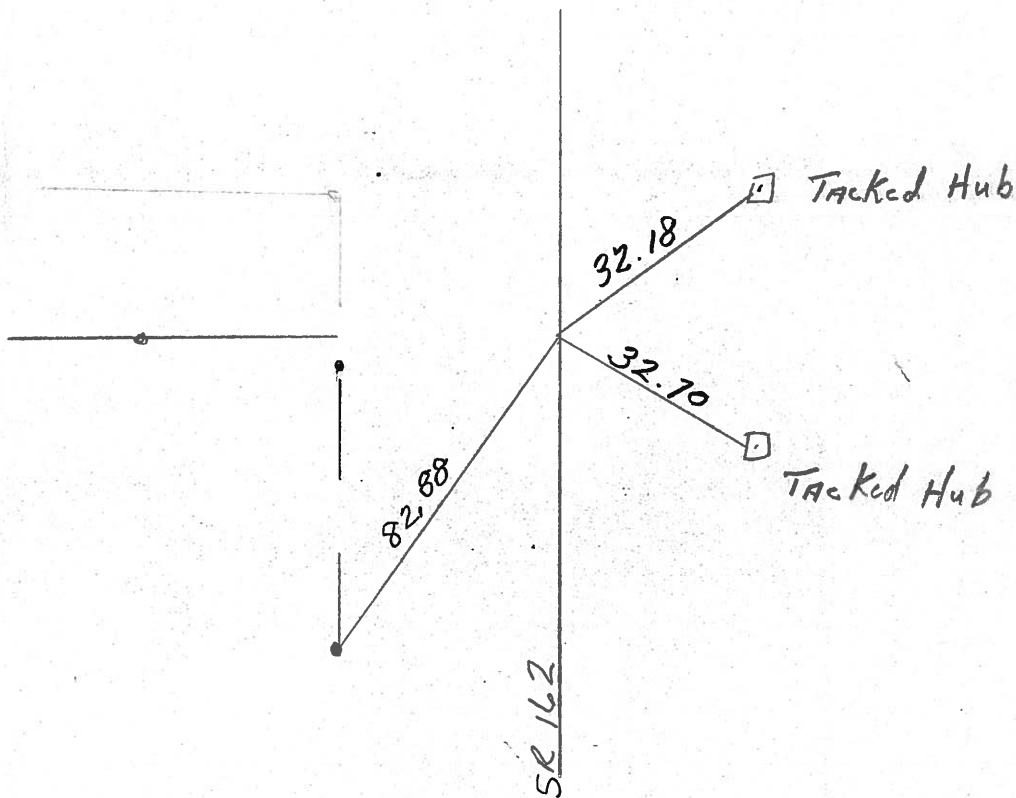
S.L.M. 269 + 43

17	18
20	21



CORNER STON should be below all others

$$\Delta = 00^{\circ} 27' \text{ LT.}$$



County Seneca S.R. 162

Date 12/20/83

Township Reed

Weather sunny

Section 16, 17, 20, 21

Temp. 17°

T2N, R1E

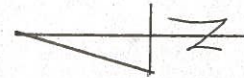
Personnel Cronin

Ripple

Geyman

#19

17	16
20	21

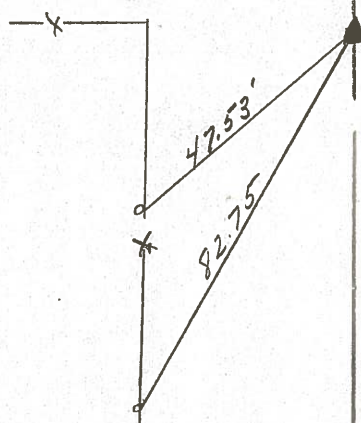


$\Delta = 00^\circ 27' \text{ Lt.}$

426 + 43.30

set P.K. & washer atop mine
spike & atop RR spike 1'
Lt. of E. Point.

Corner Stone should be below



S.S.R. #162

County Seneca S.R. 162

Date 6-12-79

Township Reed

Weather Fair

Section 17, 16 & 20, 21

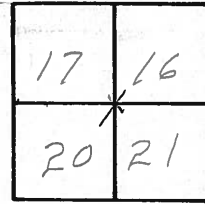
Temp. 72

T2N, R12E

Personnel Schneider

Mosser

Barbour



(19)



⊥ S.R. # 162

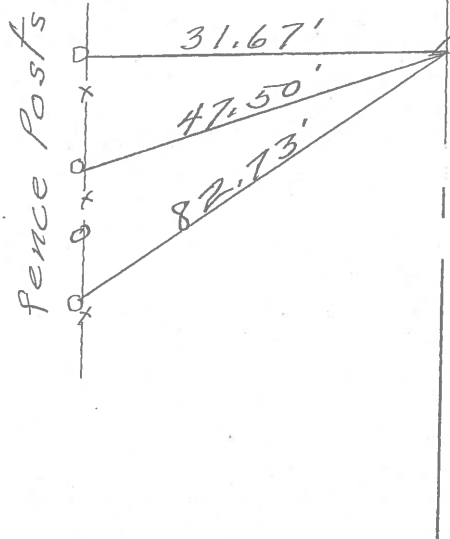
426 + 43.3

R.R. spk. on ⊥

$\Delta = 0^{\circ} 27' Lt.$

Small spk. on surface

1' Rt. of ⊥



S. H. 447 Sec. M.

(14)

347 + 18.7

Iron Pipe on ϕ

(13)

Fd

4-21-04

(15)

353 + 34.5

Harrow Tooth on ϕ

Fd G. R. R Spike

4-21-04

(16)

373 + 60.95

Cor. Stone on ϕ

Fd Iron P. in

4-21-04

(17)

393 + 00

Cor Stone on ϕ

(17)

Fd 4-22-04

400 + 07.9

Cor. Stone on ϕ

Fd 4-22-04

(19)

426 + 43.3

Cor. Stone on ϕ

Fd 4-22-04

