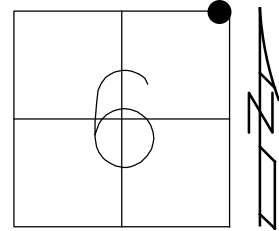


O.D.O.T. DISTRICT 2 SURVEY OFFICE (USE ONLY)

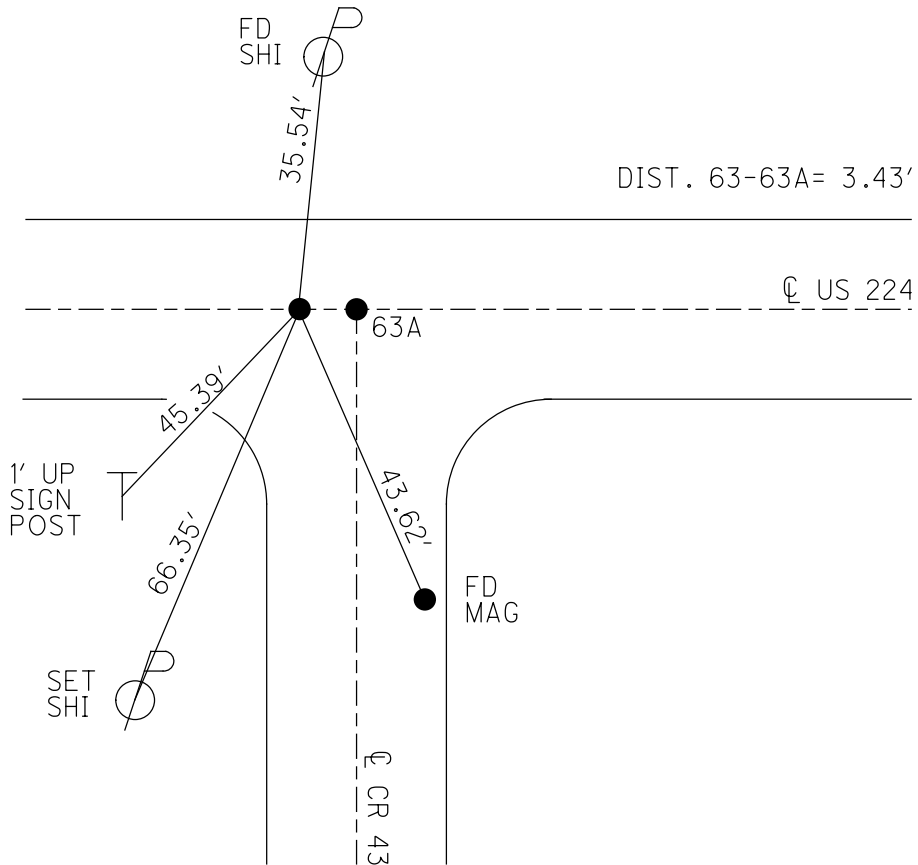
PERSONNEL \_\_\_\_\_ REFERENCE NO. 63 SHEET 2 OF 37  
 NOTES RHOADES DATE 11/7/23 ROUTE US 224  
 H.C. AUBLE WEATHER CLOUDY COUNTY SENECA  
 R.C. ASTON TEMP. 54° TOWNSHIP BLOOM  
           NIESE SECTION 6  
 DWG BY RHOADES PID 101217 T 1 N R 16 E

TYPE MONUMENT MAG/WASHER  
 ON SURFACE - ~~BELOW~~ ON  
 OFFSET  $\varnothing$  PAVEMENT ON LT : RT  
10.1' TO LT EDGE PAVEMENT  
 STATION: 1049+91.34

HORIZ.DATUM: NAD83 2011 GEOID: NAVD88 2018  
 GRID: NORTHING: 515722.348 EASTING: 1815578.604



RECORD:  
 FD IPIN  
 8" DOWN  
 5/19/82  
 SET P.K./WASHER  
 10/28/82  
 FD P.K./WASHER  
 6/30/92, JLR  
 SET P.K./WASHER  
 11/30/92, JLR  
 FD P.K./WASHER  
 1/12/08, KPM  
 SET MAG/WASHER  
 8/4/09, MB  
 10/14/09, KPM  
 FD MAG/WASHER  
 1/16/13, DCH  
 FD MAG/WASHER  
 REF63  
 8/24/20, DSA  
 SET MAG/WASHER  
 7/27/21, DSA  
 SET MAG/WASHER  
 11/7/23, DSA



O.D.O.T. DISTRICT 2 SURVEY OFFICE (USE ONLY)

PERSONNEL

REFERENCE NO. 63

SHEET 2 OF 33

NOTES RHOADES

DATE 8/24/20

ROUTE US 224

H.C. AUBLE

WEATHER SUNNY

COUNTY SENECA

R.C. RHOADES

TEMP. 74°

TOWNSHIP BLOOM

SECTION 6

DWG BY RHOADES PID PAVE TRAIN

T 1 N R 16 E

TYPE MONUMENT MAG/WASHER

ON SURFACE - ~~BELOW~~ ON

OFFSET ☉ PAVEMENT ON LT : RT

10.1' TO LT EDGE PAVEMENT

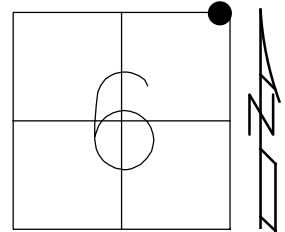
STATION: 1049+91.34

HORZ.DATUM: NAD83 2011

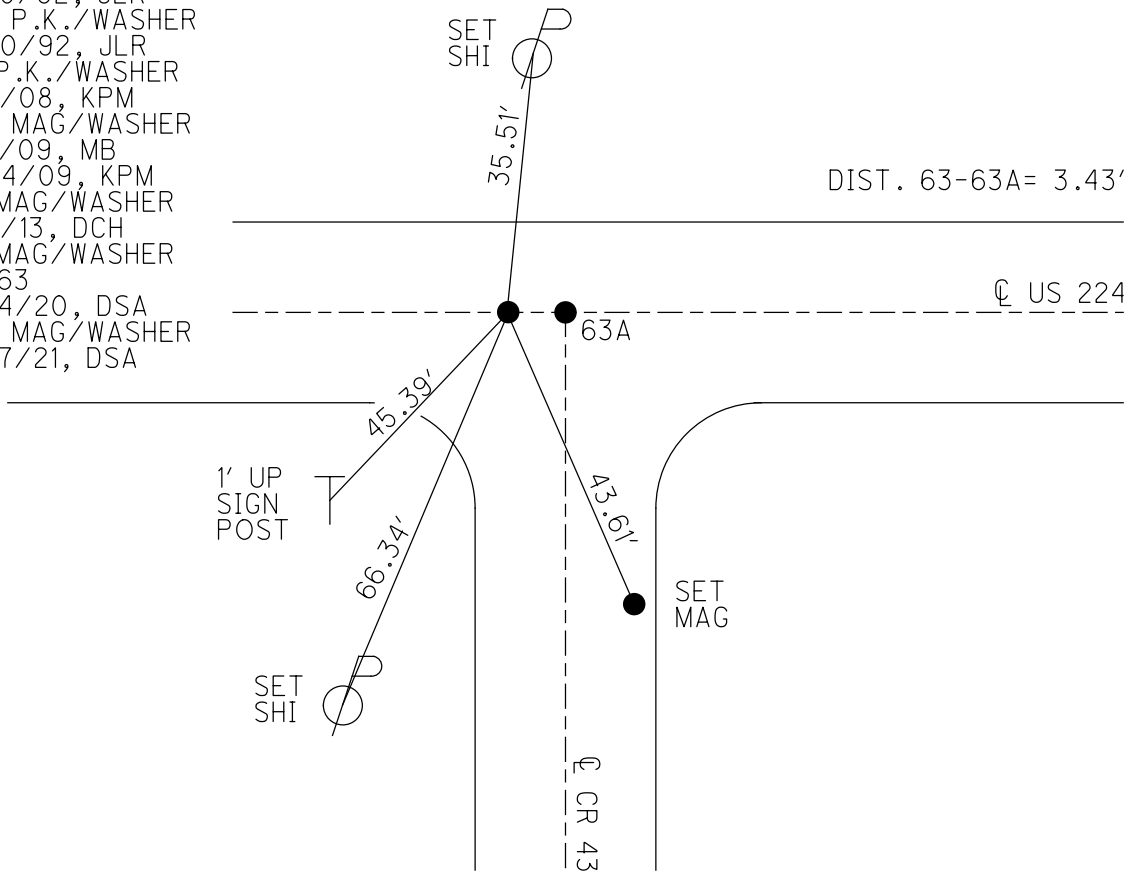
GEOID: NAVD88 2012A

GRID: NORTHING: 515722.317

EASTING: 1815578.541



- RECORD:  
 FD IPIN  
 8" DOWN  
 5/19/82  
 SET P.K./WASHER  
 10/28/82  
 FD P.K./WASHER  
 6/30/92, JLR  
 SET P.K./WASHER  
 11/30/92, JLR  
 FD P.K./WASHER  
 1/12/08, KPM  
 SET MAG/WASHER  
 8/4/09, MB  
 10/14/09, KPM  
 FD MAG/WASHER  
 1/16/13, DCH  
 FD MAG/WASHER  
 REF63  
 8/24/20, DSA  
 SET MAG/WASHER  
 7/27/21, DSA



O.D.O.T. DISTRICT 2 SURVEY OFFICE

PERSONNEL

REFERENCE NO. 63

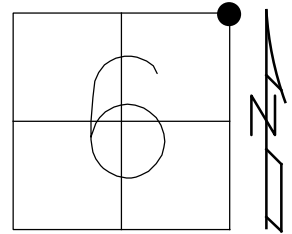
SHEET 2 OF 35

NOTES MOSER  
 H.C. MOSER  
 R.C. PIETKOWSKI  
GOLDBERG

DATE 8-4-09  
 WEATHER FAIR  
 TEMP. +40°

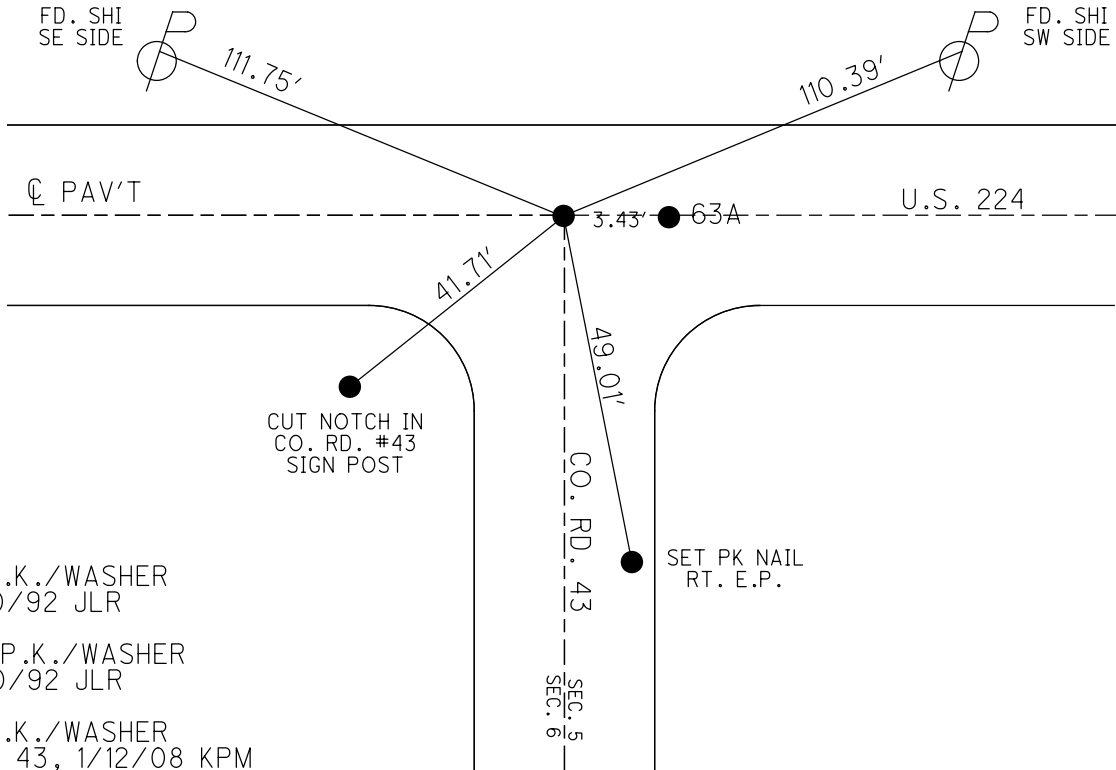
ROUTE US 224  
 COUNTY SENECA  
 TOWNSHIP BLOOM  
 SECTION 6  
 T 1 N R 16 E

TYPE MONUMENT MAG./WASHER  
 ON SURFACE - ~~BELOW~~ ON  
 LEFT - Q PAV'T - RIGHT ON  
10.1' TO LT EDGE PAVEMENT  
 S.L.M. 1049+91.34



GRID: NORTHING: 515722.317 EASTING: 1815578.541

RECORD: 10-28-82  
 SET PK&WASHER ATOP  
 IRON PIN OR RR SPK  
 FOUND 8" DOWN 5-19-82  
 FIELD BOOK 54(FROM LOFT)  
 STATES IRON PIN.



FD P.K./WASHER  
 6/30/92 JLR

SET P.K./WASHER  
 11/30/92 JLR

FD P.K./WASHER  
 Q CR 43, 1/12/08 KPM

SET MAG/WASHER  
 8/4/09 MB

RESET MAG/WASHER  
 10/14/09 KPM

SET PK NAIL  
 RT. E.P.

FD MAG/WASHER  
 1/15/13, SDC  
 GPS, REF 63  
 1/16/13, DCH

O.D.O.T. DISTRICT 2 SURVEY OFFICE

PERSONNEL

REFERENCE NO. 63

SHEET 2 OF 35

NOTES Moser

DATE 8-4-09

ROUTE US 224

H.C. Moser

WEATHER Fair

COUNTY SENECA

R.C. Pietkowski

TEMP. +40°

TOWNSHIP BLOOM

Goldberg

SECTION 6

T 1 N R 16 E

TYPE MONUMENT MAG./WASHER

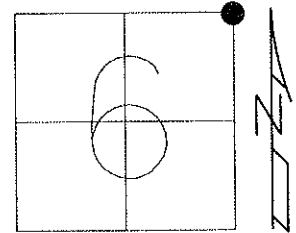
ON SURFACE - ~~BELOW~~ ON

LEFT - Q PAV'T - RIGHT ON

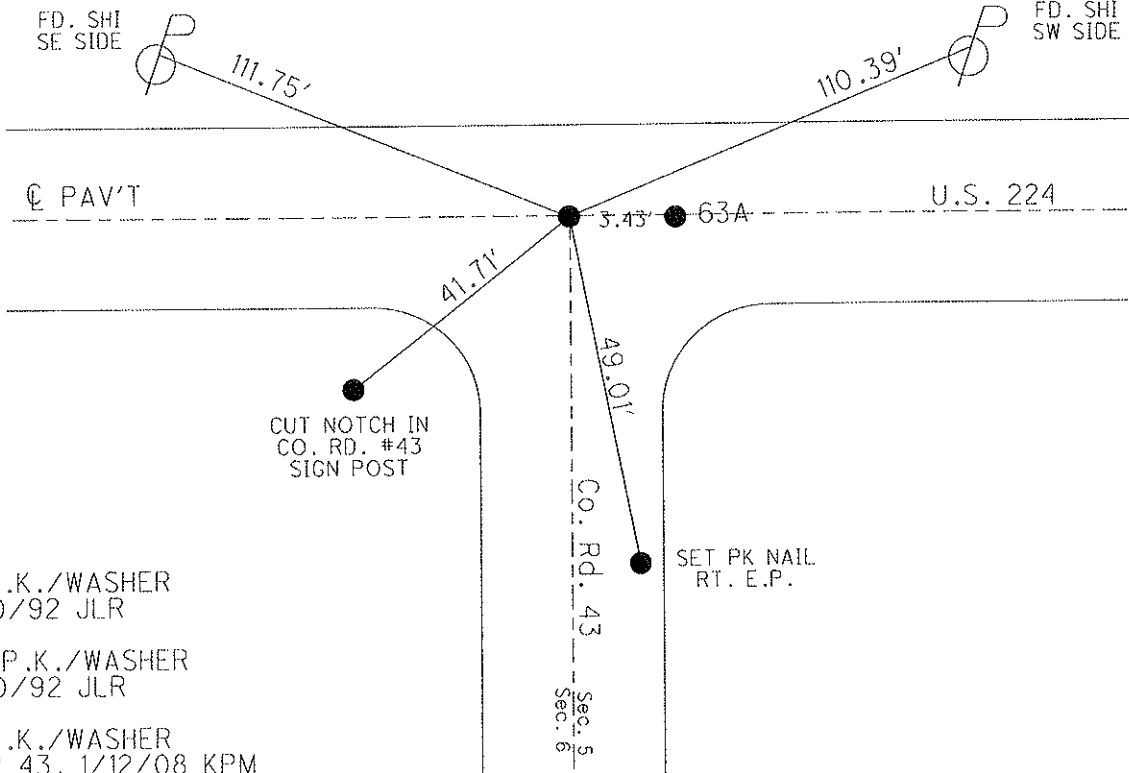
10.1' TO LT EDGE PAVEMENT

S.L.M. 1049 + 68.11

Grid: Northing: 515722.020 Easting: 1815582.003



RECORD: 10-28-82  
 SET PK&WASHER ATOP  
 IRON PIN OR RR SPK  
 FOUND 8" DOWN 5-19-82  
 FIELD BOOK 54(FROM LOFT)  
 STATES IRON PIN.



FD P.K./WASHER  
 6/30/92 JLR

SET P.K./WASHER  
 11/30/92 JLR

FD P.K./WASHER  
 Q CR 43, 1/12/08 KPM

SET MAG/WASHER  
 8/4/09 MB

RESET MAG/WASHER  
 10/14/09 KPM

# O.D.O.T. DISTRICT 2 SURVEY OFFICE

PERSONNEL

REFERENCE NO. 63

SHEET 2 OF 32

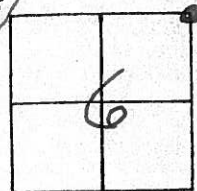
NOTES Cheney  
 H.C. RIPPLE  
 R.C. BARBOUR  
Geyman

DATE 16-30-92  
 WEATHER Cloudy  
 TEMP. 55°

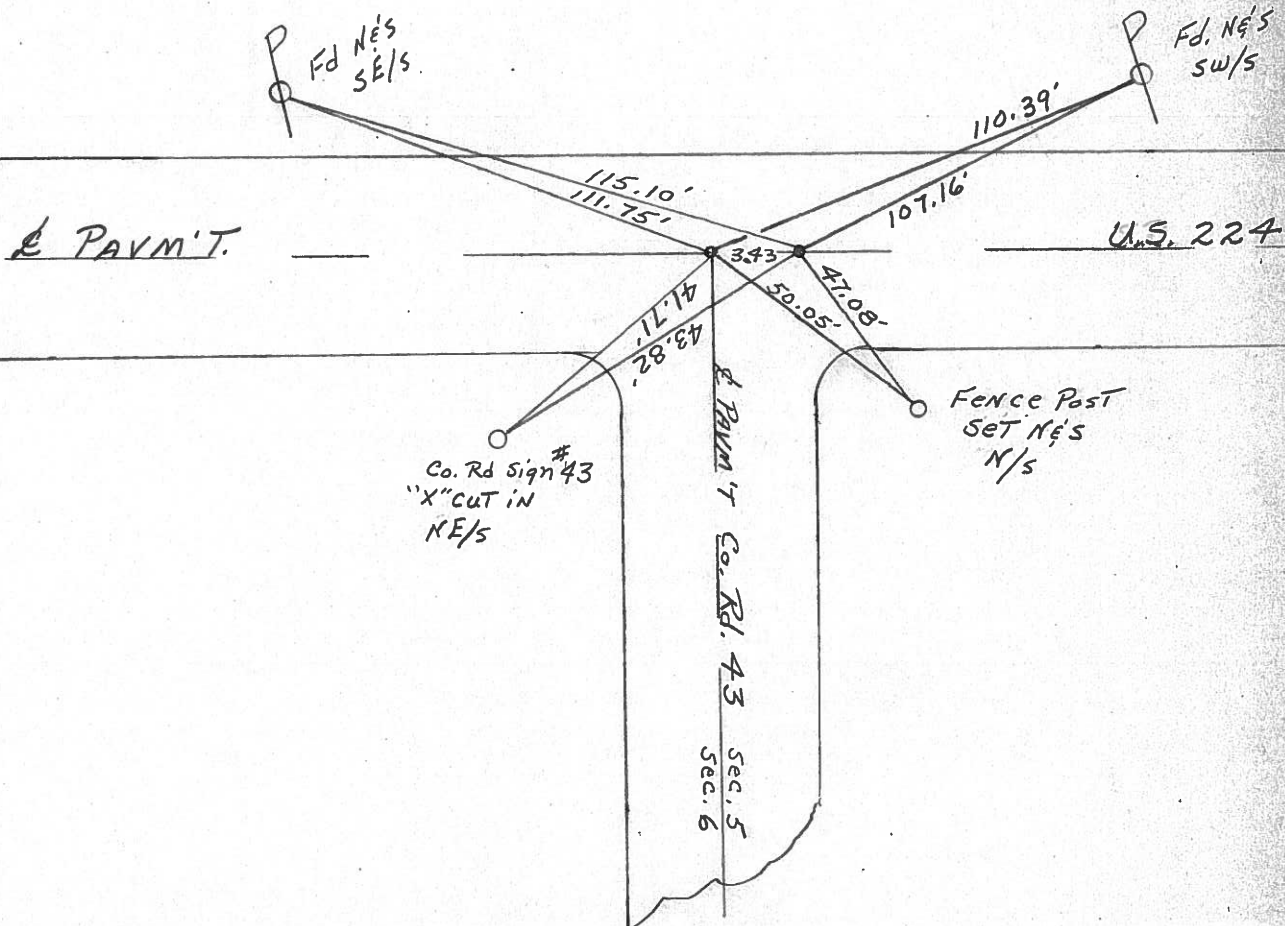
ROUTE U.S. 224  
 COUNTY SENECA  
 TOWNSHIP Bloom  
 SECTION 6  
T 1 N R 16 E

TYPE MONUMENT <sup>6-30-92</sup> Fd. P.K. & washer's  
 ON SURFACE - ~~BELOW~~ yes  
 LEFT - & PAV'T. - RIGHT yes  
10' TO RT. EDGE PAVEMENT  
 S.L.M. 1049+15

SET PK & washer's  
 11-30-92  
 J.L.R.



Record: 10-28-82  
 Set P.K. & washer atop  
 IRON PIN OR RR SPK.  
 Found 8" down 5/19/82  
 Field Book "54 (from left)  
 STATES IRON PIN



Q.D.O.T. DISTRICT 2 SURVEY OFFICE

SHEET 17 OF

County Seneca S.R. # 224

Township Bloom

Section #6 (Appears to be)

T 1 N, R 16 E

Personnel Cronin

Ripple

Geyman

Mosser

Barbour

63

Date 10/28/82

Weather SUNNY

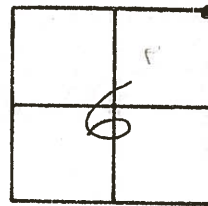
Temp. 55°

HOFFMAN &  
CREW

4-27-83

CLEAR

+65°



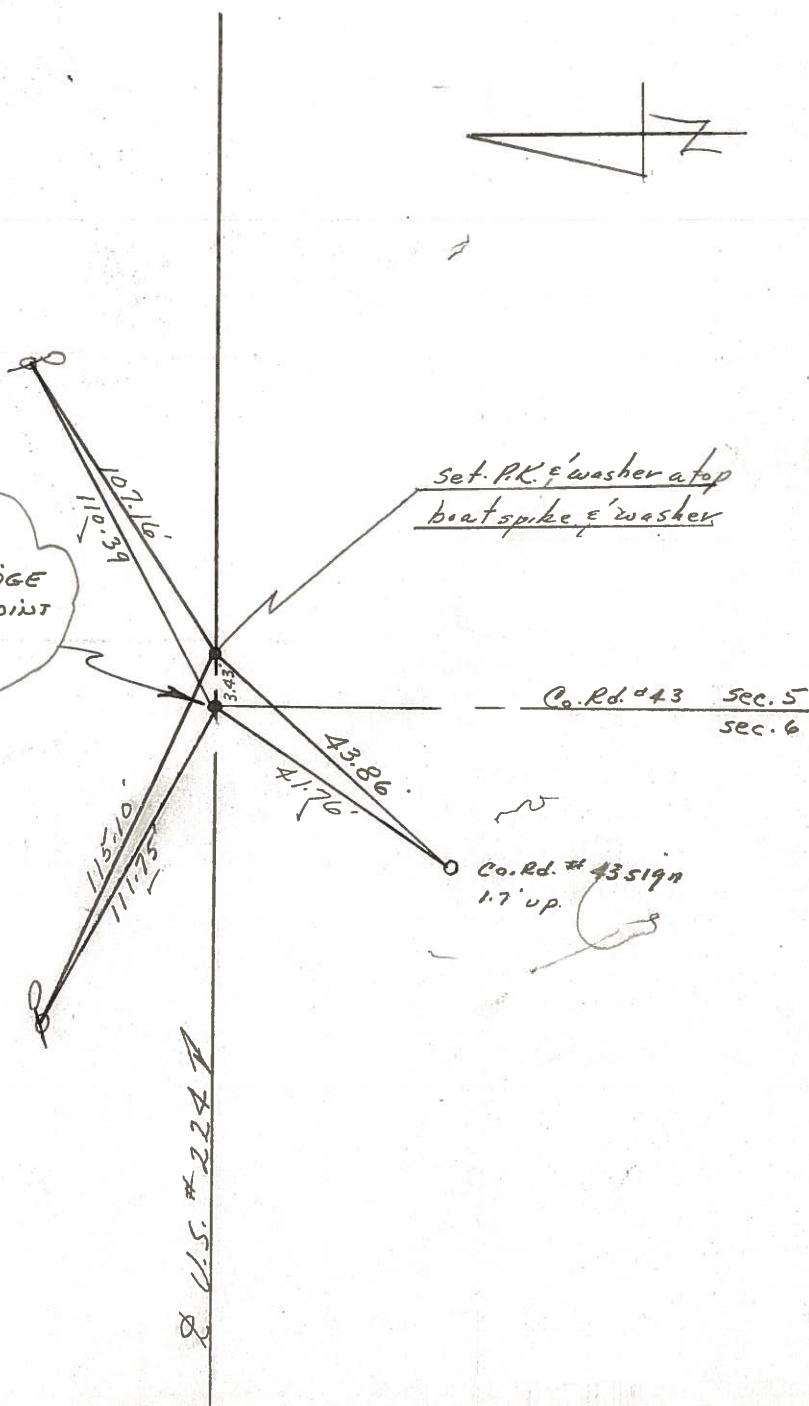
NOTE:  
S.L.M. FROM BRIDGE  
MAKES THIS POINT  
1101 + 33.56

set P.K. & washer  
at top End or R.R. spike  
found 8" down (5/19/82)  
Field Book #54 (from loft)  
states Iron pin

set P.K. & washer at top  
boat spike & washer

Co. Rd. #43 Sec. 5  
Sec. 6

Co. Rd. #43 sign  
1.7' up



PERSONNEL TITLE PERSONNEL TITLE

Harill  
Jowaleski  
Brooks

COUNTY Seneca DATE

S. R. 224 WEATHER

SEC. TEMP.

DESCRIPTION LEFT CENTER LINE RIGHT JOB NO.

