

O.D.O.T. DISTRICT 2 SURVEY OFFICE (USE ONLY)

PERSONNEL

REFERENCE NO. 87 B

SHEET 35 OF 37

NOTES RHOADES

DATE 11/9/23

ROUTE US 224

H.C. AUBLE

WEATHER CLOUDY

COUNTY SENECA

R.C. ASTON

TEMP. 48°

TOWNSHIP VENICE

NIESE

SECTION 4

DWG BY RHOADES PID 101217

T 1 N R 17 E

TYPE MONUMENT MAG/WASHER

ON SURFACE - ~~BELOW~~ ON

OFFSET 0 PAVEMENT 1' LT : ~~RT~~

9.5' TO LT EDGE PAVEMENT

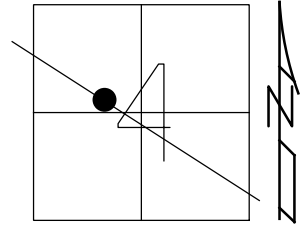
STATION: 1442+15.81

HORIZ.DATUM: NAD83 2011

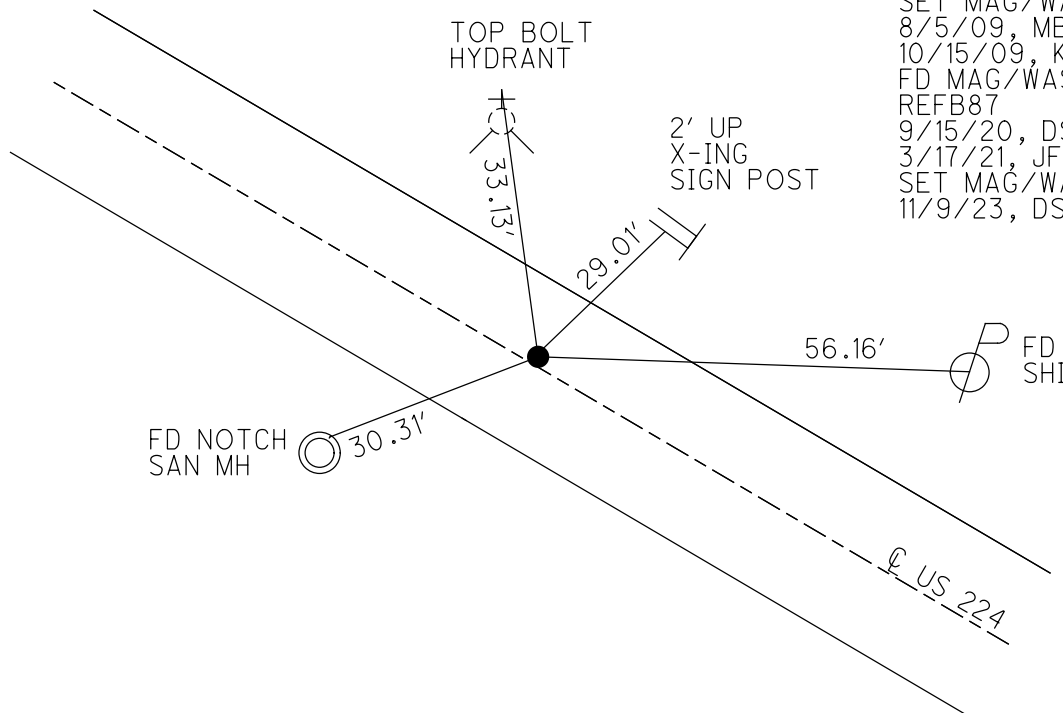
GEOID: NAVD88 2018

GRID: NORTHING: 513437.795

EASTING: 1854294.413



RECORD: P.O.T.
 STA.172+ ±
 FD P.K.NAIL
 SET P.K./WASHER
 11/2/82
 FD P.K./WASHER
 7/1/92
 SET P.K./WASHER
 12/7/92, JLR
 FD P.K./WASHER
 5/6/08
 SET MAG/WASHER
 8/5/09, MB
 10/15/09, KPM
 FD MAG/WASHER
 REFB87
 9/15/20, DSA
 3/17/21, JFO
 SET MAG/WASHER
 11/9/23, DSA



O.D.O.T. DISTRICT 2 SURVEY OFFICE (USE ONLY)

PERSONNEL

REFERENCE NO. 87 B

SHEET 31 OF 33

NOTES RHOADES

DATE 3/17/21

ROUTE US 224

H.C. O'DONNELL

WEATHER FAIR

COUNTY SENECA

R.C. _____

TEMP. 50°

TOWNSHIP VENICE

SECTION 4

DWG BY NIESE

PID PAVE TRAIN

T 1 N R 17 E

TYPE MONUMENT MAG/WASHER

ON SURFACE - ~~BELOW~~ ON

OFFSET C PAVEMENT 1' LT : ~~RT~~
9.5' TO LT EDGE PAVEMENT

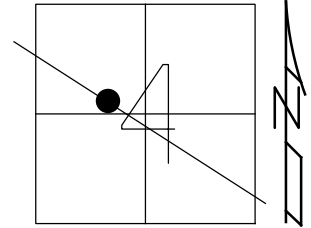
STATION: 1442+15.81

HORZ.DATUM: NAD83 2011

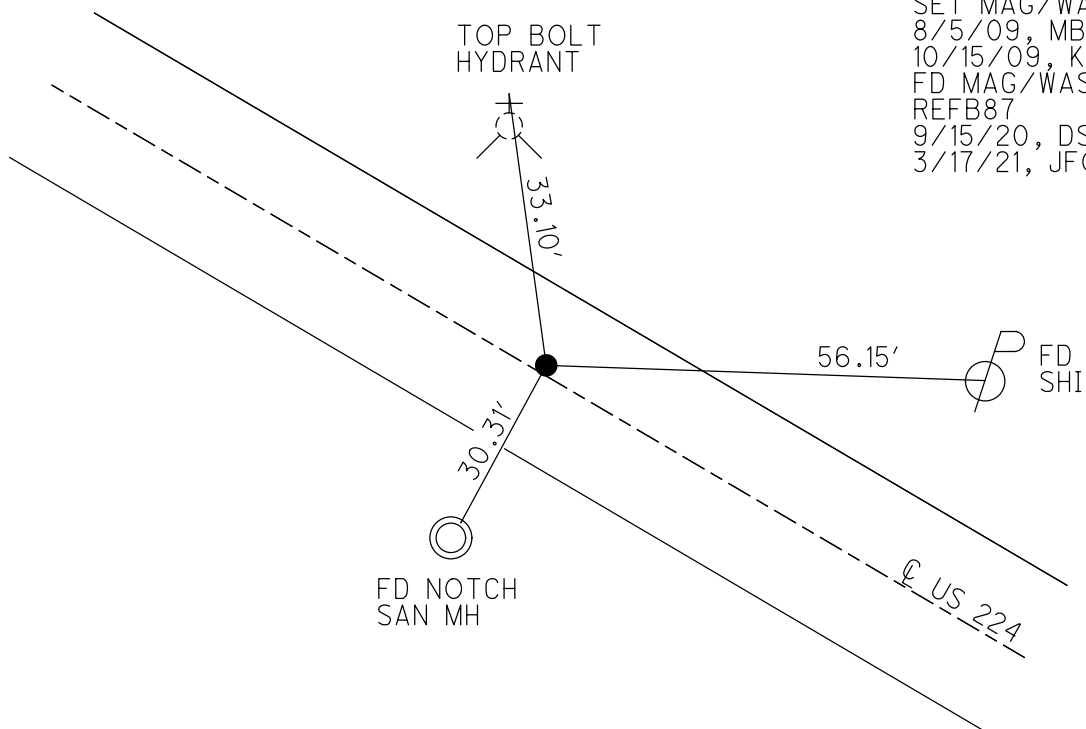
GEOID: NAVD88 2012A

GRID: NORTHING: 513437.847

EASTING: 1854294.365



RECORD: P.O.T.
 STA. 172+ ±
 FD P.K.NAIL
 SET P.K./WASHER
 11/2/82
 FD P.K./WASHER
 7/1/92
 SET P.K./WASHER
 12/7/92, JLR
 FD P.K./WASHER
 5/6/08
 SET MAG/WASHER
 8/5/09, MB
 10/15/09, KPM
 FD MAG/WASHER
 REFB87
 9/15/20, DSA
 3/17/21, JFO



O.D.O.T. DISTRICT 2 SURVEY OFFICE

PERSONNEL

REFERENCE NO. 87 B

SHEET 30 OF 35

NOTES Moser

DATE 8-5-09

ROUTE U.S. 224

H.C. Moser

WEATHER Fair

COUNTY SENECA

R.C. Pietkowski

TEMP. +40°

TOWNSHIP VENICE

Goldberg

SECTION 4

T. 1 N. R. 17 E

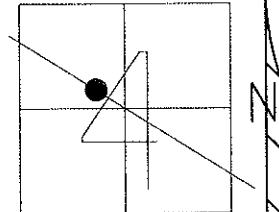
TYPE MONUMENT P.K./WASHER

ON SURFACE - ~~BELOW~~ ON

LEFT - Q PAV'T = RIGHT 1'

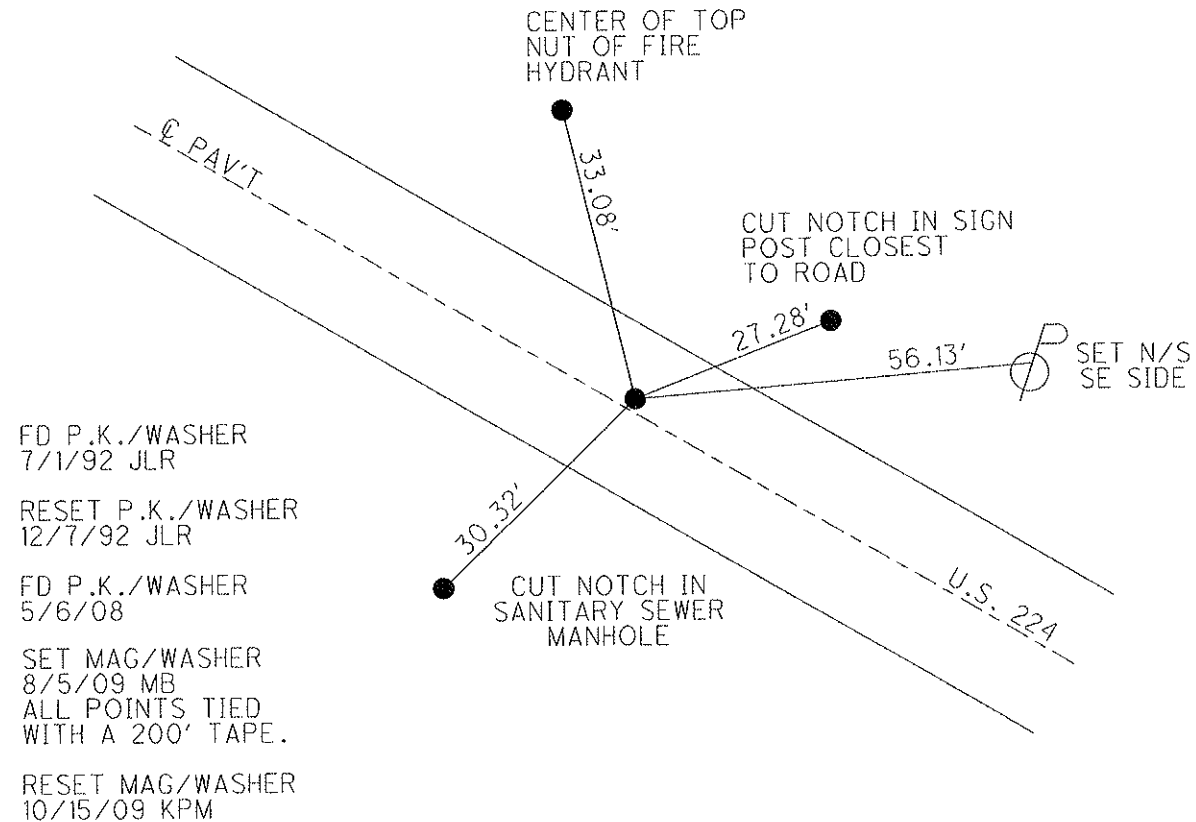
9.5' TO LT EDGE PAVEMENT

S.L.M. 1442+15.81



Grid: Northing: 513437.847 Easting: 1854294.365

RECORD: 11-02-82
 P.O.T. STATION 172± SET PK&WASHER
 ATOP PK 1'± LT Q OF PAV'T



O.D.O.T. DISTRICT 2 SURVEY OFFICE

PERSONNEL

REFERENCE NO. 87-B SHEET 28 OF 32

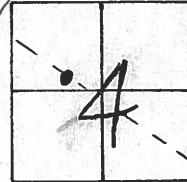
NOTES Cheney
 H.C. RIPPLE
 R.C. BARBOUR
GEYMAN

DATE 17-01-92
 WEATHER Cloudy
 TEMP. 65°

ROUTE U.S. 224
 COUNTY Seneca
 TOWNSHIP Venice
 SECTION 4
 T.J.N.R 17 E

7-1-92
 TYPE MONUMENT Fd. P.K. & Washer Reset P.K. & Washer
 ON SURFACE - ~~BELLO~~ YES 12-07-92
 LEFT - 0 PAV'T. - RIGHT 1'
9' TO LT. EDGE PAVEMENT
 S.L.M. 1441 + 70

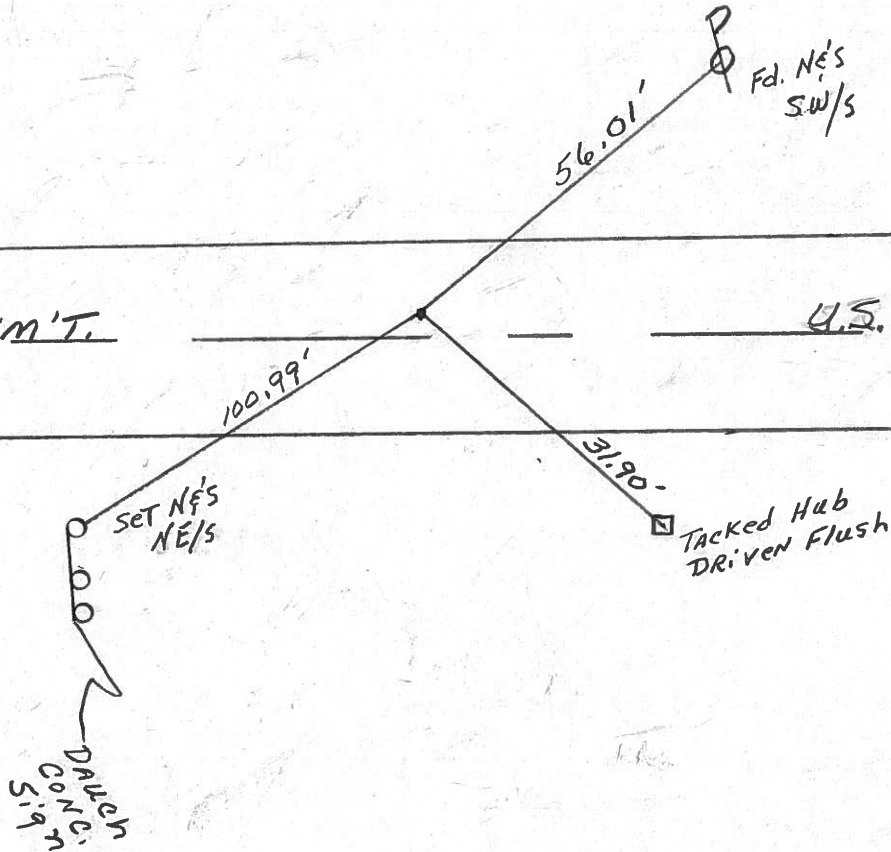
J.L.R.



Record: 11-02-82
 P.O.T. STA. 172± SET P.K. & WASHER
 ATOP P.K. 1' LT. & OF PAVM'T

Q. PAVM'T.

U.S. 224



County Seneca S. R. # 224

Township Venice

Section 4

T/N, R/E

Personnel Cronin

Ripple

Geyman

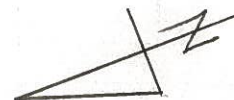
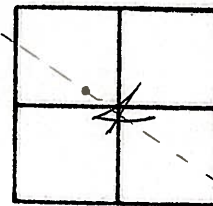
Barbour

87-B

Date 11/02/82 Drawn 1/25/83

Weather sunny-windy

Temp. 65°

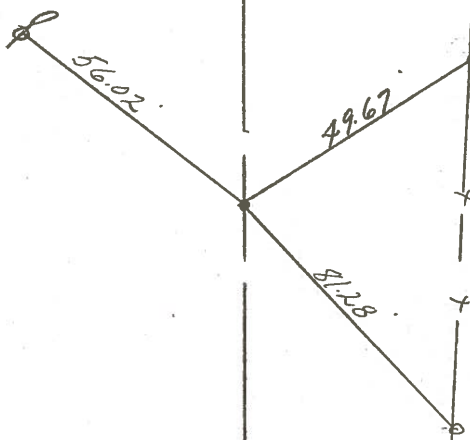


P.O.T.

182 ±

set P.K. & washer & top

P.K. 1 ± Lt. of & pavement



& R/W U.S. # 2247