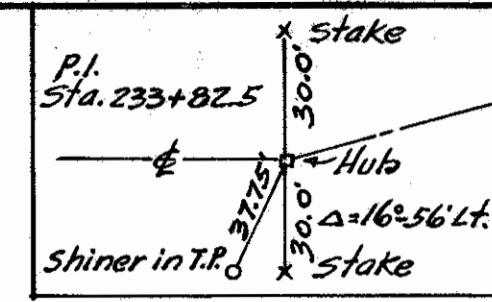
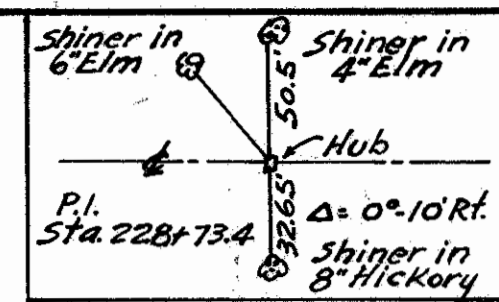


SEC. 7 T-1-N R-15-E EDEN TWP.

SENECA COUNTY SEC. B (PT.) S.H. 966 & SEC. TIFFIN (PT.) R/W PLANS

Date: May 29, 1941 Drawn By: H.H.  
Revised  
LENGTH OF PROJECT: 16,850.65 FT. = 3.191 MILES



25  
STEPHEN J. WARNER

28  
MICHAEL D. LEAHY

Curve Data  
Δ = 16°-56'  
D = 3°-00'  
T = 284.29'  
L = 564.45'

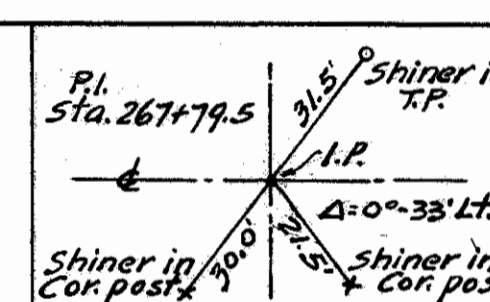
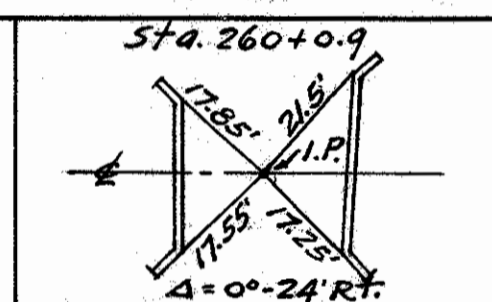
26  
STEPHEN J. WARNER

29  
JOSEPHINE WALTER

SEC. 8  
SEC. 7

T-1-N R-15-E EDEN TWP.  
T-1-N R-15-E EDEN TWP.

SEC. 7  
SEC. 6



31  
EPHREM C. BUCHMAN

33  
PAUL RANDALL

35  
GERALD DANIEL

30  
MOHAWK GOLF CLUB

32  
MOHAWK LAKE COUNTRY CLUB

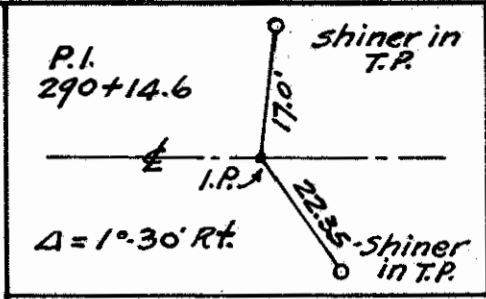
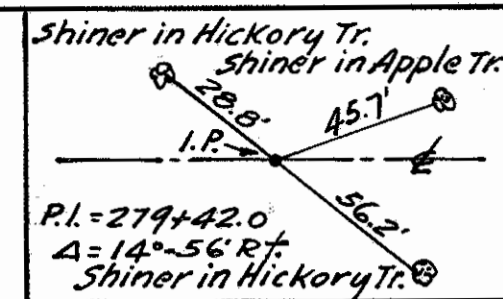
34  
EDGAR J. BLOOM

36  
GERALD DANIEL

SEC. 7

T-1-N R-15-N EDEN TWP.

SEC. 6

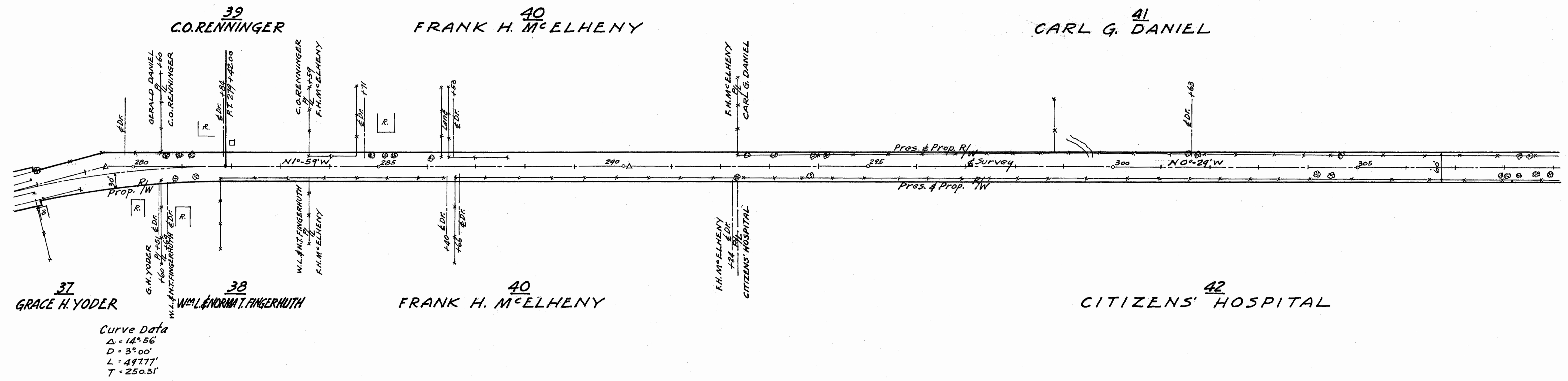


SEC. 6 T-1-N R-15-E EDEN TWP.

SENECA COUNTY SEC. B (PT.)  
 S.H. 966 & SEC. TIFFIN (PT.)  
 R/W PLANS

Date: May 29, 1941 Drawn By: HH  
 Revised  
 LENGTH OF PROJECT: 16,850.65 FT. = 3.191 MILES

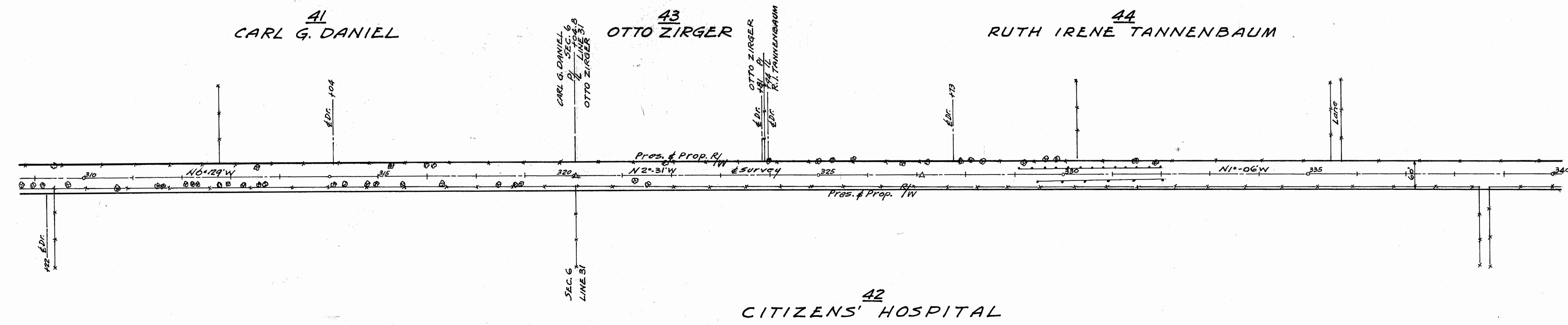
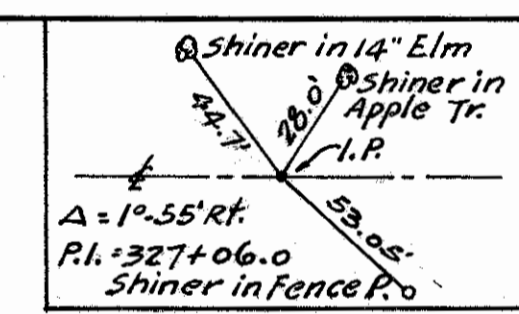
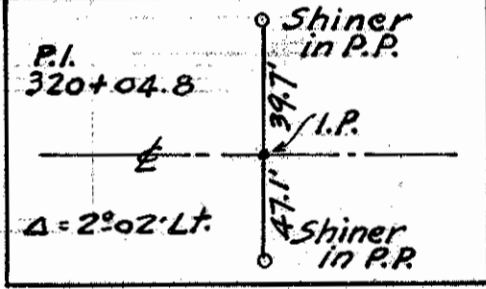
2/4



SEC. 6 T-1-N R-15-E EDEN TWP.

SEC. 6 T-1-N R-15-E EDEN TWP.

SEC. 31 T-2-N R-15-E CLINTON TWP.



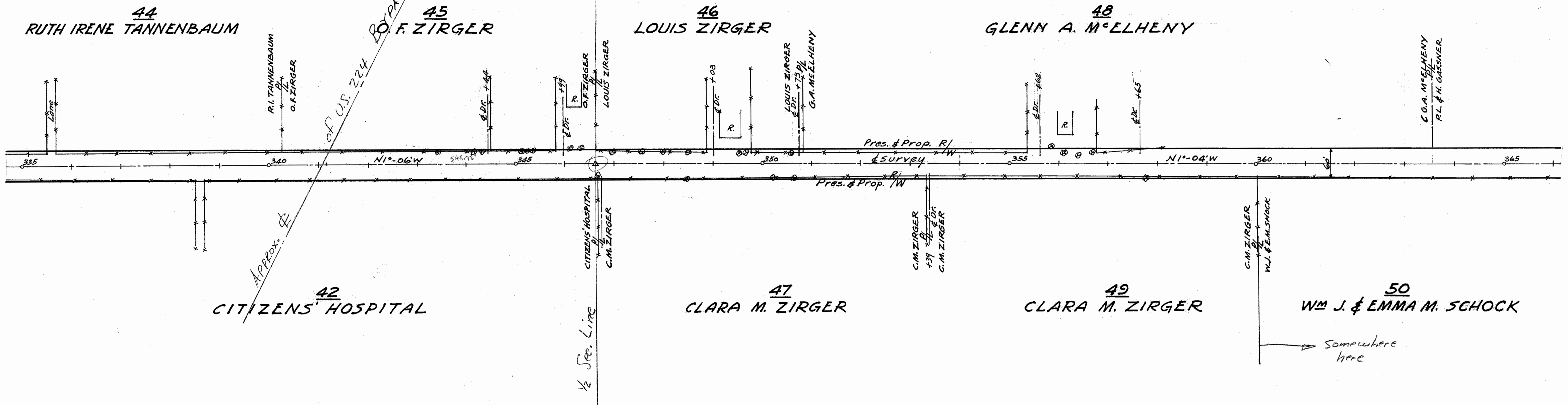
SEC. 6 T-1-N R-15-E EDEN TWP.

SEC. 31 T-2-N R-15-E CLINTON TWP.

SEC. 31 T-2-N R-15-E CLINTON TWP.

SENECA COUNTY SEC. B (PT) 3  
S.H. 966 & SEC. TIFFIN (PT) 4  
R/W PLANS

Date: May 29, 1941 Drawn By: HH  
Revised  
LENGTH OF PROJECT: 16,850.65 FT. = 3.191 MILES

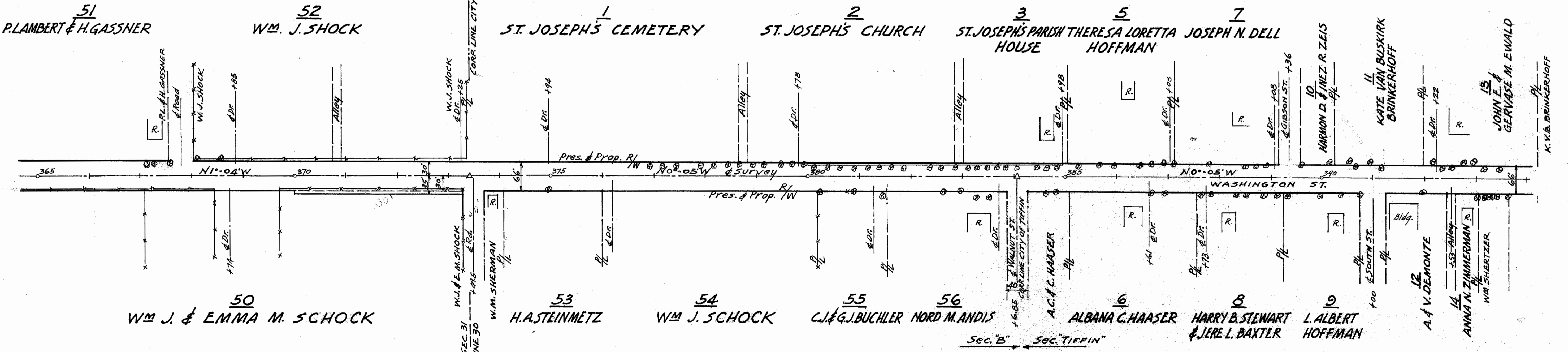


SEC. 31 T-2-N R-15-E CLINTON TWP.

SEC. 31 T-2-N R-15-E CLINTON TWP.

SEC. 30 T-2-N R-15-E CLINTON TWP. CITY OF TIFFIN

SPRINGDALE ADD'N.

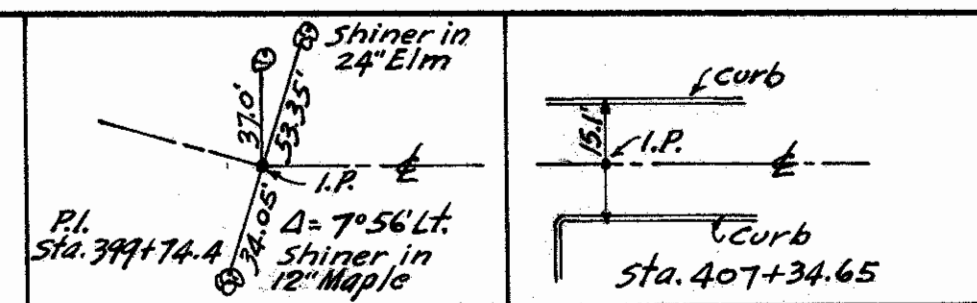


SEC. 31 T-2-N R-15-E CLINTON TWP.

SEC. 30 T-2-N R-15-E CLINTON TWP.

NEWSONETA ADD'N. SHEELEY'S REPLAT  
CITY OF TIFFIN KAULL & GLENN ADD'N.

REPLAT 1880  
LOT L



SEC. 31 T-2-N R-15-E CLINTON TWP.  
CITY OF TIFFIN  
CRONISE ADD'N.

SENECA COUNTY SEC. B (PT.)  
S.H. 966 & SEC. TIFFIN (PT.)  
R/W PLANS

4  
4

Date: May 29, 1941 Drawn By: HH  
Revised  
LENGTH OF PROJECT: 16,850.65 FT. = 3.191 MILES

HEDGES ESTATE

15  
KATE VAN BUSKIRK BRINKERHOFF

16  
WM SHERTZER

KAULL & GLENN'S ADD'N.

HERRICK SUBD'N.

HEDGES ESTATE

CITY OF TIFFIN  
SEC. 31 T-2-N R-15-E CLINTON TWP.

