

O.D.O.T. DISTRICT 2 SURVEY OFFICE (USE ONLY)

PERSONNEL _____ REFERENCE NO. 12 A SHEET 15 OF 34
 NOTES RHOADES DATE 11/3/23 ROUTE SR 231
 H.C. AUBLE WEATHER SUNNY COUNTY SENECA
 R.C. ASTON TEMP. 45° TOWNSHIP EDEN
 _____ NIESE SECTION 18
 DWG BY RHOADES PID 95780 T 1 N R 15 E

TYPE MONUMENT MAG/WASHER

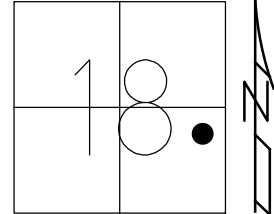
ON SURFACE - ~~BELOW~~ ON

OFFSET \odot PAVEMENT 6.7' LT : ~~RT~~
3.4' TO LT EDGE PAVEMENT

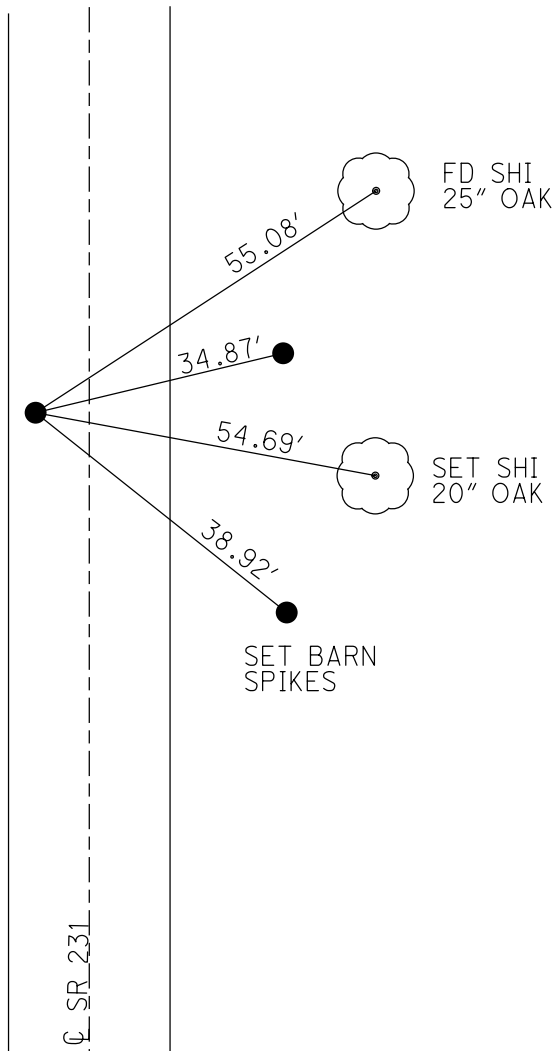
STATION: 179+63

HORIZ.DATUM: NAD83(2011) GEOID: NAVD88 2018

GRID: NORTHING: 501887.588 EASTING: 1783582.554



RECORD: P.I.
 $\Delta = 7^{\circ}08' RT$
 STA.179+13.51
 SET P.K./WASHER
 6/29/81, CRONIN
 FD P.K./WASHER
 6/19/97, MDB
 SET P.K./WASHER
 8/21/97, MDB
 FD P.K./WASHER
 8/16/04, MC
 FD P.K.NAIL
 REFA12
 3/27/19
 8/16/19, JFO
 FD P.K./WASHER
 3" DOWN
 REF12A
 4/19/23, TDN
 SET MAG/WASHER
 11/3/23, DSA



O.D.O.T. DISTRICT 2 SURVEY OFFICE (USE ONLY)

PERSONNEL _____ REFERENCE NO. 12 A SHEET 14 OF 33
 NOTES BARNHISEL DATE 6/19/97 ROUTE SR 231
 H.C. CANTERBURY WEATHER SUNNY COUNTY SENECA
 R.C. ROUSOS TEMP. +70° TOWNSHIP EDEN
WEAVER SECTION 18
 DWG BY NIESE PID 107060 T 1 N R 15 E

TYPE MONUMENT PK/WASHER

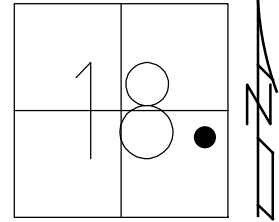
~~ON SURFACE~~ - BELOW 1 1/2"

OFFSET $\text{\textcircled{C}}$ PAVEMENT 7.0' LT : ~~RT~~
4.3' TO LT EDGE PAVEMENT

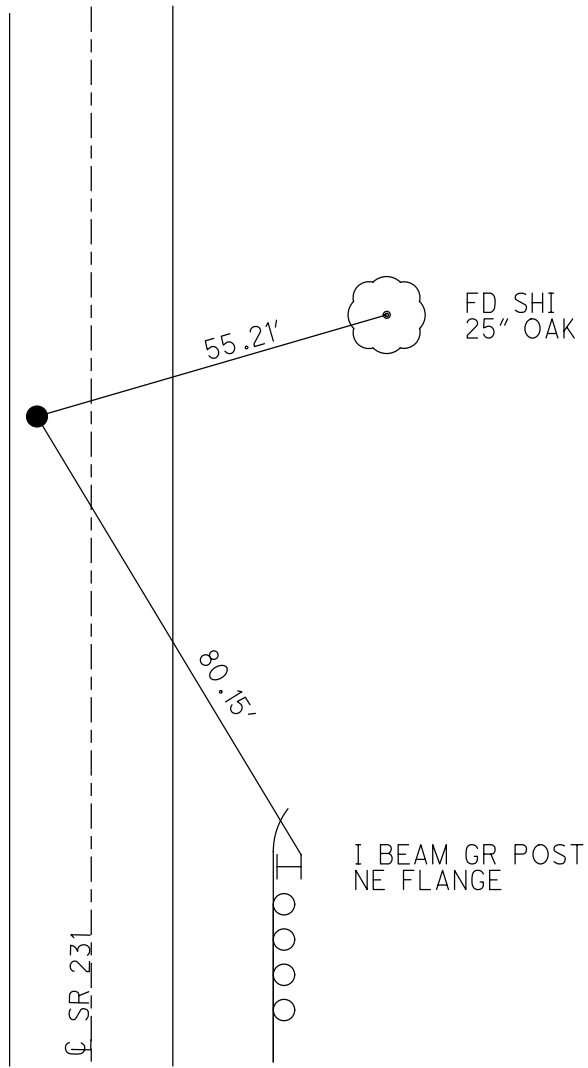
STATION: 179+63

HORIZ.DATUM: NAD83(2011) GEOID: 2012A

GRID: NORTHING: 501887.588 EASTING: 1783582.554



RECORD: P.I.
 $\Delta = 7^{\circ}08' \text{ RT}$
 STA.179+13.51
 SET P.K./WASHER
 6/29/81, CRONIN
 FD P.K./WASHER
 6/19/97, MDB
 SET P.K./WASHER
 8/21/97, MDB
 FD P.K./WASHER
 8/16/04, MC
 FD P.K.NAIL
 REFA12
 3/27/19
 8/16/19, JFO
 D.N.F.
 2/10/23, JMR



O.D.O.T. DISTRICT 2 SURVEY OFFICE (USE ONLY)

PERSONNEL _____ REFERENCE NO. 12 A SHEET 14 OF 33
 NOTES BARNHEISEL DATE 6/19/97 ROUTE SR 231
 H.C. CANTERBURY WEATHER SUNNY COUNTY SENECA
 R.C. ROUSOS TEMP. +70° TOWNSHIP EDEN
 _____ WEAVER _____ SECTION 18
 DWG BY NIESE PID 107060 T 1 N R 15 E

TYPE MONUMENT PK/WASHER

~~ON SURFACE~~ - BELOW 1 1/2"

OFFSET \varnothing PAVEMENT 7.0' LT : ~~RT~~

4.3' TO LT EDGE PAVEMENT

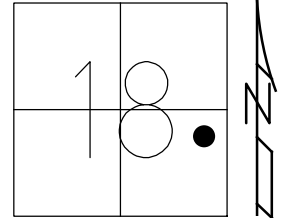
STATION: 179+63

HORZ. DATUM: NAD83(2011)

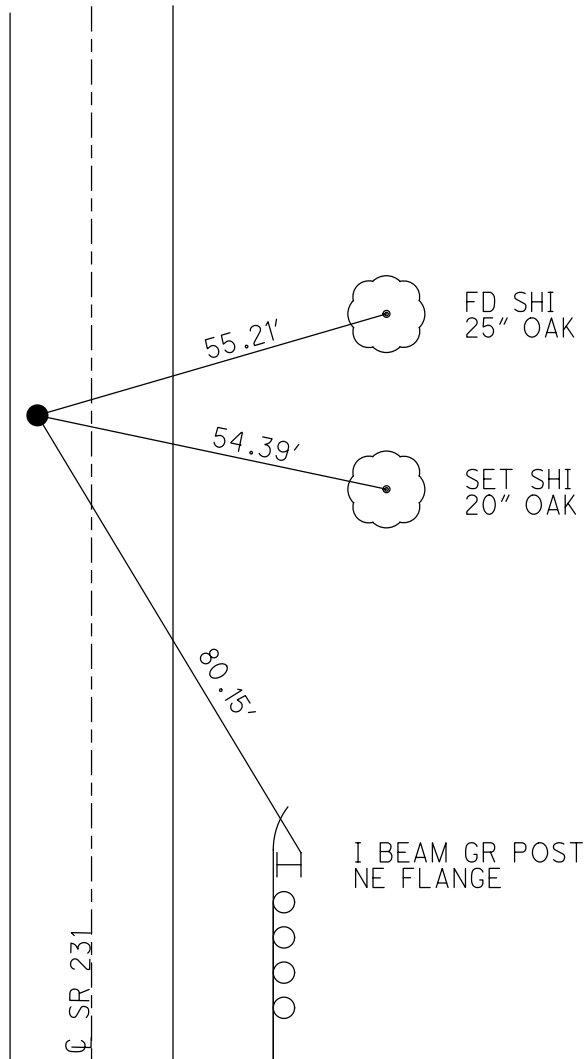
GEOID: 2012A

GRID: NORTHING: 501887.588

EASTING: 1783582.554



RECORD: P.I.
 $\Delta = 7^{\circ}08' RT$
 STA. 179+13.51
 SET P.K./WASHER
 6/29/81, CRONIN
 FD P.K./WASHER
 6/19/97, MDB
 SET P.K./WASHER
 8/21/97, MDB
 FD P.K./WASHER
 8/16/04, MC
 FD P.K. NAIL
 REFA12
 3/27/19
 8/16/19, JFO



O.D.O.T. DISTRICT 2 SURVEY OFFICE

PERSONNEL

REFERENCE NO. _____

SHEET 14 OF 27

NOTES BARNHISEL

H.C. CANTERBURY

DATE 6-19-97

ROUTE SR 231

R.C. Rausos
WEAVER

WEATHER SUNNY

COUNTY SENECA

TEMP. +70

TOWNSHIP EDEN

Drawn By Rausos

SECTION 18 & 19

T 1 N R 15 E

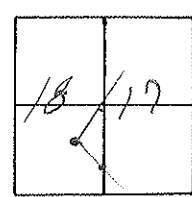
TYPE MONUMENT P.K. / WASHER

ON SURFACE - BELOW 1 1/2"

LEFT - C PAV'T. - RIGHT 7.0

6.3 TO LT EDGE PAVEMENT

S.L.M. S+475.3 M 179+63



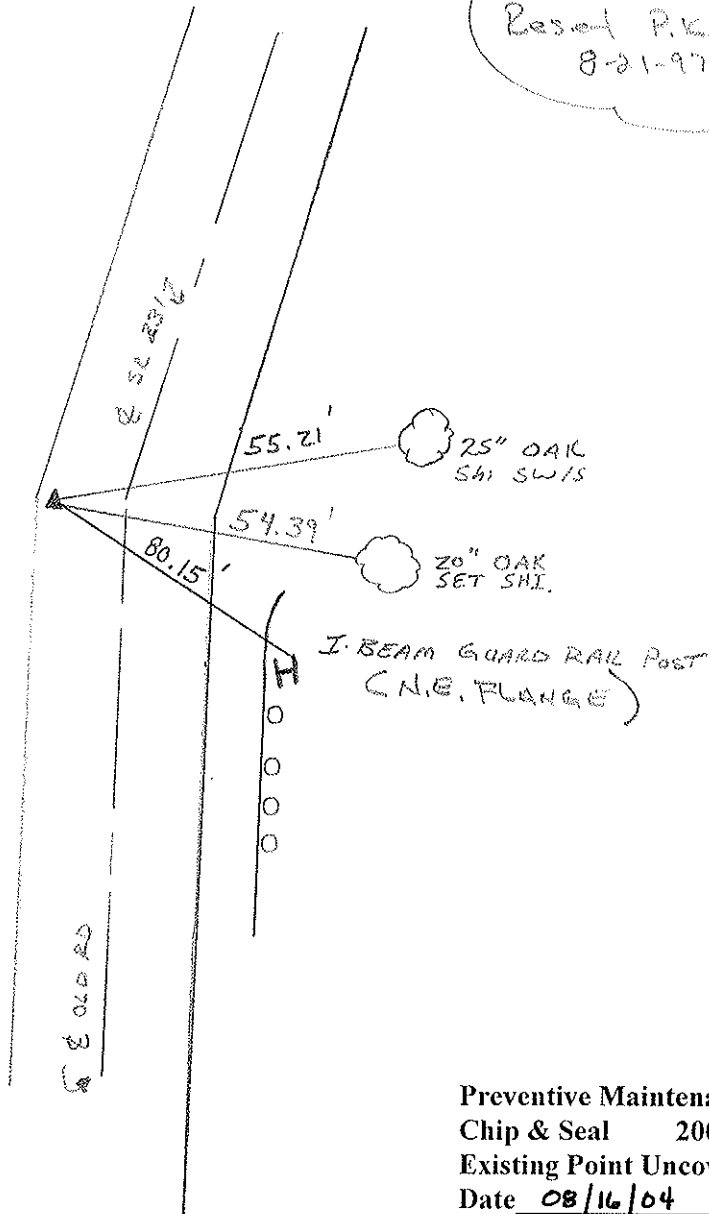
Reset P.K. / washer
8-21-97 MOB

Fd.

RECORD:
Δ = 7° 08' Rt
P.J. Old Road
179+131.51
SET P.K. NAIL & WASHER

Note:

See notes by
Cramm 6/29/91



Preventive Maintenance
Chip & Seal 2004
Existing Point Uncovered
Date 08/16/04 ML

Q.D.O.T. DISTRICT 2 SURVEY OFFICE

Sht. ___ of ___

County SENECA S.R. #231

Date 7/7/81

Township EDEN

Weather SUNNY

Section 17 E 18

Temp. 70°

T1N, R13E

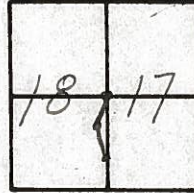
Personnel CRONIN

GEYMAN

MOSSER

BARBOUR

12-A



A = 7°08' Rt.

P.I. Old Road

179 + 13.51

Set P.K. Nail & Washer

