

O.D.O.T. DISTRICT 2 SURVEY OFFICE (USE ONLY)

PERSONNEL

REFERENCE NO. 13 A

SHEET 17 OF 34

NOTES RHOADES

DATE 11/3/23

ROUTE SR 231

H.C. AUBLE

WEATHER SUNNY

COUNTY SENECA

R.C. ASTON

TEMP. 45°

TOWNSHIP EDEN

NIESE

SECTION 18

DWG BY RHOADES PID 107060

T 1 N R 15 E

TYPE MONUMENT MAG/WASHER

ON SURFACE - ~~BELOW~~ ON

OFFSET CL PAVEMENT 1.0' ~~LT~~ : RT

9.0' TO RT EDGE PAVEMENT

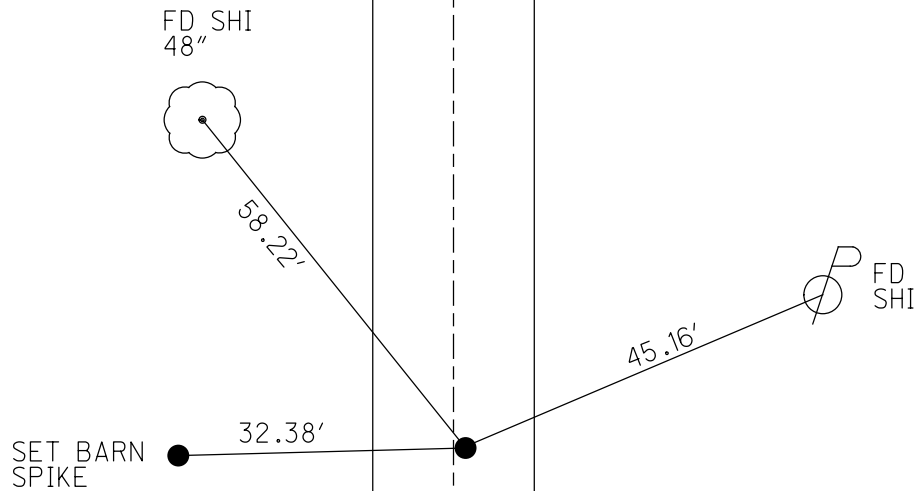
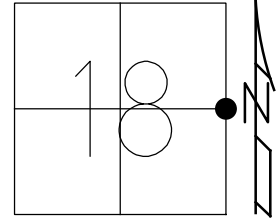
STATION: 206+53

HORZ.DATUM: NAD83(2011)

GEOID: NAVD88 2018

GRID: NORTHING: 504570.883

EASTING: 1783667.175



RECORD:
 ORIGIN UNKNOWN
 FD LG.R.R.SPIKE
 6/20/97, MC
 SET P.K./WASHER
 8/21/97, MB
 FD P.K./WASHER
 8/16/04, MC
 FD P.K./WASHER
 REFA13
 3/27/19
 8/16/19, JFO
 2/10/23, JMR
 FD P.K.NAIL
 4/19/23, TDN
 SET MAG/WASHER
 11/3/23, DSA

CL SR 231

O.D.O.T. DISTRICT 2 SURVEY OFFICE (USE ONLY)

PERSONNEL _____

REFERENCE NO. 13 A

SHEET 16 OF 33

NOTES CANTERBURY

DATE 6/20/97

ROUTE SR 231

H.C. CANTERBURY

WEATHER SUNNY

COUNTY SENECA

R.C. ROUSOS

TEMP. 89°

TOWNSHIP EDEN

SECTION 18

DWG BY NIESE

PID 107060

T 1 N R 15 E

TYPE MONUMENT LG.R.R.SPIKE

ON SURFACE - ~~BELOW~~ ON

OFFSET \varnothing PAVEMENT 1.0' ~~LT~~ : RT

9.0' TO RT EDGE PAVEMENT

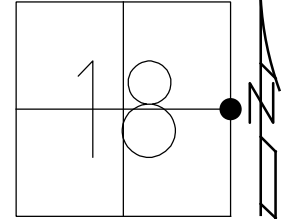
STATION: 206+53

HORZ.DATUM: NAD83(2011)

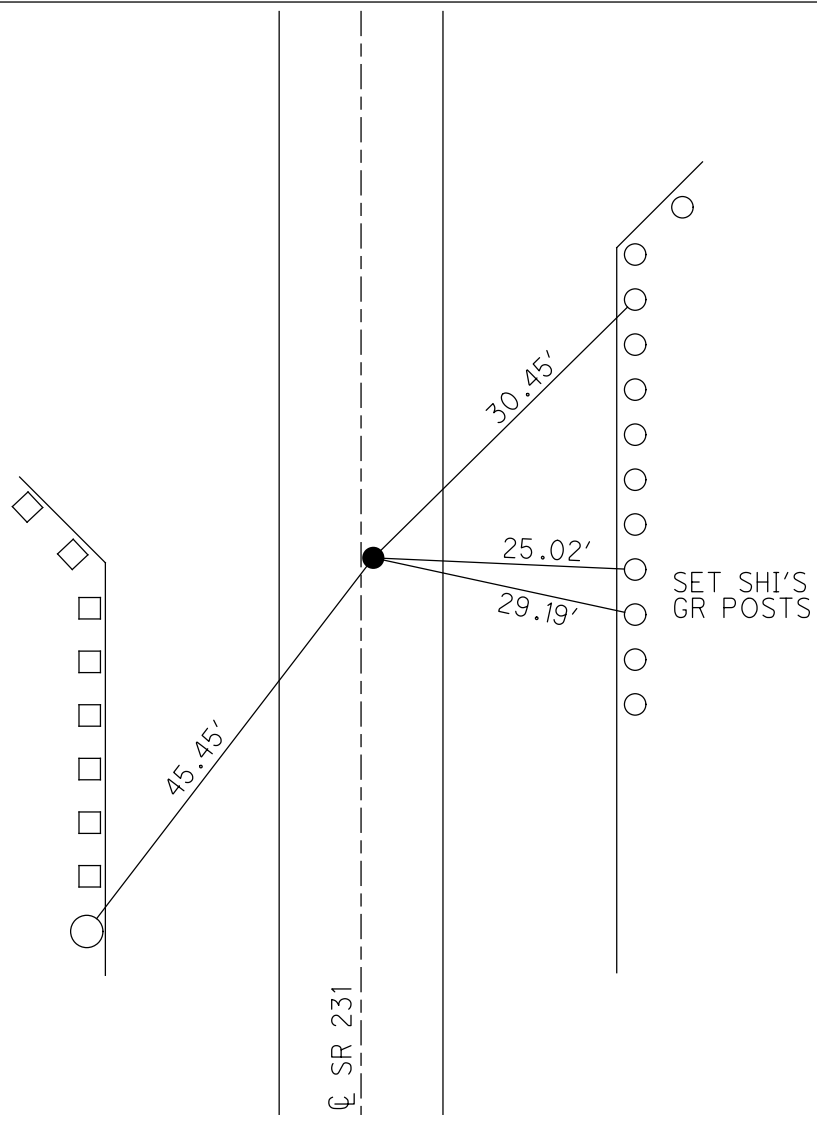
GEOID: 2012A

GRID: NORTHING: 504570.883

EASTING: 1783667.175



RECORD:
 ORIGIN UNKNOWN
 FD LG.R.R.SPIKE
 6/20/97, MC
 SET P.K./WASHER
 8/21/97, MB
 FD P.K./WASHER
 8/16/04, MC
 FD P.K./WASHER
 REFA13
 3/27/19
 8/16/19, JFO
 2/10/23, JMR



O.D.O.T. DISTRICT 2 SURVEY OFFICE (USE ONLY)

PERSONNEL _____

REFERENCE NO. 13 A

SHEET 16 OF 33

NOTES CANTERBURY

DATE 6/20/97

ROUTE SR 231

H.C. CANTERBURY

WEATHER SUNNY

COUNTY SENECA

R.C. ROUSOS

TEMP. 89°

TOWNSHIP EDEN

SECTION 18

DWG BY NIESE

PID 107060

T 1 N R 15 E

TYPE MONUMENT LG.R.R.SPIKE

ON SURFACE - ~~BELOW~~ _____ ON _____

OFFSET \varnothing PAVEMENT 1.0' ~~LT~~ : RT

9.0' TO RT EDGE PAVEMENT

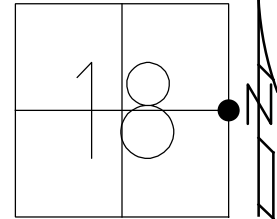
STATION: 206+53

HORZ.DATUM: NAD83(2011)

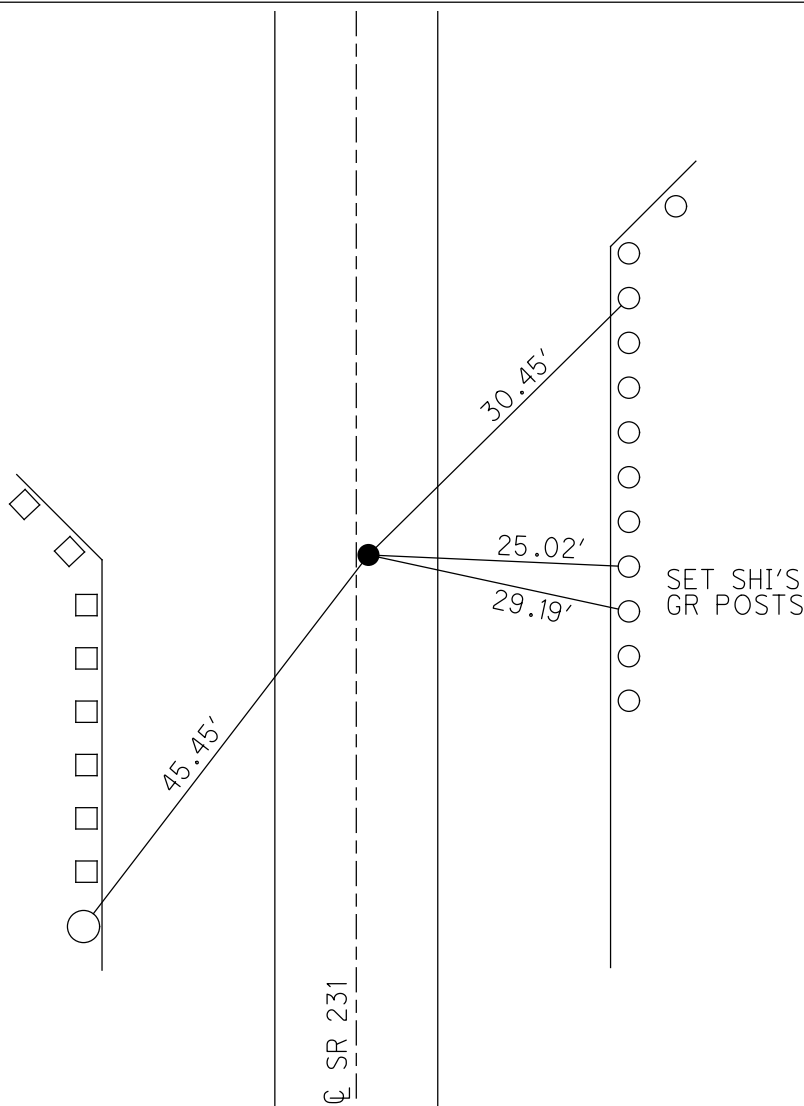
GEOID: 2012A

GRID: NORTHING: 504570.883

EASTING: 1783667.175



RECORD:
 ORIGIN UNKNOWN
 FD LG.R.R.SPIKE
 6/20/97, MC
 SET P.K./WASHER
 8/21/97, MB
 FD P.K./WASHER
 8/16/04, MC
 FD P.K./WASHER
 REFA13
 3/27/19
 8/16/19, JFO



O.D.O.T. DISTRICT 2 SURVEY OFFICE

PERSONNEL _____

REFERENCE NO. _____

SHEET 16 OF 27

NOTES Canterbury

H.C. Canterbury

R.C. Rousos

Drawn By Rousos

DATE 6-20-99

WEATHER Sunny

TEMP. +89°

ROUTE SR 231

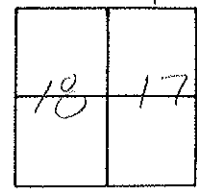
COUNTY SENECA

TOWNSHIP EDEN

SECTION 18, 17

T.L.N.R. 15 E

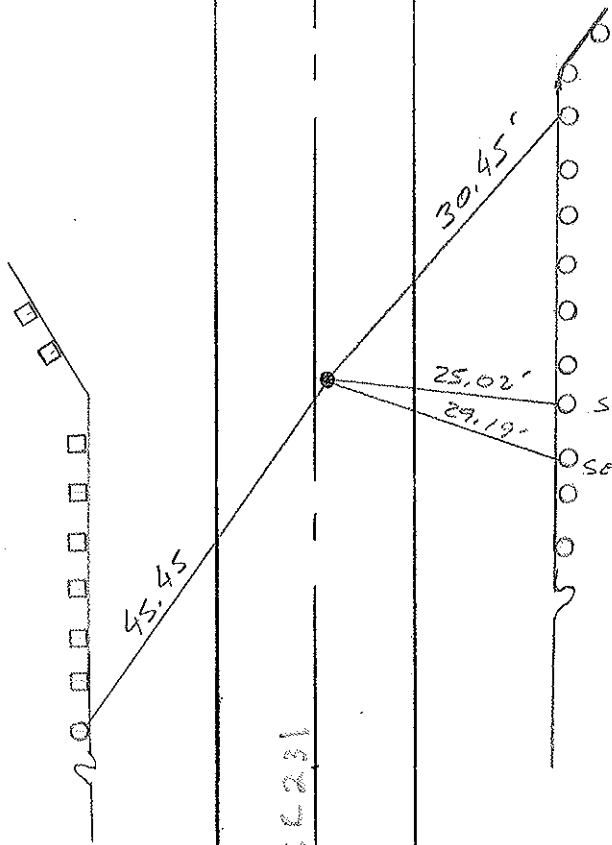
TYPE MONUMENT LG RR SPIKE
 ON SURFACE - ~~BELOW~~ ON SURFACE
~~LEFT - C PAV'T.~~ - RIGHT 10 RT
9.0 TO RT EDGE PAVEMENT
 S.L.M. 6+295 M 206+53



ORIGINAL UNKALMINT

RESET PK W/ WASHER
 8-21-99
 MFB

Set SA; N&S
G-RAIL POST



SET SA; NW/S G-RAIL POST

SET SA; NW/S G-RAIL POST

E 56231

Preventive Maintenance
 Chip & Seal 2004
 Existing Point Uncovered
 Date 08/16/04 ML

O.D.O.T. DISTRICT 2 SURVEY OFFICE

PERSONNEL

REFERENCE NO. _____

SHEET _____ OF _____

NOTES VAN DUSEN

H.C. VAN DUSEN

R.C. BARNHISEL

BURNETT

KUSZ

DATE 6-19-92

WEATHER Cloudy

TEMP. +60° F

ROUTE 231

COUNTY GENECA

TOWNSHIP EDEN

SECTION _____

T. 1 N. R. 15 E

TYPE MONUMENT LARGE R.R. SPK.

~~ON SURFACE~~ - BELOW 2"

LEFT- & PAV'T. - RIGHT 0.5

2.5 TOL T EDGE PAVEMENT

S.L.M. 211+37.31

14

7	8
18	17

