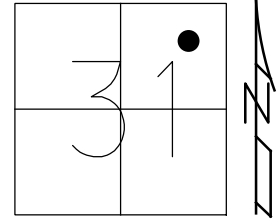


O.D.O.T. DISTRICT 2 SURVEY OFFICE (USE ONLY)

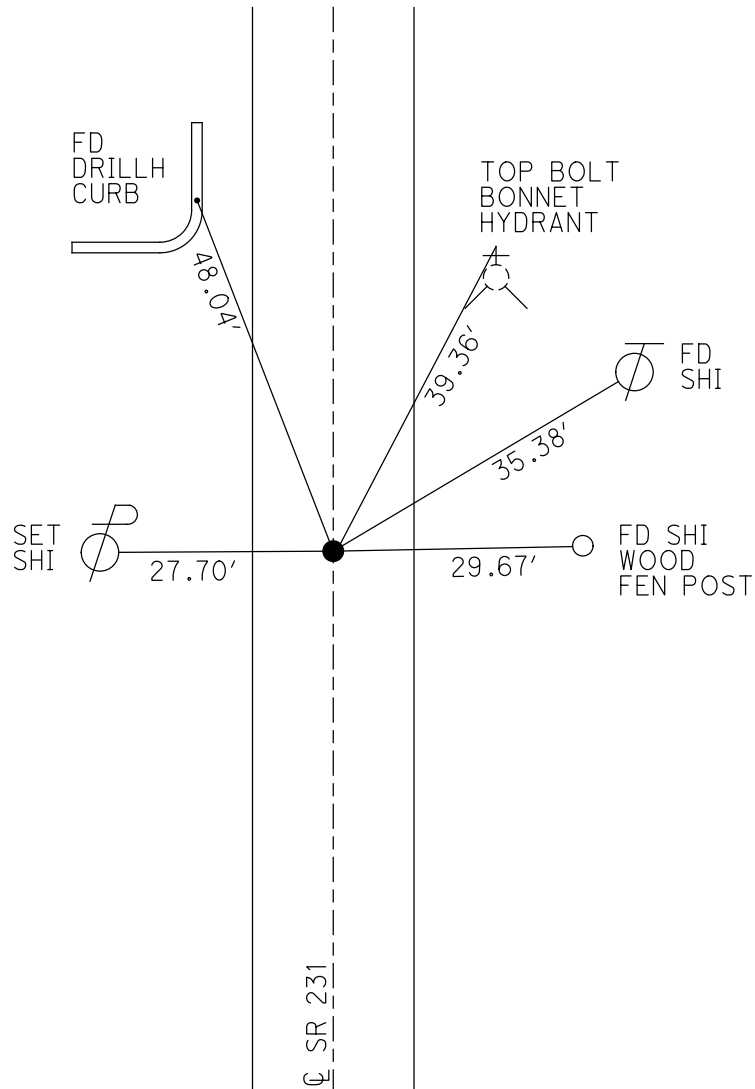
PERSONNEL _____ REFERENCE NO. 24 SHEET 29 OF 34
 NOTES RHOADES DATE 11/2/23 ROUTE SR 231
 H.C. AUBLE WEATHER SUNNY COUNTY SENECA
 R.C. MILLER TEMP. 39° TOWNSHIP CLINTON
 DWG BY RHOADES PID 95780 SECTION 31
 T 2 N R 15 E

TYPE MONUMENT MAG/WASHER
 ON SURFACE - ~~BELOW~~ ON
 OFFSET \varnothing PAVEMENT ON LT : RT
9.1' TO LT EDGE PAVEMENT
 STATION: 347+54



HORZ. DATUM: NAD83(2011) GEOID: NAVD88 2018
 GRID: NORTHING: 518457.130 EASTING: 1782491.137

RECORD:
 FD BOAT SPIKE
 3" DOWN
 SET MAG/WASHER
 6/22/04, MC
 FD P.K./WASHER
 REF24
 4/25/19
 8/16/19, JFO
 FD P.K. SHANK
 REF24
 4/20/23, TDN
 SET MAG/WASHER
 11/2/23, DSA



O.D.O.T. DISTRICT 2 SURVEY OFFICE (USE ONLY)

PERSONNEL

REFERENCE NO. 24

SHEET 28 OF 33

NOTES BARNHESEL

DATE 6/22/04

ROUTE SR 231

H.C. CANTERBURY

WEATHER SUN

COUNTY SENECA

R.C. ADKINS

TEMP. 75°

TOWNSHIP CLINTON

DWG BY NIESE PID PT-SEN19

SECTION 31

T 2 N R 15 E

TYPE MONUMENT BOAT SPIKE

~~ON SURFACE~~ - BELOW 3"

OFFSET CL PAVEMENT 0.7' LT : ~~RT~~

9.1' TO LT EDGE PAVEMENT

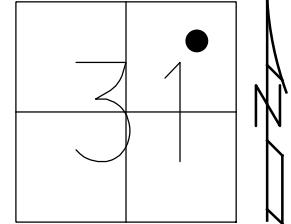
STATION: 347+54

HORIZ.DATUM: NAD83(2011)

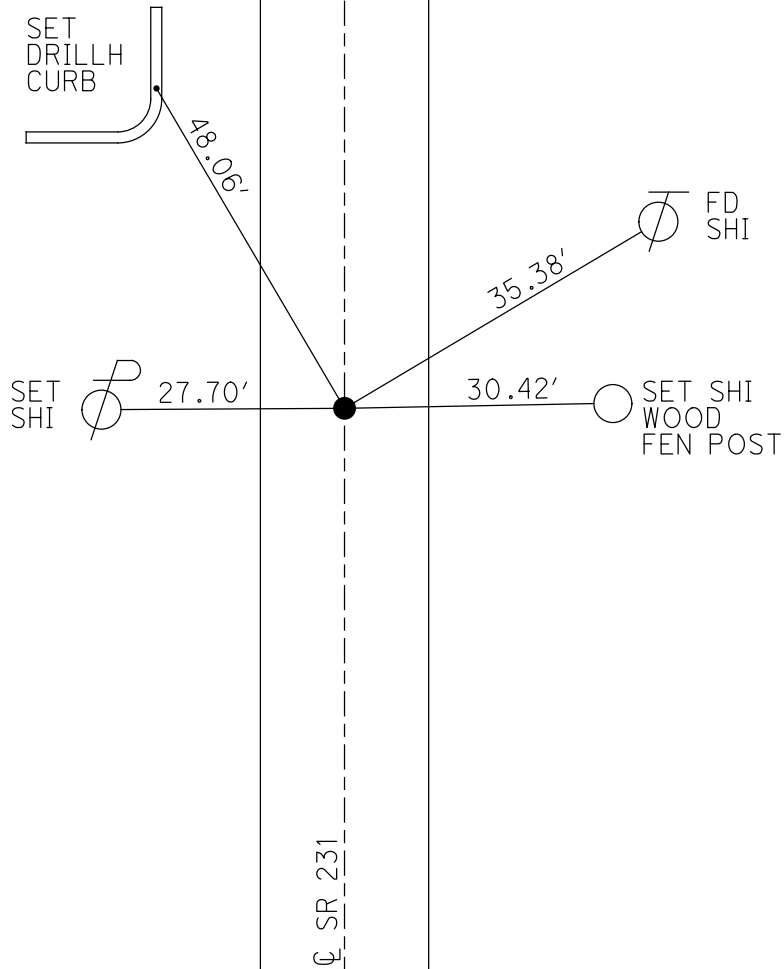
GEOID: 2012A

GRID: NORTHING: 518457.130

EASTING: 1782491.137



RECORD:
 FD BOAT SPIKE
 3" DOWN
 SET MAG/WASHER
 6/22/04, MC
 FD P.K./WASHER
 REF24
 4/25/19
 8/16/19, JFO



O.D.O.T. DISTRICT 2 SURVEY OFFICE

PERSONNEL _____

REFERENCE NO. _____

SHEET _____ OF _____

NOTES BARNHISEL

H.C. CANTERBURY

R.C. ADKINS

DRAWN: CANTERBURY

DATE 6-22-04

WEATHER SUN

TEMP. +75°

ROUTE S.R. 231

COUNTY SENECA

TOWNSHIP CLINTON

SECTION 31

T 2 N R 15 E

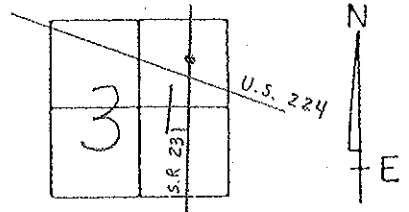
TYPE MONUMENT BOAT SPIRE

ON SURFACE - BELOW 3" DOWN

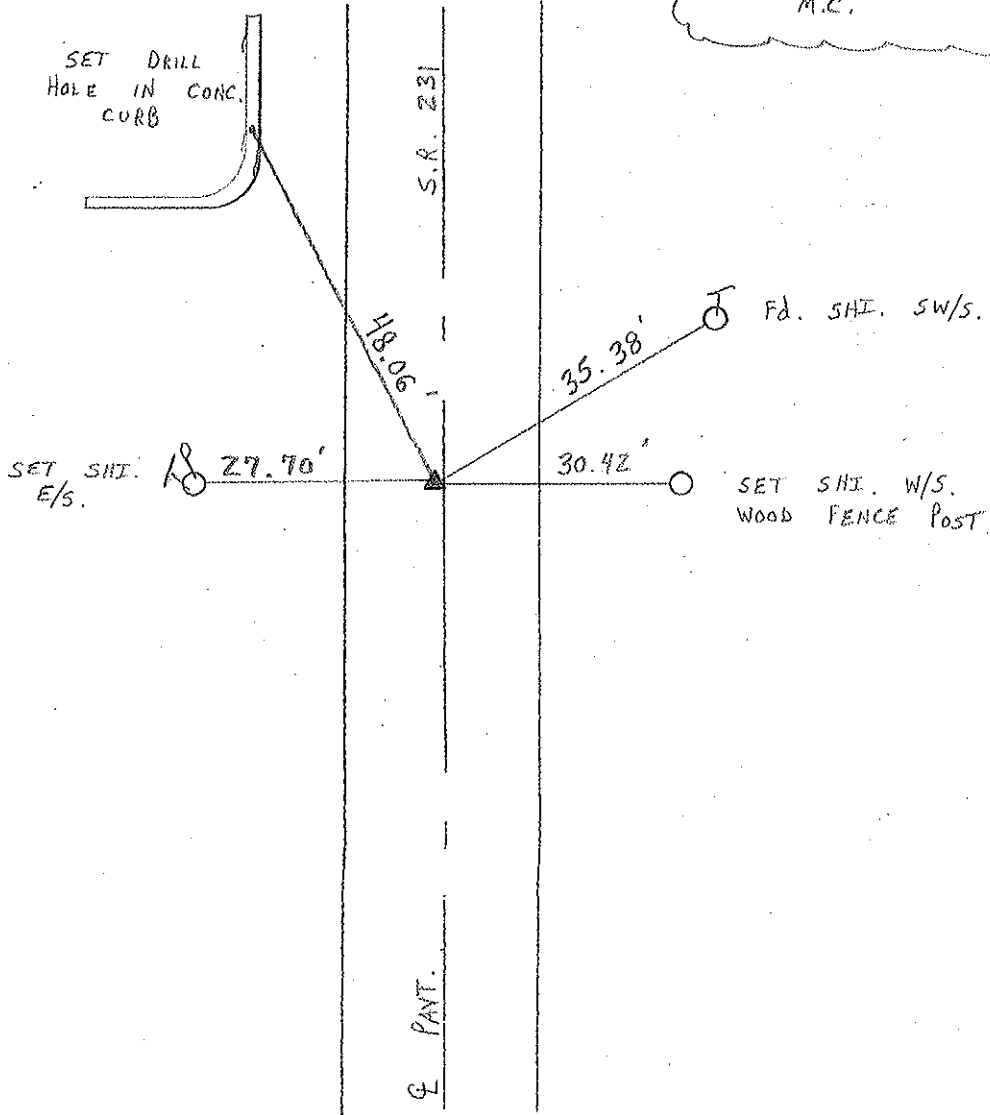
LEFT- ~~Q~~ PAV'T. - RIGHT 0.7' LT Q

9.1' TO LT. EDGE PAVEMENT

S.L.M. 347+54



RESET MAG/WASHER TO SURFACE
6/22/04
M.C.



PERSONNEL TITLE PERSONNEL TITLE

Schneider
Mosser
Barbour
Potts

Geyman

COUNTY Seneca

DATE 4-17-69

S. R. 231

WEATHER Fair

SEC. 6.47-7.26

TEMP. 80°

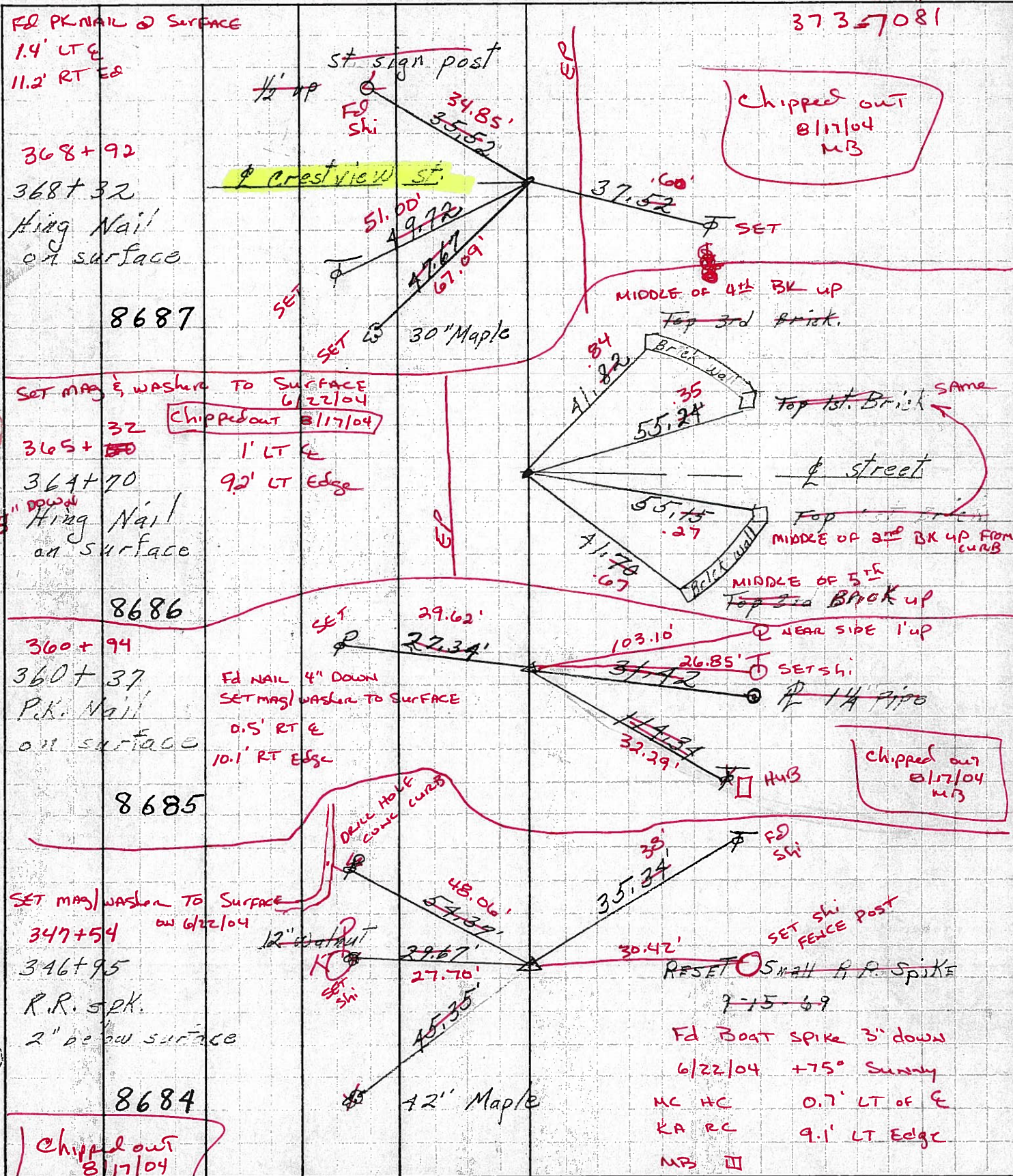
DESCRIPTION

Ties for Control Points

JOB NO.

TIFFIN Garage
37357081

LEFT CENTER LINE RIGHT



27

26

25

24

FD PK NAIL @ SURFACE
1.4' LT E
11.2' RT E

368+92
368+32
Hing Nail
on surface
8687

SET MAG & WASH TO SURFACE
6/22/04
365+32
364+70
Hing Nail
on surface
8686

360+94
360+37
P.K. Nail
on surface
8685

SET MAG WASH TO SURFACE
on 6/22/04
347+54
346+95
R.R. spk.
2" below surface
8684

Chipped out
8/17/04
MB

Chipped out
8/17/04
MB

Chipped out
8/17/04
MB

FD Boat SPIKE 3' down
6/22/04 +75° Sunny
MC HC 0.7' LT of E
KA RC 9.1' LT Edge
MB

PERSONNEL TITLE PERSONNEL TITLE

Schneider Geyman
Mosser
Barbour
Potts

COUNTY Seneca DATE 4-17-69

S. R. 231 WEATHER Fair

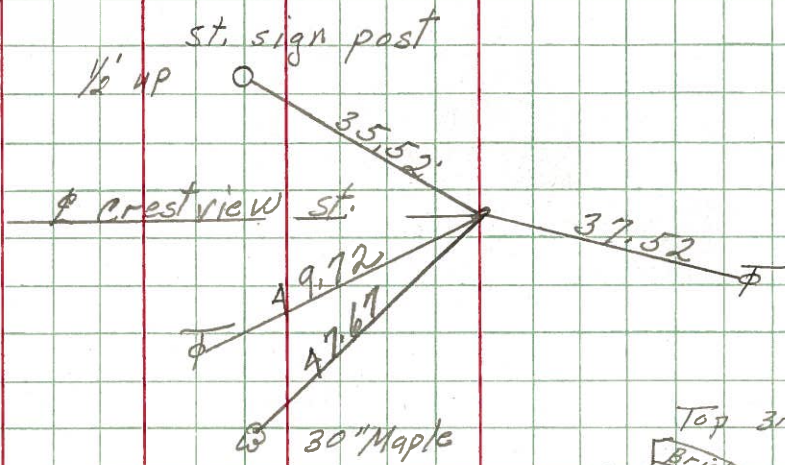
SEC. 6.47-7.26 TEMP. 80°

DESCRIPTION Ties for Control Points LEFT CENTER LINE RIGHT JOB NO.

27

368+32
Hing Nail
on surface

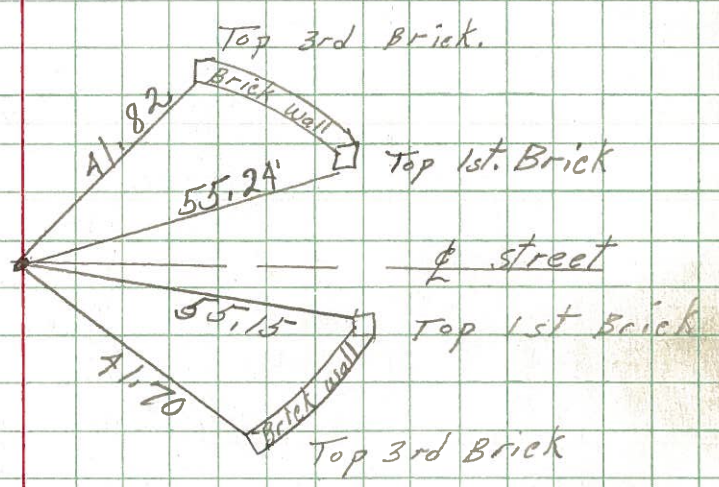
8687



26

364+70
Hing Nail
on surface

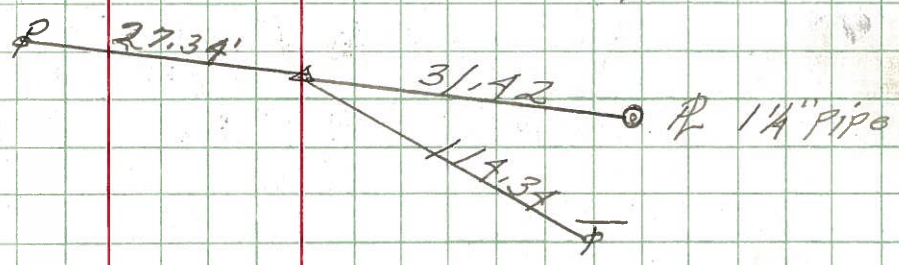
8686



25

360+37
P.K. Nail
on surface

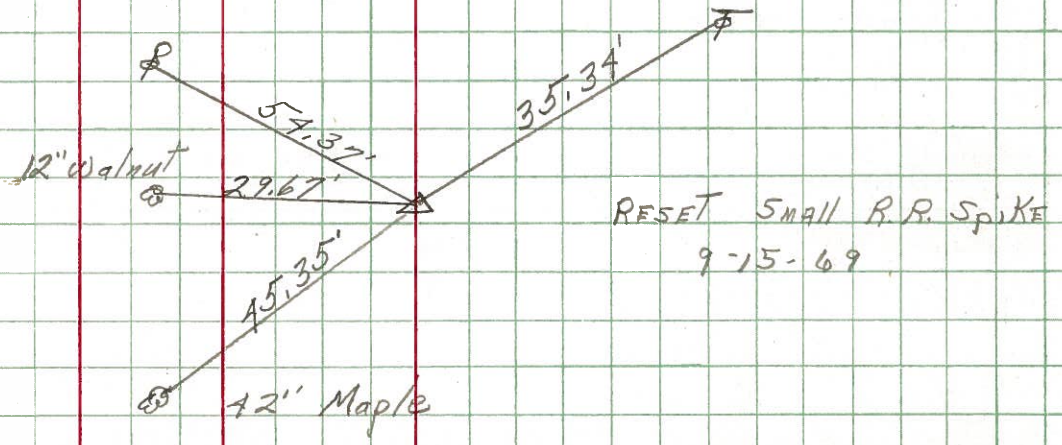
8685



24

346+95
R.R. spk.
2\"/>

8684



RESET SMALL R.R. SPIKE
9-15-69