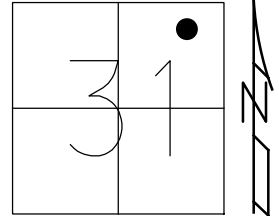


O.D.O.T. DISTRICT 2 SURVEY OFFICE (USE ONLY)

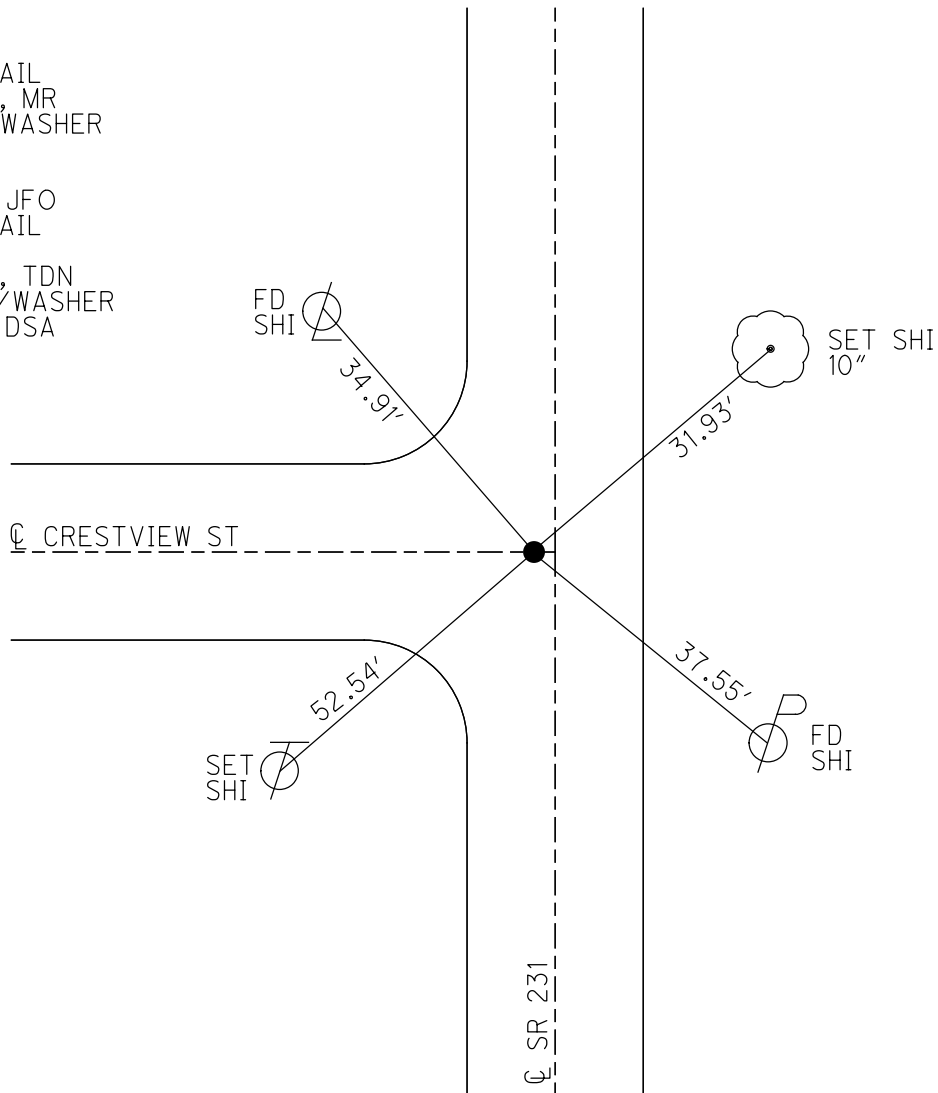
PERSONNEL _____ REFERENCE NO. 27 SHEET 32 OF 34
 NOTES RHOADES DATE 11/2/23 ROUTE SR 231
 H.C. AUBLE WEATHER CLOUDY COUNTY SENECA
 R.C. MILLER TEMP. 39° TOWNSHIP CLINTON
 DWG BY RHOADES PID 95780 SECTION 31
 T 2 N R 15 E

TYPE MONUMENT MAG/WASHER
 ON SURFACE - ~~BELOW~~ ON
 OFFSET Q PAVEMENT ON LT : RT
11.2' TO RT EDGE PAVEMENT
 STATION: 368+92



HORZ.DATUM: NAD83(2011) GEOID: NAVD88 2018
 GRID: NORTHING: 520592.556 EASTING: 1782509.700

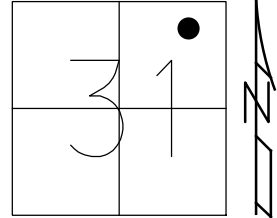
RECORD:
 FD P.K.NAIL
 6/22/04, MR
 FD P.K./WASHER
 REF27
 4/25/19
 8/16/19, JFO
 FD P.K.NAIL
 REF27
 4/20/23, TDN
 SET MAG/WASHER
 11/2/23, DSA



O.D.O.T. DISTRICT 2 SURVEY OFFICE (USE ONLY)

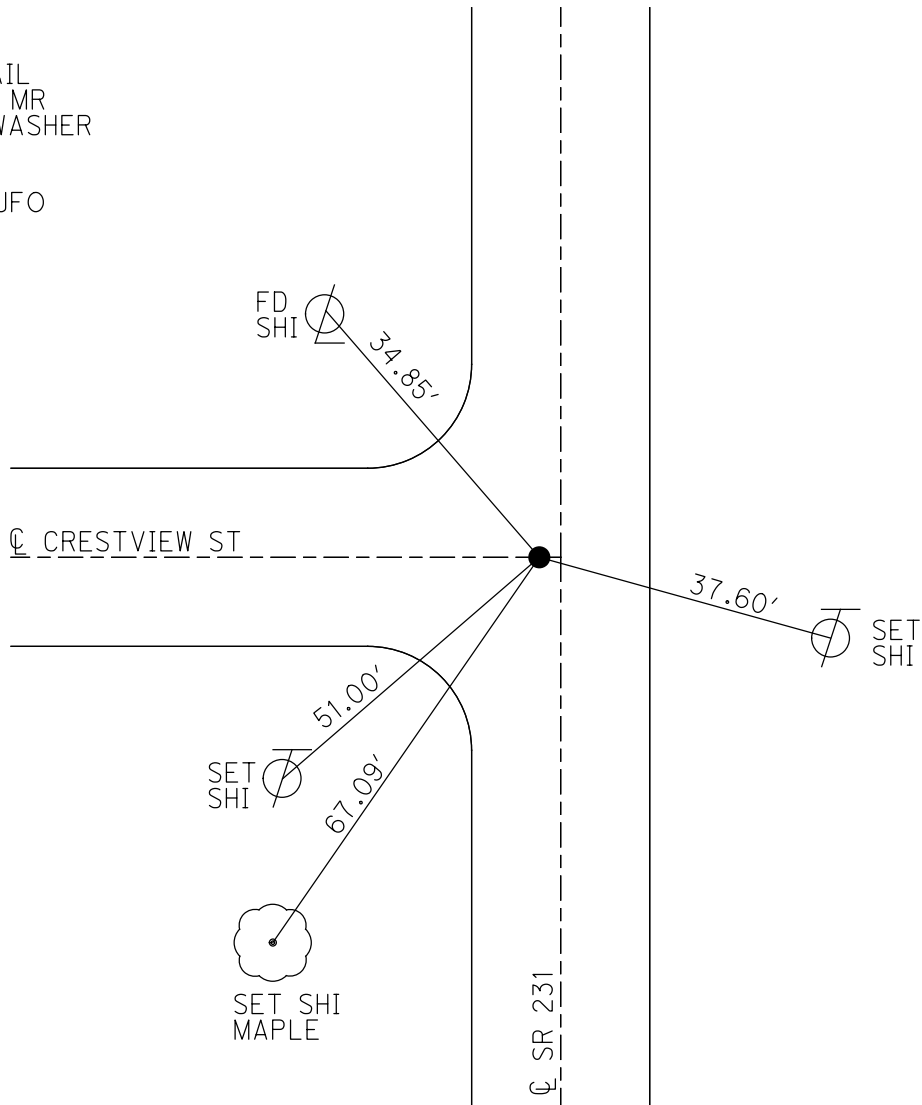
PERSONNEL _____ REFERENCE NO. 27 SHEET 31 OF 33
 NOTES BARNHISEL DATE 6/22/04 ROUTE SR 231
 H.C. CANTERBURY WEATHER SUN COUNTY SENECA
 R.C. ADKINS TEMP. 75° TOWNSHIP CLINTON
 DWG BY NIESE PID PT-SEN19 SECTION 31
 T 2 N R 15 E

TYPE MONUMENT P.K. NAIL
 ON SURFACE - ~~BELOW~~ ON
 OFFSET C PAVEMENT 1.4' LT : ~~RT~~
11.2' TO RT EDGE PAVEMENT
 STATION: 368+92



HORZ. DATUM: NAD83(2011) GEOID: 2012A
 GRID: NORTHING: 520592.556 EASTING: 1782509.700

RECORD:
 FD P.K.NAIL
 6/22/04, MR
 FD P.K./WASHER
 REF27
 4/25/19
 8/16/19, JFO



O.D.O.T. DISTRICT 2 SURVEY OFFICE

PERSONNEL _____

REFERENCE NO. _____

SHEET _____ OF _____

NOTES BARNHISEL

H.C. CANTERBURY

R.C. ADKINS

DATE 6/22/04

WEATHER SUN

TEMP. +75°

ROUTE S.R. 231

COUNTY SENECA

TOWNSHIP CLINTON

SECTION 31

T 2 N R 15 E

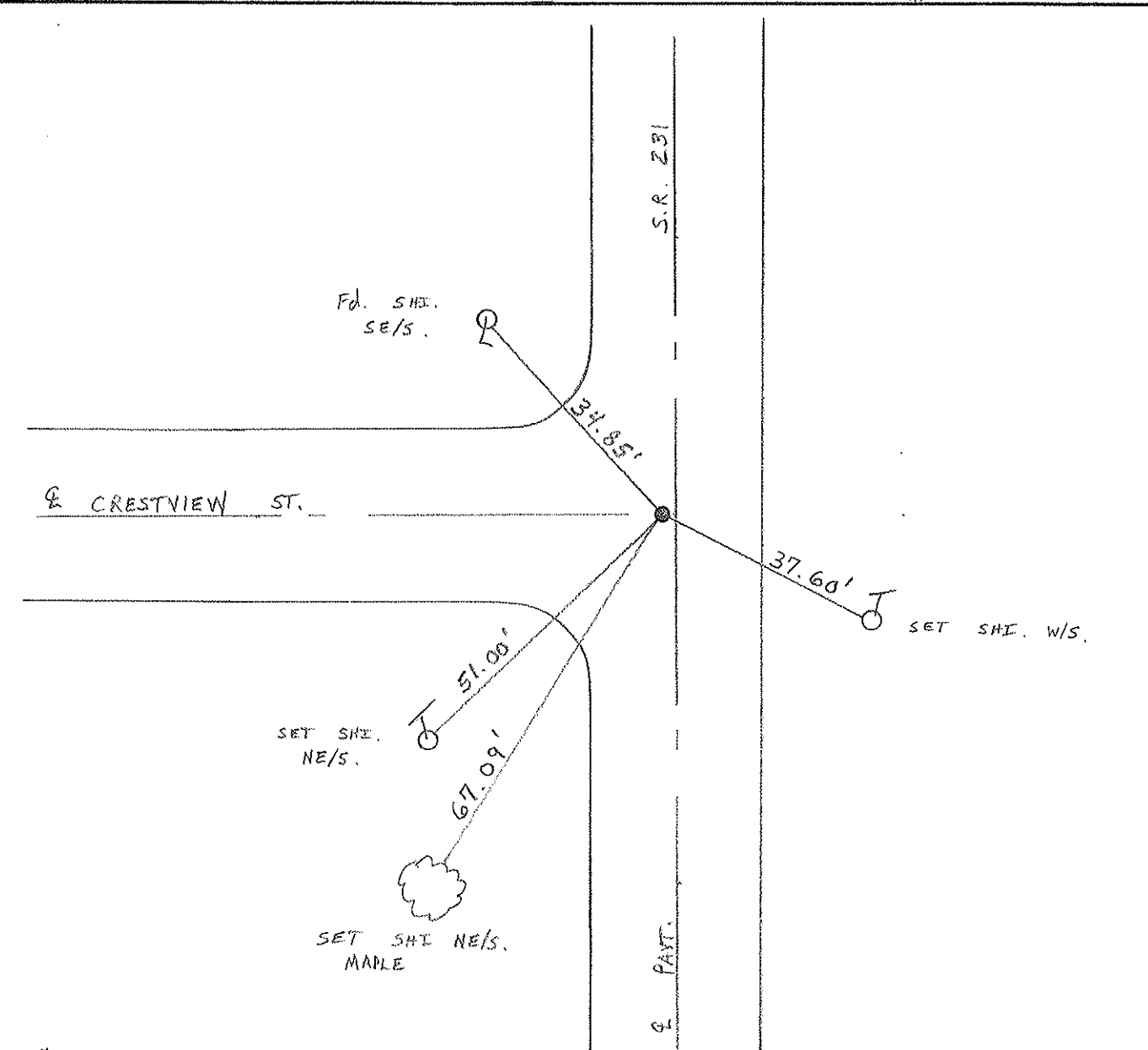
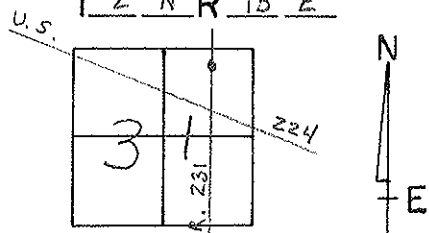
TYPE MONUMENT Fd. P.K. NAIL

ON SURFACE - BELOW SURFACE

LEFT - ☉ PAV'T. - RIGHT 1.4' LT ☉

11.2' TO RT EDGE PAVEMENT

S.L.M. 368 + 92



OLD # 8687

PERSONNEL TITLE PERSONNEL TITLE

Schneider
Masset
Barbour
Potts

Geyman

COUNTY Seneca

DATE 7-17-69

S. R. 231

WEATHER Fair

SEC. 6.47-7.26

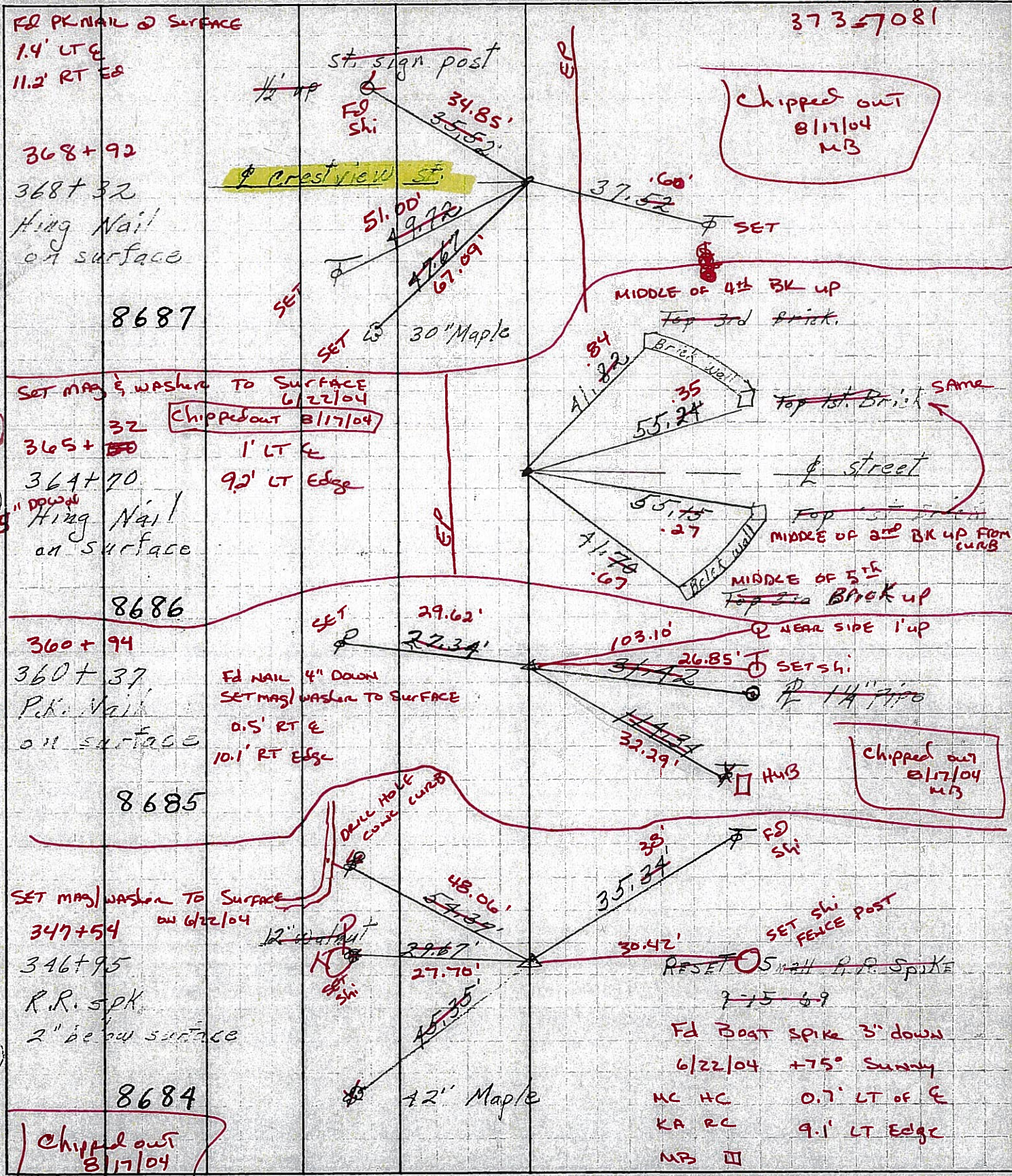
TEMP 80°

DESCRIPTION

Ties for Control Points

JOB NO.

TIFFIN Garage



27

26

25

24

37357081

Chipped out
8/17/04
MB

Chipped out 8/17/04

Chipped out
8/17/04
MB

FD PK NAIL @ SURFACE
1.4' LT E
11.2' RT E

368+92
368+32
Hing Nail
on surface

8687

SET mag & washer TO SURFACE
6/22/04
Chipped out 8/17/04

365+30
364+70
"down"
Hing Nail
on surface

8686

360+94
360+37
PK. Nail
on surface

8685

SET mag/washer TO SURFACE
on 6/22/04

347+54
346+95
R.R. spk
2" below surface

8684

Chipped out
8/17/04
MB

st. sign post
1/2 up
F.D. Shi
34.85'
35.52'
51.00'
49.72'
47.67'
67.99'
30" Maple

EP

EP

Brick wall
41.84
55.24
55.75
41.74
55.75
.27
MIDDLE OF 4th BK UP
Top 3rd brick.
Top 1st. Brick SAME
MIDDLE OF 3rd BK UP FROM CURB
MIDDLE OF 5th BK UP
Top 2nd Brick up

street
Top 1st. Brick SAME
MIDDLE OF 3rd BK UP FROM CURB

29.62'
22.34'
103.10'
26.85'
31.42'
32.29'
32.29'
HMB
HUB

NEAR SIDE 1' UP
SET Shi
1 1/4" Pipe

DEUCE HOLE
CONCRETE CURBS
48.06'
54.39'
29.67'
27.70'
45.35'
12" Maple

35.34'
30.42'
30.42'
SET Shi
FENCE POST
RESET 5" nail R.P. SPIKE
7-15-69

F.D. BOAT SPIKE 3" DOWN
6/22/04 +75° Sunny
MC HC 0.7' LT OF E
KA RC 9.1' LT Edge
MB

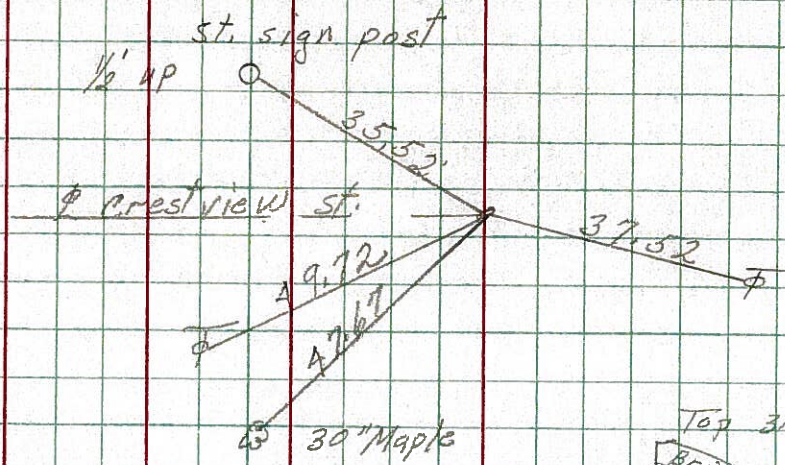
PERSONNEL	TITLE	PERSONNEL	TITLE	COUNTY	DATE
Schneider		Geyman		Seneca	4-17-69
Mosser				S. R.	231
Barbour				SEC.	6.47-7.26
Potts				WEATHER	Fair
				TEMP.	80°

DESCRIPTION Ties for Control Points JOB NO. _____

27

368+32
Hing Nail
on surface

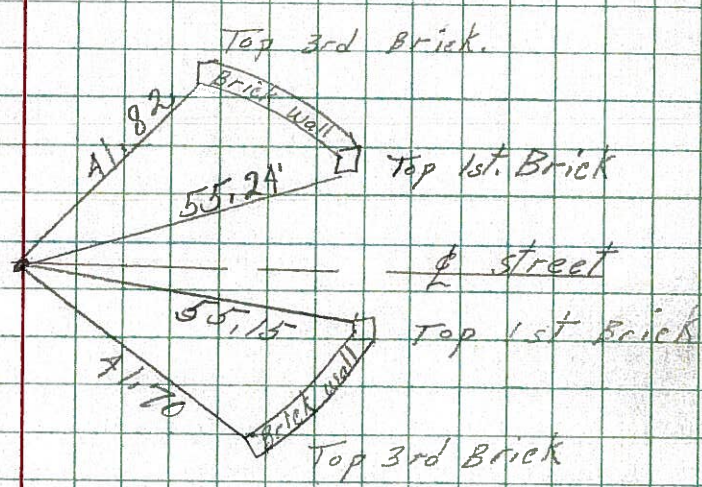
8687



26

364+70
Hing Nail
on surface

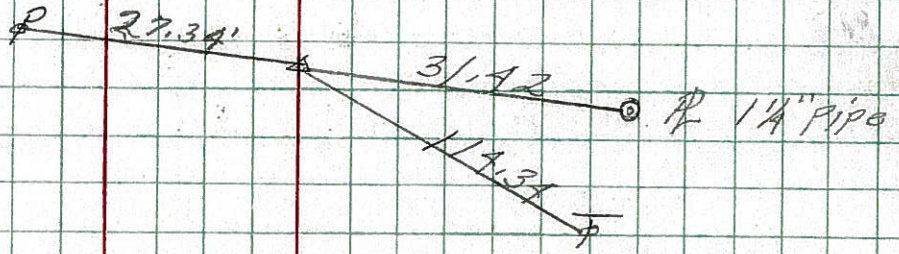
8686



25

360+37
P.K. Nail
on surface

8685



24

346+95
R.R. spk.
3\"/>

8684

