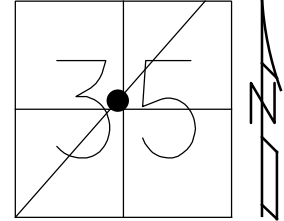


O.D.O.T. DISTRICT 2 SURVEY OFFICE (USE ONLY)

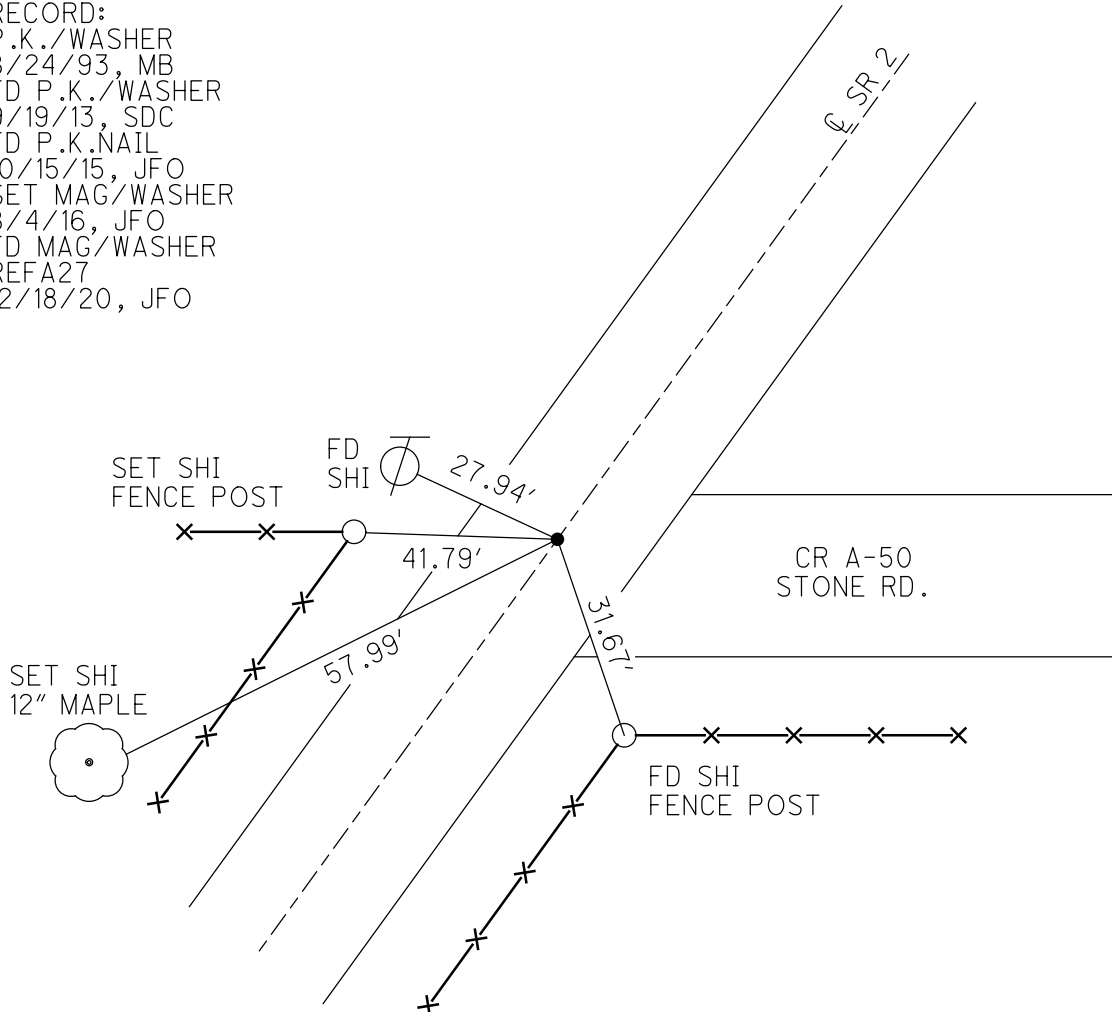
PERSONNEL	REFERENCE NO. <u>27 A</u>	SHEET <u>6</u> OF <u>8</u>
NOTES <u>RHOADES</u>	DATE <u>12/15/20</u>	ROUTE <u>SR 2</u>
H.C. <u>O'DONNELL</u>	WEATHER <u>FAIR</u>	COUNTY <u>WILLIAMS</u>
R.C. <u>AUBLE</u>	TEMP. <u>25°</u>	TOWNSHIP <u>CENTER</u>
		SECTION <u>35</u>
DWG BY <u>NIESE</u>	PID <u>NO PID</u>	T <u>6</u> N R <u>2</u> E

TYPE MONUMENT MAG/WASHER  
 ON SURFACE - ~~BELOW~~ ON  
 OFFSET 0.6' LT : RT  
11.2' TO LT EDGE PAVEMENT  
 STATION: 33+30.12



HORZ.DATUM: NAD83 2011      GEOID: NAVD88 2018  
 GRID: NORTHING: 650895.588      EASTING: 1391399.053

RECORD:  
 P.K./WASHER  
 8/24/93, MB  
 FD P.K./WASHER  
 9/19/13, SDC  
 FD P.K.NAIL  
 10/15/15, JFO  
 SET MAG/WASHER  
 8/4/16, JFO  
 FD MAG/WASHER  
 REFA27  
 12/18/20, JFO

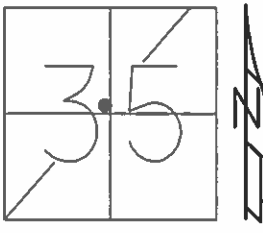


O.D.O.T. DISTRICT 2 SURVEY OFFICE (USE ONLY)

PERSONNEL \_\_\_\_\_ REFERENCE NO. 27 A SHEET 6 OF 8

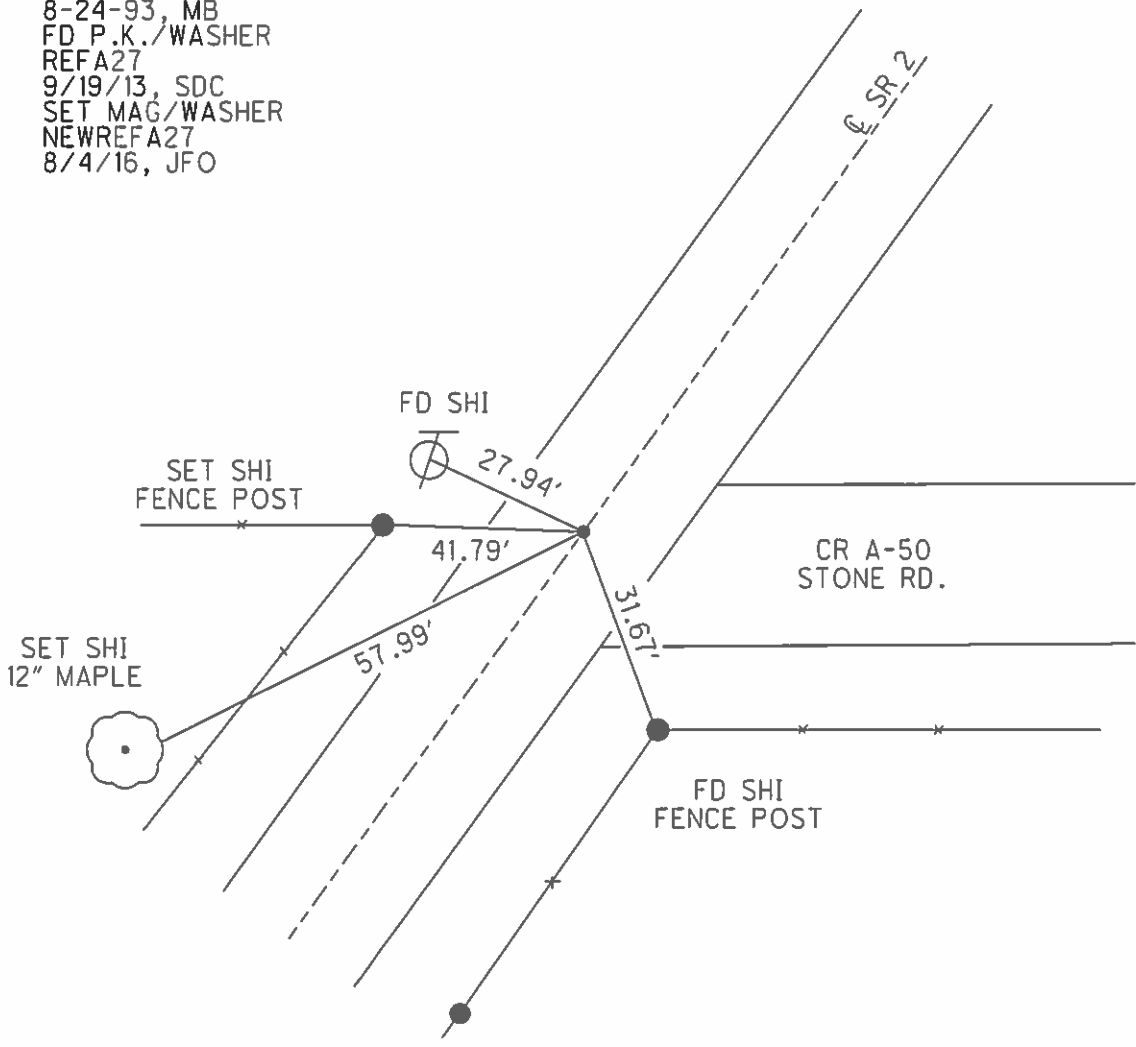
NOTES	<u>RHOADES</u>	DATE	<u>10-20-15</u>	ROUTE	<u>SR 2</u>
H.C.	<u>O'DONNELL</u>	WEATHER	<u>CLEAR</u>	COUNTY	<u>WILLIAMS</u>
R.C.	<u>HOMAN</u>	TEMP.	<u>50°</u>	TOWNSHIP	<u>CENTER</u>
				SECTION	<u>35</u>
				T	<u>6 N</u>
				R	<u>2 E</u>

TYPE MONUMENT P.K.NAIL  
 ON SURFACE - ~~BELOW~~ ON \_\_\_\_\_  
 LEFT - ☉ PAV'T - ~~RIGHT~~ 0.6'  
11.2' TO LT EDGE PAVEMENT  
 S.L.M. 33+30.12



Grid: Northing: 650895.567 Easting: 1391399.062

RECORD:  
 P.K./WASHER  
 8-24-93, MB  
 FD P.K./WASHER  
 REFA27  
 9/19/13, SDC  
 SET MAG/WASHER  
 NEWREFA27  
 8/4/16, JFO

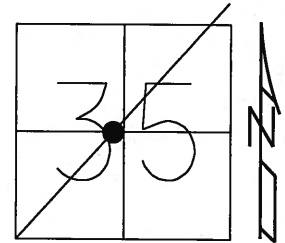


O.D.O.T. DISTRICT 2 SURVEY OFFICE (USE ONLY)

PERSONNEL \_\_\_\_\_ REFERENCE NO. 27 A SHEET 1 OF 2

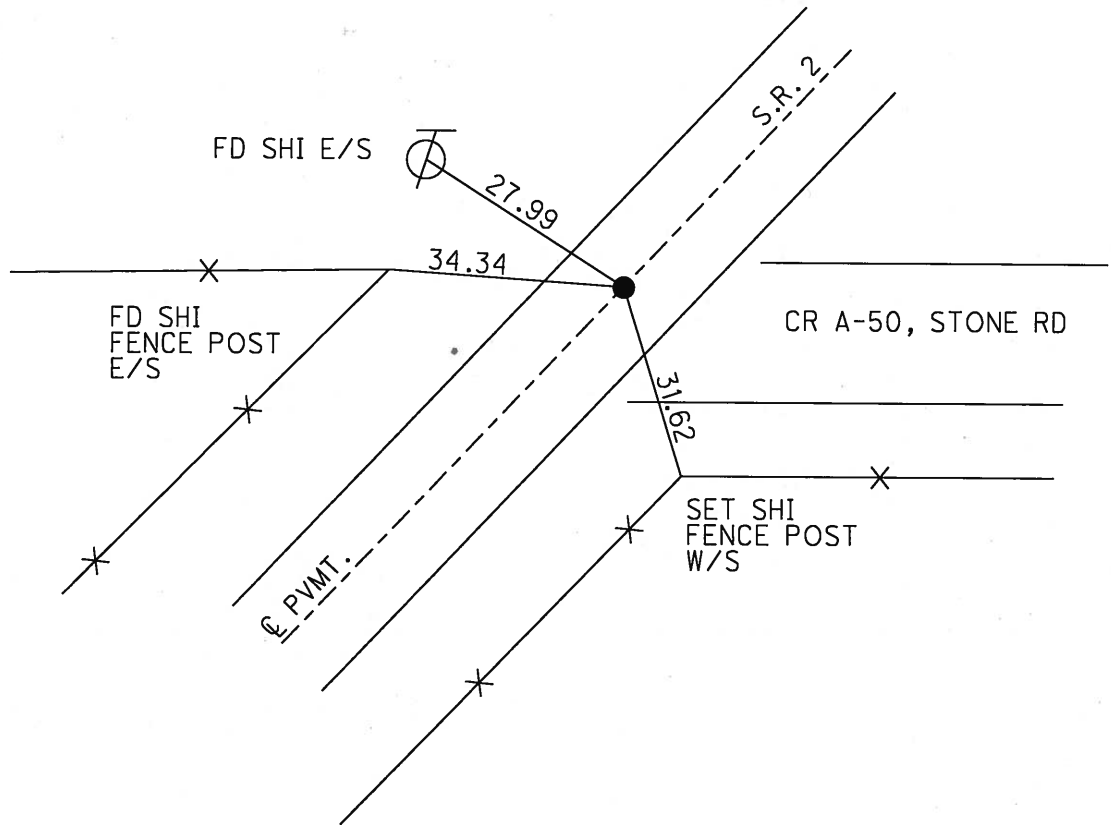
NOTES CANTERBURY DATE 11-29-2012 ROUTE SR 2  
 H.C. HUSS WEATHER CLOUDY COUNTY WILLIAMS  
 R.C. CANTERBURY TEMP. 37° TOWNSHIP CENTER  
 SECTION 35  
 T 6 N R 2 E

TYPE MONUMENT \_\_\_\_\_ R.R. SPIKE \_\_\_\_\_  
 ON SURFACE - ~~BELOW~~ ON \_\_\_\_\_  
~~LEFT~~ - ☉ PAV'T - ~~RIGHT~~ ON \_\_\_\_\_  
11.2 TO LT EDGE PAVEMENT  
 S.L.M. 33+47.73



Grid: Northing: 650895.450 Easting: 1391398.988

- FD RR SPK  
6-10-93
- RESET PK/WASHER  
8-24-93
- FD. PK AT SURFACE  
8-8-12 M.C.
- GPS REFA27  
8-16-12



# O.D.O.T. DISTRICT 2 SURVEY OFFICE

PERSONNEL

REFERENCE NO. 27-A SHEET      OF     

NOTES Van Dusen

H.C. Kusz

R.C. BARNHISEL

OTTO

DATE 6-10-93

WEATHER Cloudy

TEMP. +65°

ROUTE 2

COUNTY WILLIAMS

TOWNSHIP CENTER

SECTION 35

T 6 N R 2 E

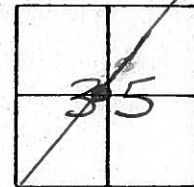
TYPE MONUMENT RR SPK

ON SURFACE - ~~BELOW~~ yes

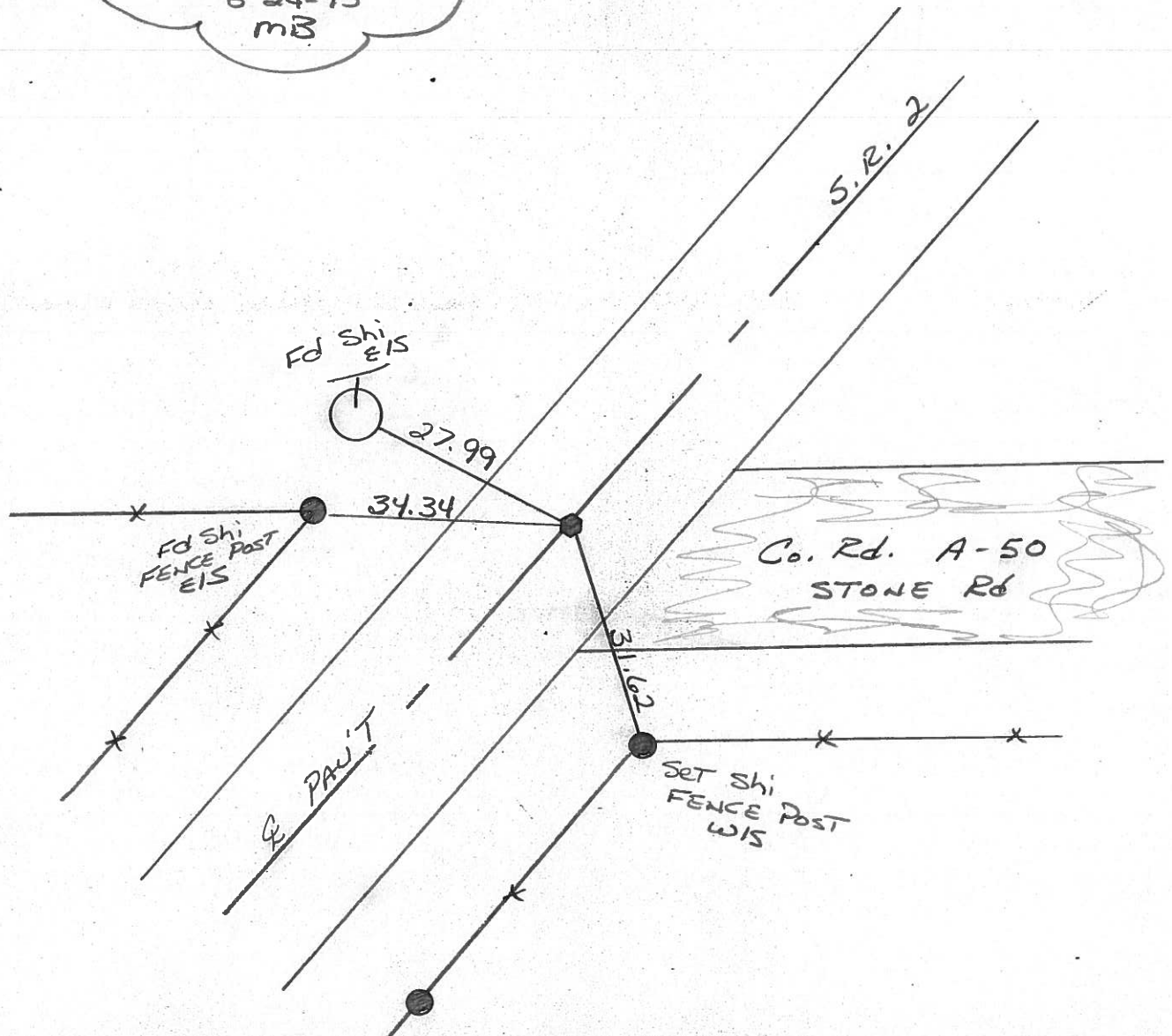
~~LEFT~~ - PAV'T. - ~~RIGHT~~ yes

11.2 TO LT EDGE PAVEMENT

S.L.M. 33+40



Reset PK & WASHER  
8-24-93  
MB



County Williams S.R. #20

Date 27 July 84

Township Center

Weather Cloudy

Section 35

Temp. 70°

T N, R E

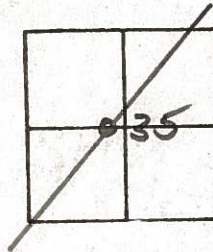
Personnel L. Stone

P. Newsen

R. Michalak

D. Curtis

27-A

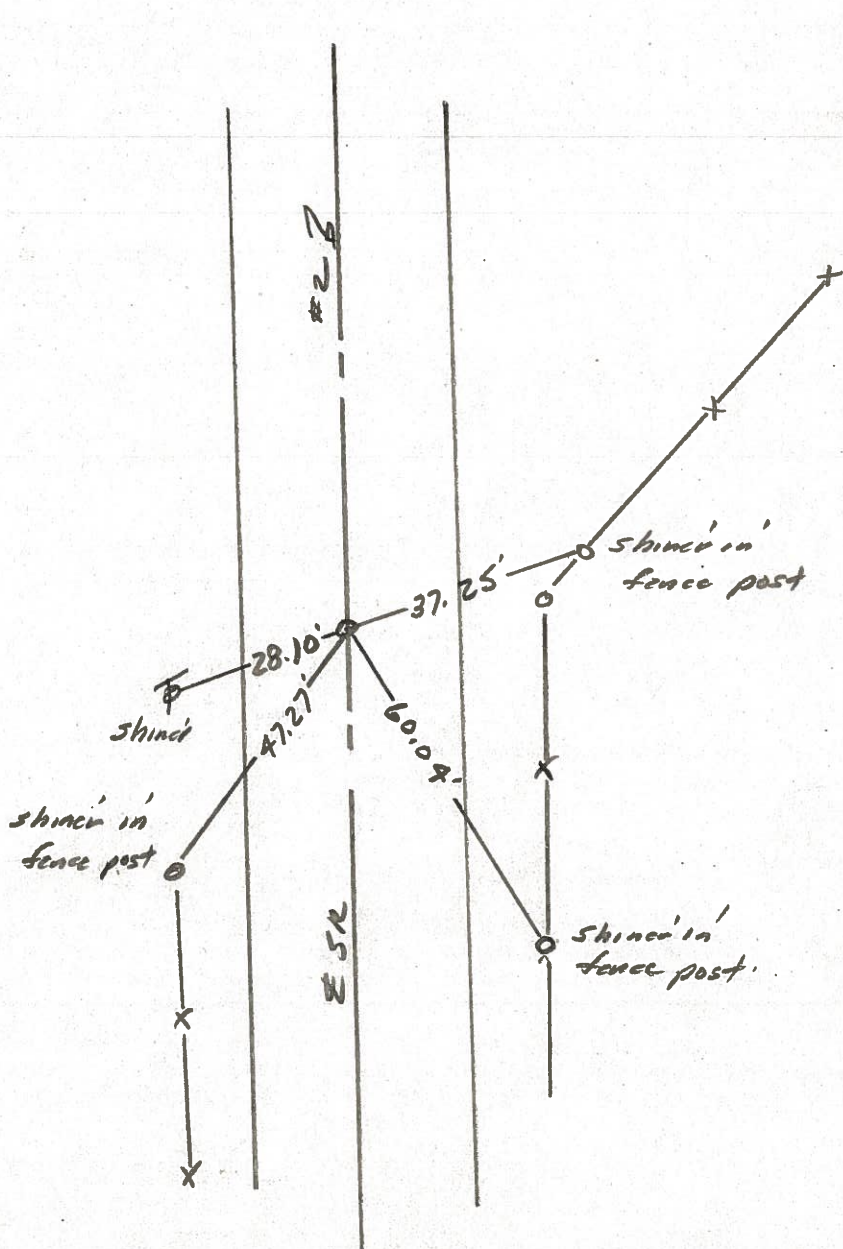


SLM STA. 33+48

REF. NO. 27-A

Fd. RR Spk. To Surface  
10.8' to E. edge put,  
11.2' to W. edge put.

Fd. R.R. Spk. .2" DEEP -  
12-10-84





County WILLIAMS S.R. 2

Date 6-4-79

Township CENTER

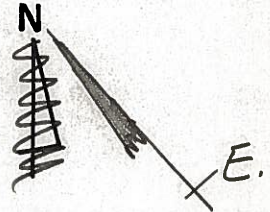
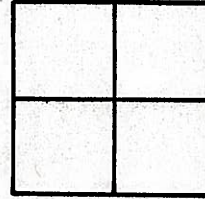
Weather PT. CLOUDY

Section \_\_\_\_\_

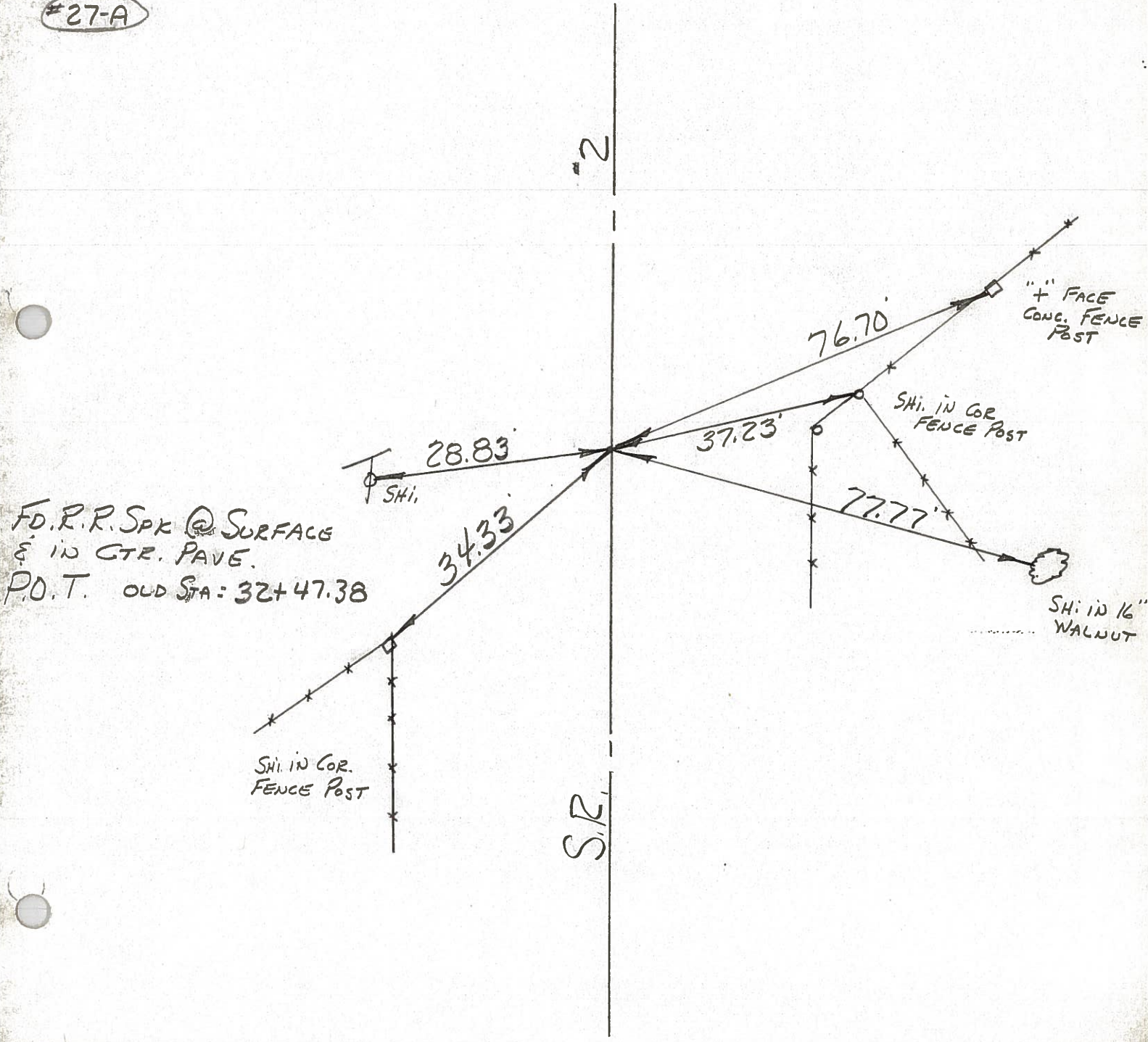
Temp. +68°

T N, R E

Personnel BURNSIDE  
SMITH  
BOWERS  
KNAPE  
STREAD



#27-A



FD.R.R. SPK @ SURFACE  
E IN CTR. PAVE.  
P.O.T. OLD STA: 32+47.38

SHI. IN COR.  
FENCE POST

16" FACE  
CONC. FENCE  
POST

SHI. IN COR.  
FENCE POST

SHI. IN 16"  
WALNUT

S.R.



PERSONNEL TITLE PERSONNEL TITLE  
 Louys \_\_\_\_\_  
 Pessefall \_\_\_\_\_  
 Wise \_\_\_\_\_  
 Krahn \_\_\_\_\_

COUNTY Wi. DATE 7-15-58  
 S. R. 2 WEATHER Cloudy  
 SEC. To. Bryan TEMP. 75°

DESCRIPTION Re-check of Witnesses JOB NO. \_\_\_\_\_

