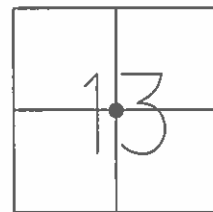


O.D.O.T. DISTRICT 2 SURVEY OFFICE (USE ONLY)

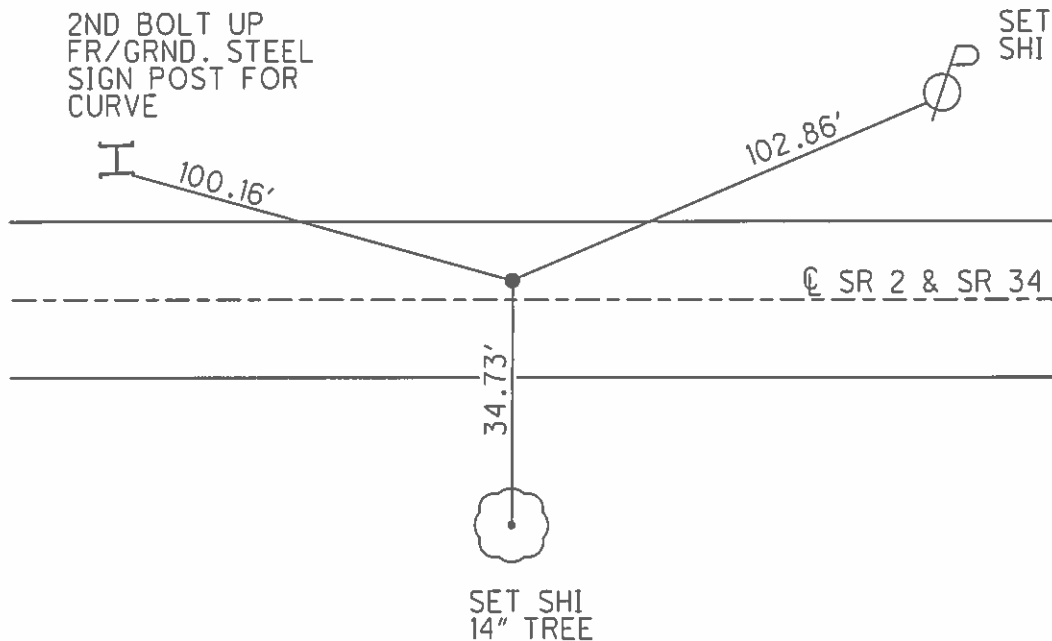
PERSONNEL _____ REFERENCE NO. 46 SHEET 10 OF 17
 NOTES HOMAN DATE 2/6/2013 ROUTE SR 2
 H.C. ROUSOS WEATHER SUNNY COUNTY WILLIAMS
 R.C. HOMAN TEMP. 28° TOWNSHIP PULASKI
 SECTION 13
 T 6 N R 3 E

TYPE MONUMENT P.K.NAIL
 ON SURFACE - ~~BELOW~~ ON _____
 LEFT - Q PAV'T - ~~RIGHT~~ 1.2'
12.3' TO RT EDGE PAVEMENT
 S.L.M. 547+87
 GRID: NORTHING: 666031.672 EASTING: 1429141.518



RECORD:
 SET MAG/WASHER
 2/6/13, DCH

NOTE:
 SR 34 REF43



O.D.O.T. DISTRICT 2 SURVEY OFFICE

PERSONNEL

REFERENCE NO. 46

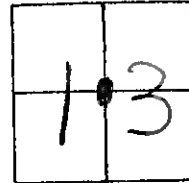
SHEET 18 OF 24

NOTES LOHRKE
 H.C. CANTERBURY
 R.C. HERMILLER
Vogel

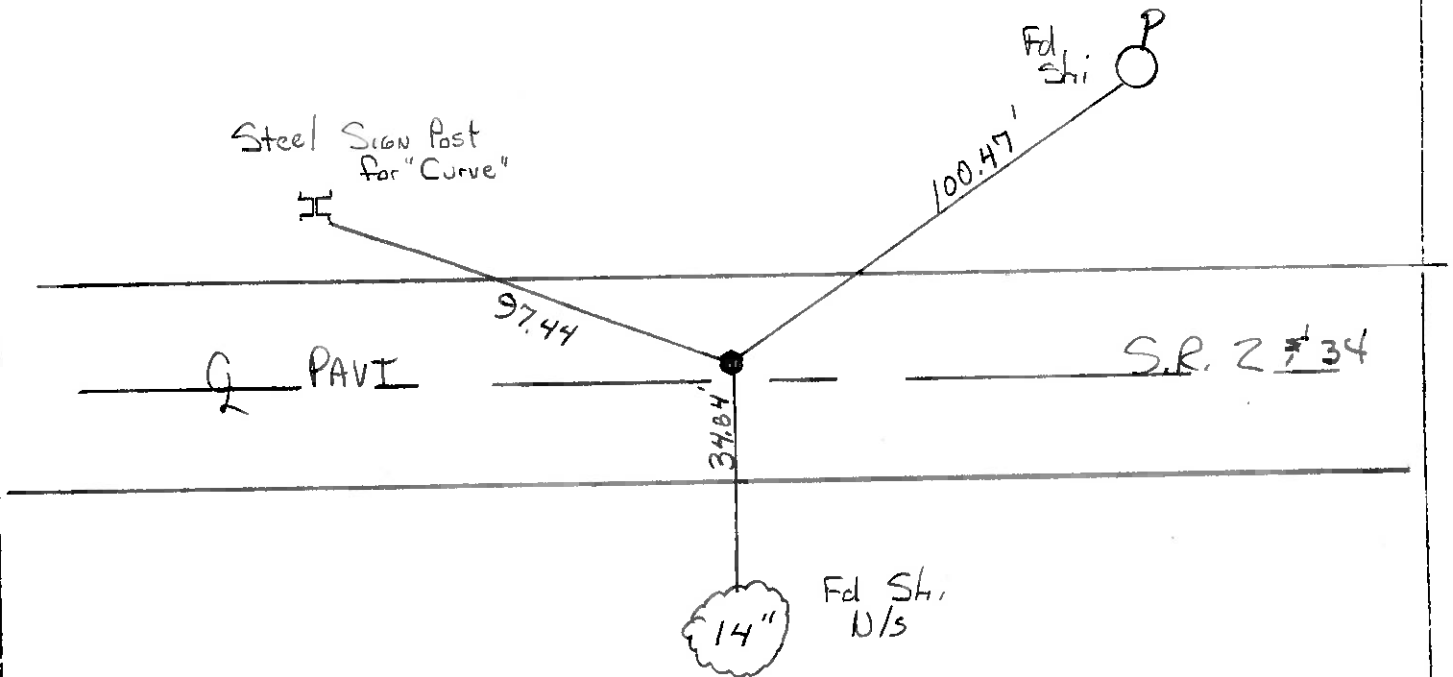
DATE 5-3-94
 WEATHER Nice
 TEMP. +78

ROUTE SR2
 COUNTY Williams
 TOWNSHIP Pulaski
 SECTION 13
T 6 N R 3 E

TYPE MONUMENT R.R. Spike
~~ON SURFACE~~ - BELOW 2 1/2"
 LEFT - C PAV'T. - ~~RIGHT~~ 1.2'
12.3 TO RT EDGE PAVEMENT
 S.L.M. 547+87



APPEARS to Be Q Sec 13



County Williams S.R. #2

Date 6 Aug. 84

Township Poleski

Weather Hazy

Section 13

Temp. 77°

T N, R E

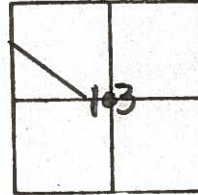
Personnel L. Stone

P. Nesser

R. Michalak

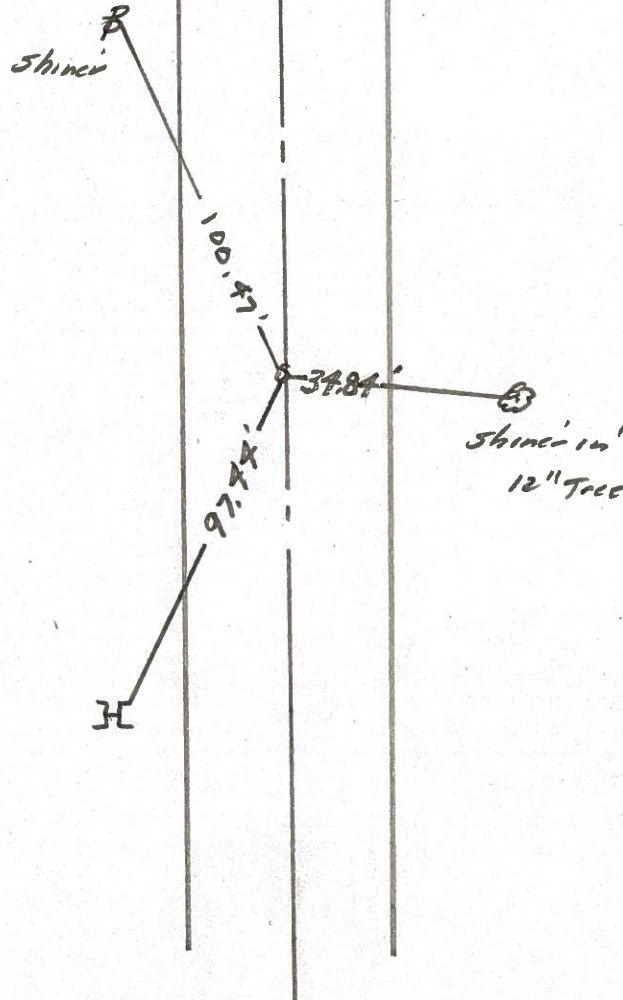
D. Curtis

46



SLM STA 482 + 68

REF. NO. 46



Fd. RR Spk. To Surface
 Looks To Oc & Sec. 13
 9.7' to N. edge put,
 11.2' to S. edge put.

Fd. R.R. Spk. 3" deep
 7-2-85