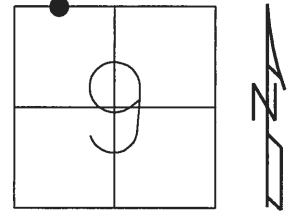


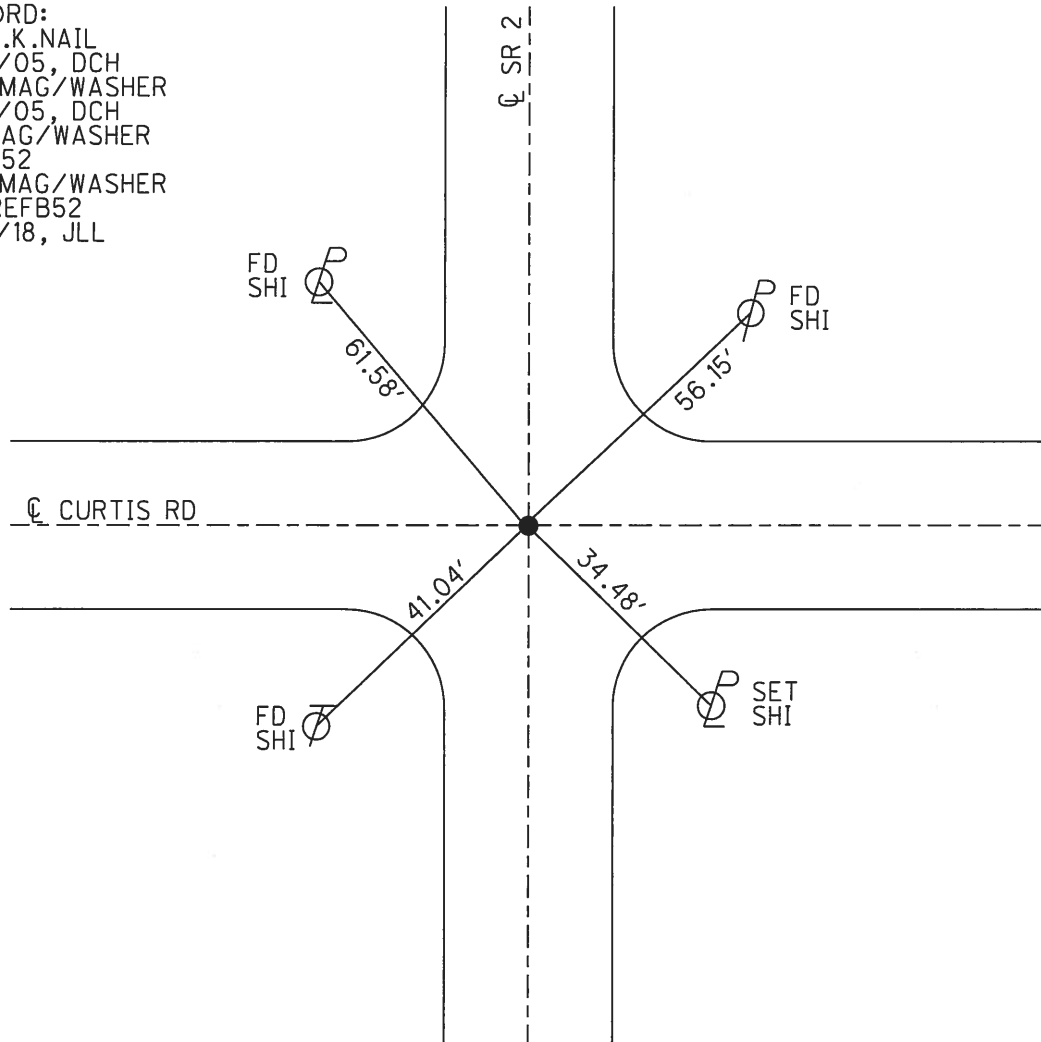
O.D.O.T. DISTRICT 2 SURVEY OFFICE (USE ONLY)

PERSONNEL \_\_\_\_\_ REFERENCE NO. 52 B SHEET 6 OF 22  
 NOTES LEU DATE 5/22/2017 ROUTE SR 2  
 H.C. HOMAN WEATHER SUNNY COUNTY WILLIAMS  
 R.C. LEU TEMP. 53°F TOWNSHIP SPRINGFIELD  
 SECTION 9  
 T 6 N R 4 E

TYPE MONUMENT MAG/WASHER  
 ON SURFACE - ~~BELOW~~ ON  
 LEFT - ☉ PAV'T - RIGHT ON  
- TO - EDGE PAVEMENT  
 S.L.M. 784+21.38  
 GRID: NORTHING: 673663.395 EASTING: 1444155.305



RECORD:  
 FD P.K.NAIL  
 4/14/05, DCH  
 SET MAG/WASHER  
 6/14/05, DCH  
 FD MAG/WASHER  
 REFB52  
 SET MAG/WASHER  
 NEWREFB52  
 4/17/18, JLL

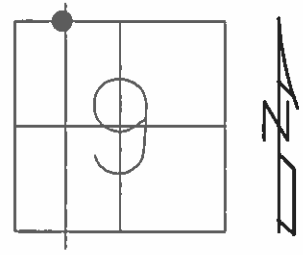


**O.D.O.T. DISTRICT 2 SURVEY OFFICE (USE ONLY)**

PERSONNEL \_\_\_\_\_ REFERENCE NO. 52 B SHEET 5 OF 21

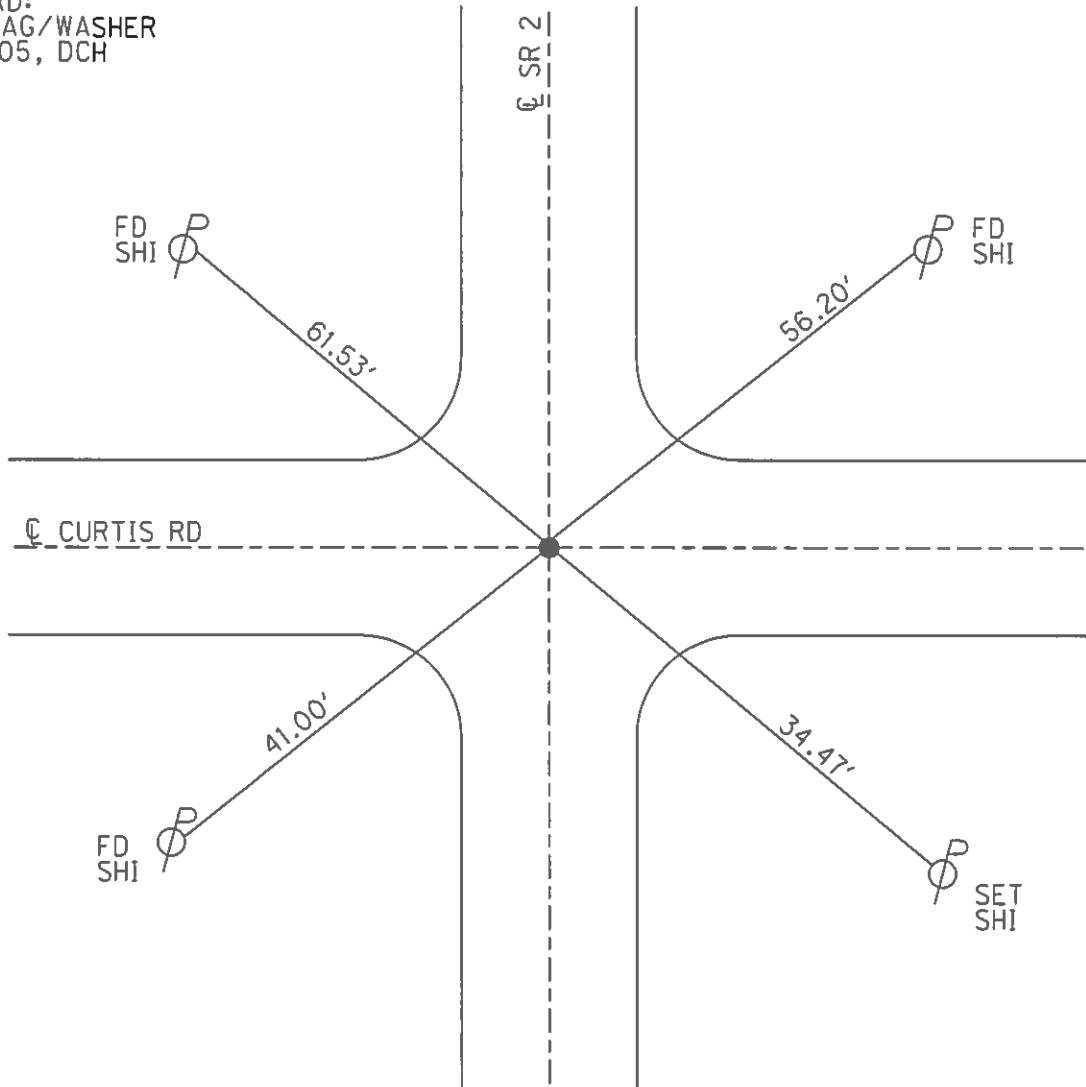
NOTES HOMAN DATE 4/14/05 ROUTE SR 2  
 H.C. BARNHISEL WEATHER SUNNY COUNTY WILLIAMS  
 R.C. KOLEMAINEN TEMP. 55° TOWNSHIP SPRINGFIELD  
 \_\_\_\_\_ SECTION 9  
 \_\_\_\_\_ T 6 N R 4 E

TYPE MONUMENT P.K.NAIL  
 ON SURFACE - ~~BELOW~~ ON \_\_\_\_\_  
 LEFT - ☉ PAV'T - RIGHT ON \_\_\_\_\_  
 \_\_\_\_\_ TO \_\_\_\_\_ EDGE PAVEMENT  
 S.L.M. 784+39



GRID: NORTHING: \_\_\_\_\_ EASTING: \_\_\_\_\_

RECORD:  
 SET MAG/WASHER  
 6/14/05, DCH



# O.D.O.T. DISTRICT 2 SURVEY OFFICE

PERSONNEL \_\_\_\_\_

REFERENCE NO. 52-B SHEET 4 OF \_\_\_\_\_

NOTES D. CURTIS

H.C. J. HOUSEHOLDER

R.C. \_\_\_\_\_

DATE 10-13-88

WEATHER MILD

TEMP. 55°

ROUTE S.R. #2

COUNTY WILLIAMS

TOWNSHIP SPRINGFIELD

SECTION 9

T \_\_\_\_\_ R \_\_\_\_\_

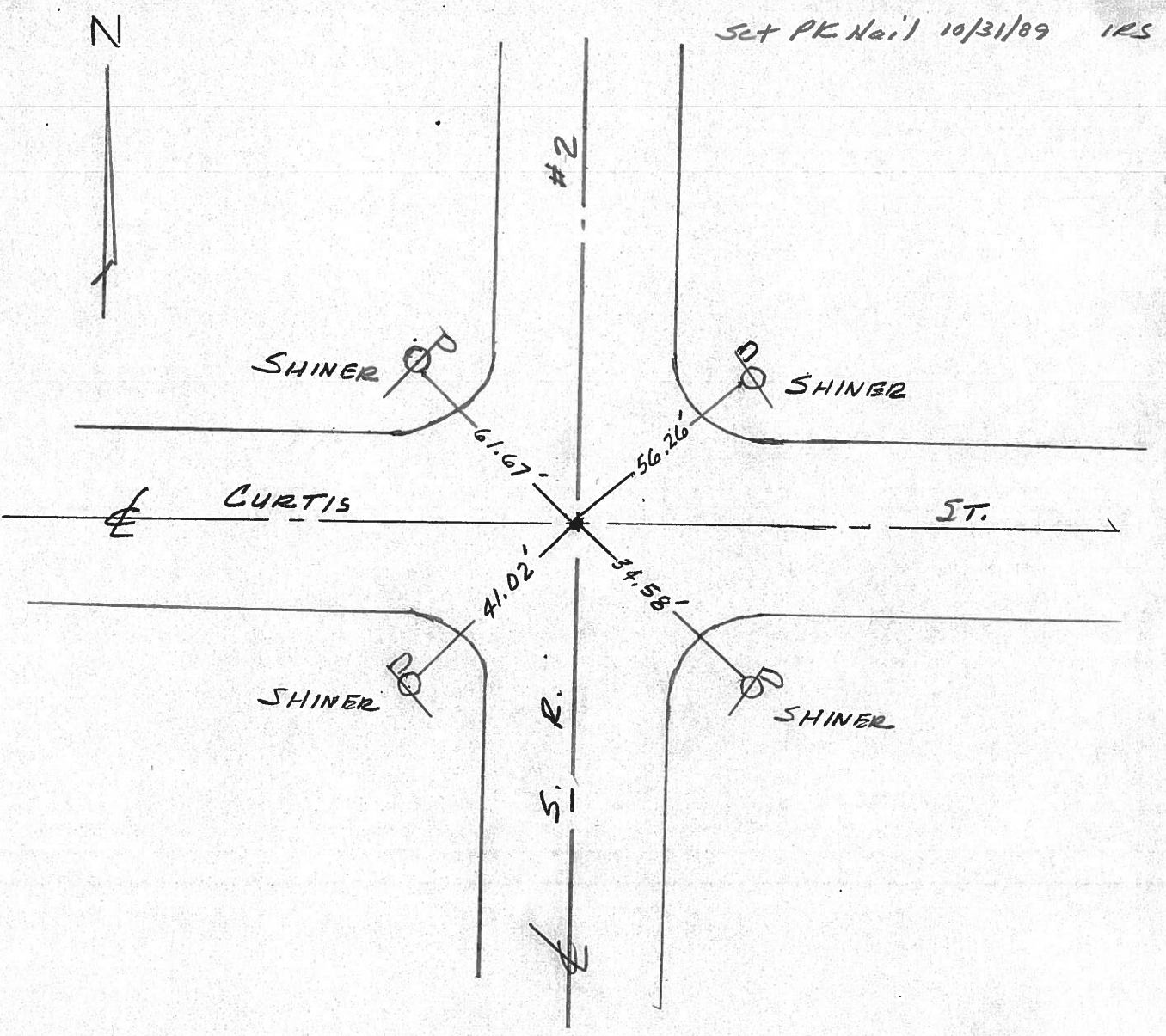
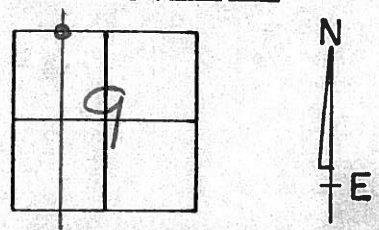
TYPE MONUMENT P.K. NAIL

ON SURFACE - ~~BELOW~~ ON SURFACE

LEFT - ~~C~~ PAV'T. - RIGHT E PAV'T

TO \_\_\_\_\_ EDGE PAVEMENT

S.L.M. 719 + 26



O.D.O.T. DISTRICT 2 SURVEY OFFICE

SHEET 4 OF

County Williams S.R. 2

Date 12 Aug. 82

Township Springfield

Weather Fair

Section 9

Temp. 73°

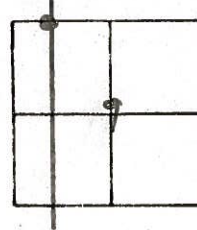
T\_N, R\_E

Personnel I. Stone

P. Neuser

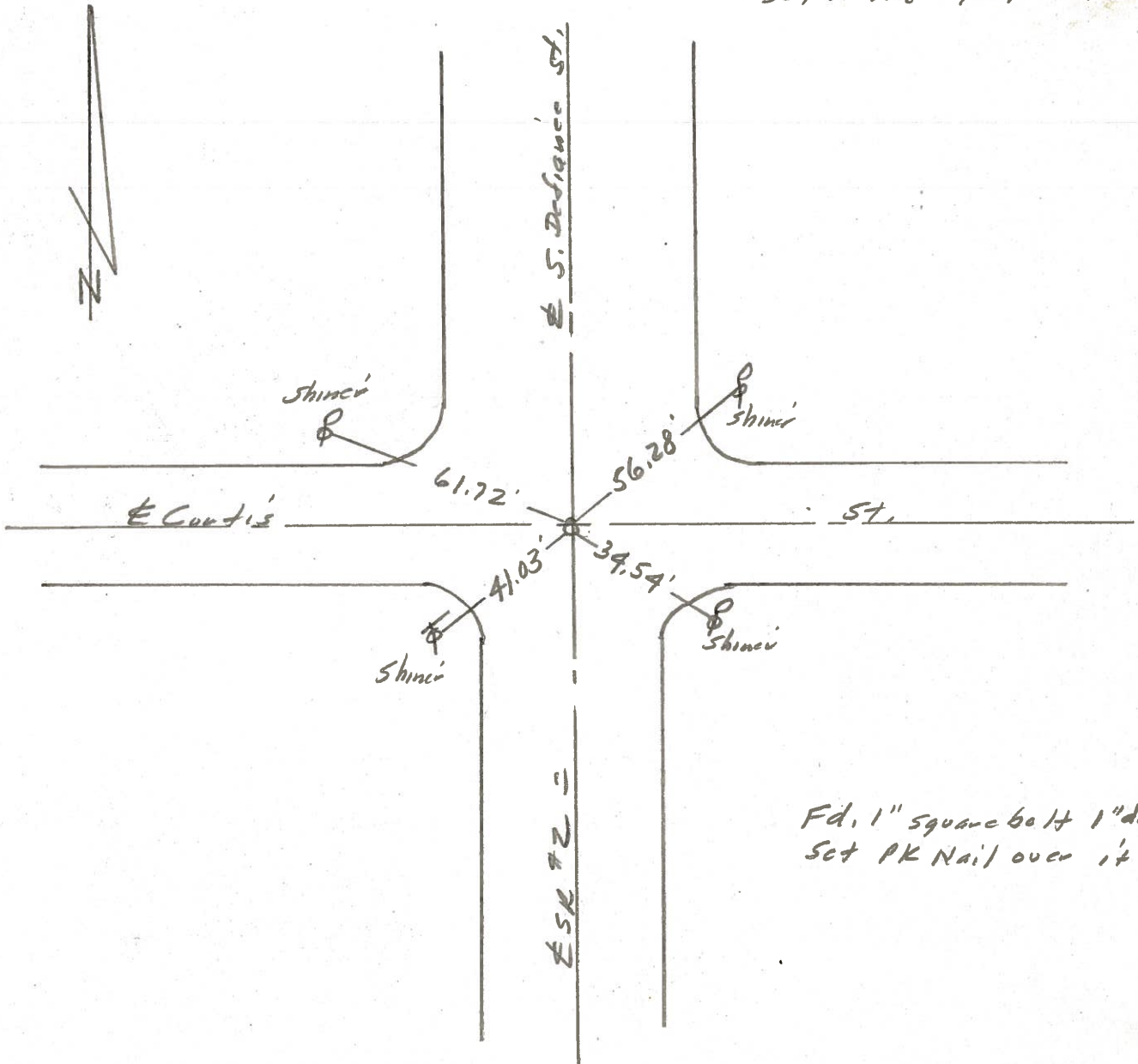
R. Michalale

D. Curtis



REF. NO. 52-B

Set PK Nail 1/26/83 IRS



PERSONNEL TITLE PERSONNEL TITLE  
Pessefall \_\_\_\_\_

COUNTY Williams DATE 11-30-60

S. R. #2 Stryker WEATHER Snow

SEC. \_\_\_\_\_ TEMP. 30°

DESCRIPTION Stryker Village

JOB NO. \_\_\_\_\_

LEFT CENTER LINE RIGHT

