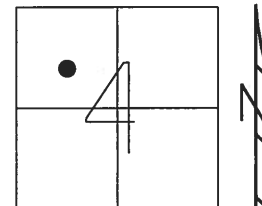


O.D.O.T. DISTRICT 2 SURVEY OFFICE (USE ONLY)

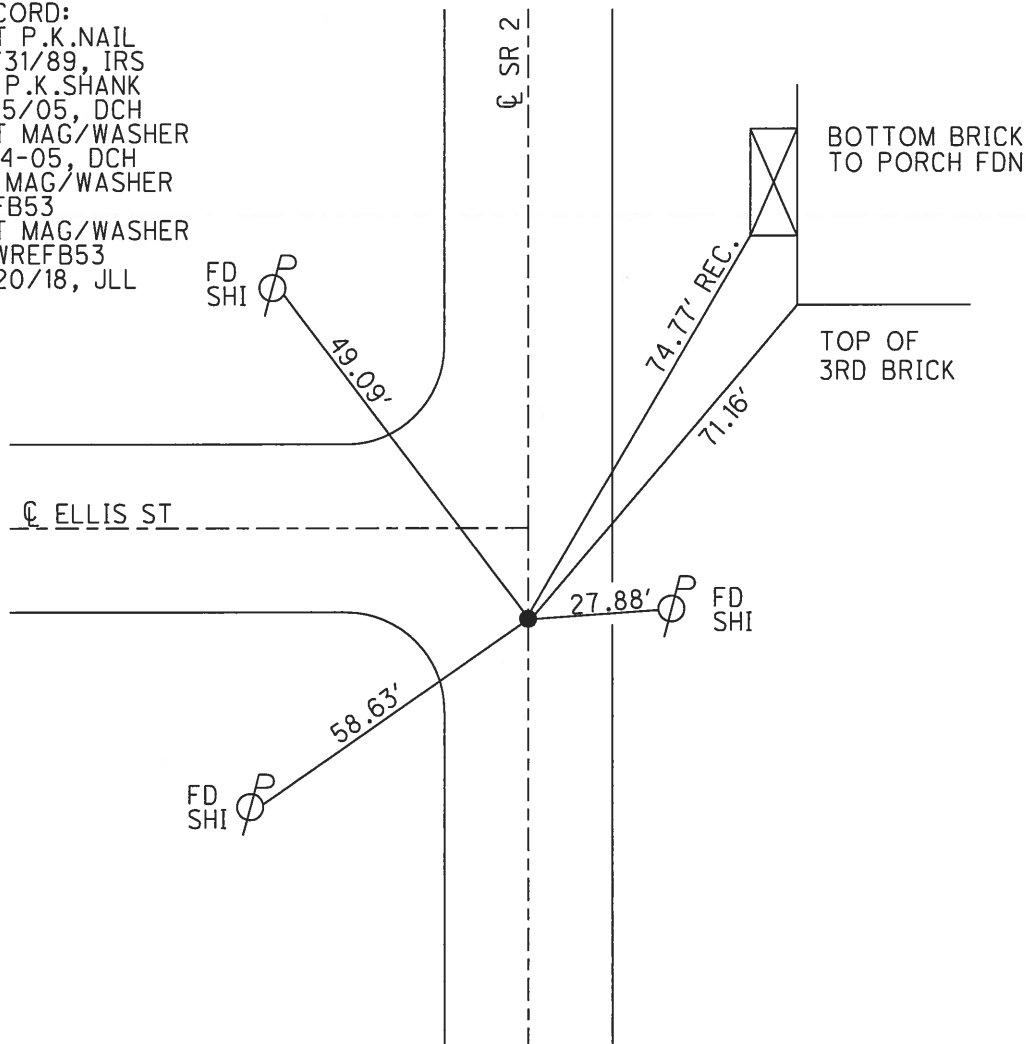
PERSONNEL _____ REFERENCE NO. 53 B SHEET 16 OF 22
 NOTES LEU DATE 5/22/17 ROUTE SR 2
 H.C. HOMAN WEATHER SUNNY COUNTY WILLIAMS
 R.C. LEU TEMP. 60°F TOWNSHIP SPRINGFIELD
 SECTION 4
T 6 N R 4 E

TYPE MONUMENT MAG/WASHER
 ON SURFACE - ~~BELOW~~ ON
 LEFT - ℄ PAV'T - ~~RIGHT~~ 0.2'
13.2' TO RT EDGE PAVEMENT
 S.L.M. 824+06.86



GRID: NORTHING: 677631.041 EASTING: 1444206.685

RECORD:
 SET P.K.NAIL
 10/31/89, IRS
 FD P.K.SHANK
 4/15/05, DCH
 SET MAG/WASHER
 6-14-05, DCH
 FD MAG/WASHER
 REFB53
 SET MAG/WASHER
 NEWREFB53
 4/20/18, JLL

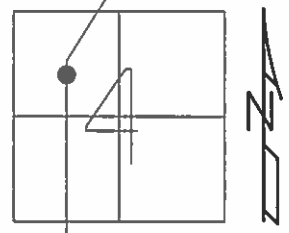


O.D.O.T. DISTRICT 2 SURVEY OFFICE (USE ONLY)

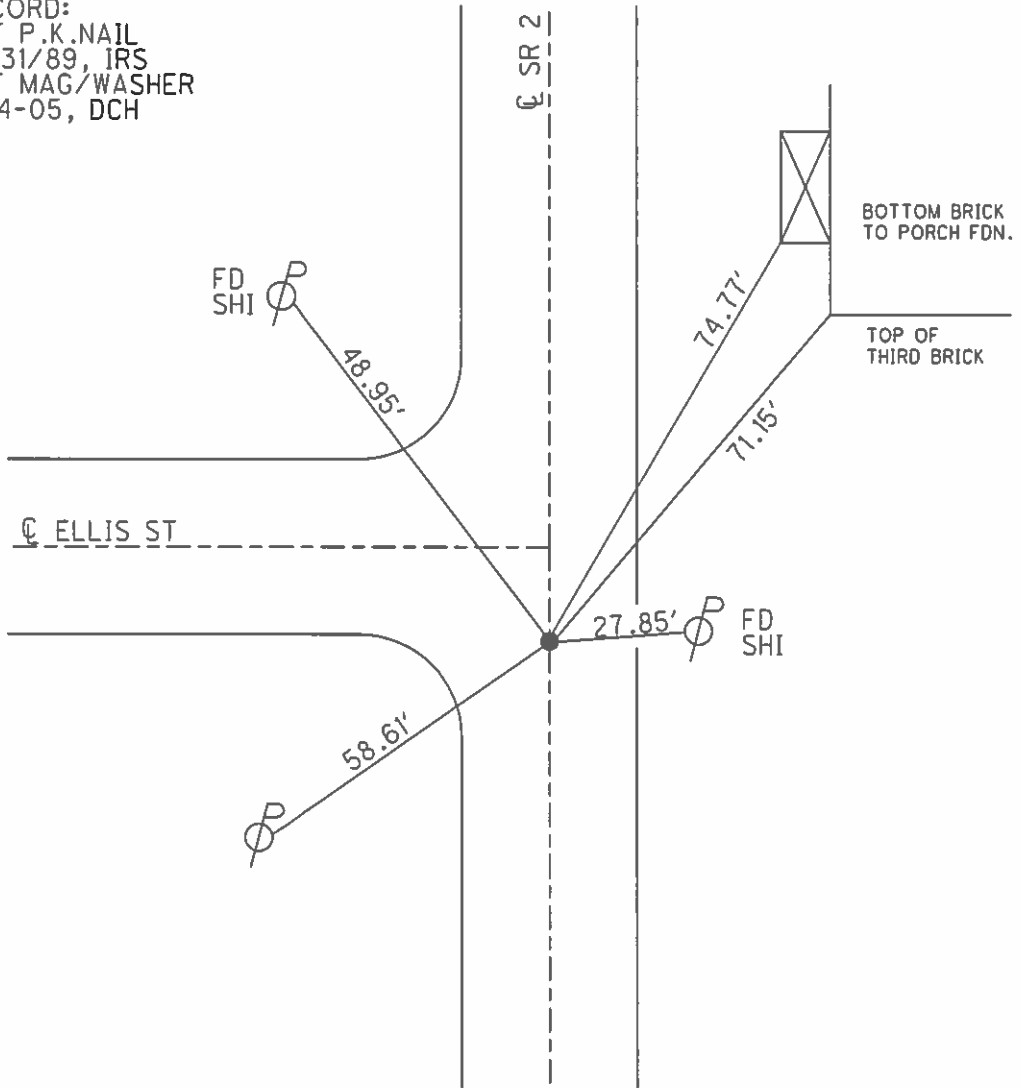
PERSONNEL _____ REFERENCE NO. 53 B SHEET 15 OF 21

NOTES HOMAN DATE 4/15/05 ROUTE SR 2
 H.C. HOMAN WEATHER SUNNY COUNTY WILLIAMS
 R.C. KOLEMAINEN TEMP. 50° TOWNSHIP SPRINGFIELD
 SECTION 4
T 6 N R 4 E

TYPE MONUMENT P.K.SHANK
 ON SURFACE - ~~BELOW~~ ON _____
 LEFT - ☉ PAV'T - ~~RIGHT~~ 1'
13.2' TORT EDGE PAVEMENT
 S.L.M. 824+21
 GRID: NORTHING: _____ EASTING: _____



RECORD:
 SET P.K.NAIL
 10/31/89, IRS
 SET MAG/WASHER
 6-14-05, DCH



O.D.O.T. DISTRICT 2 SURVEY OFFICE

PERSONNEL _____

REFERENCE NO. 53-B

SHEET 12 OF _____

NOTES D. CURTIS

H.C. J. HOUSEHOLDER

DATE 12-14-88

ROUTE S. R. #2

R.C. _____

WEATHER MILD

COUNTY WILLIAMS

TEMP. 35°

TOWNSHIP SPRINGFIELD

SECTION 4

T _____ R _____

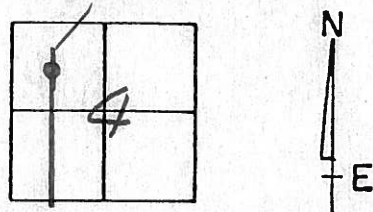
TYPE MONUMENT P.K. NAIL

ON SURFACE - BELOW ON SURFACE

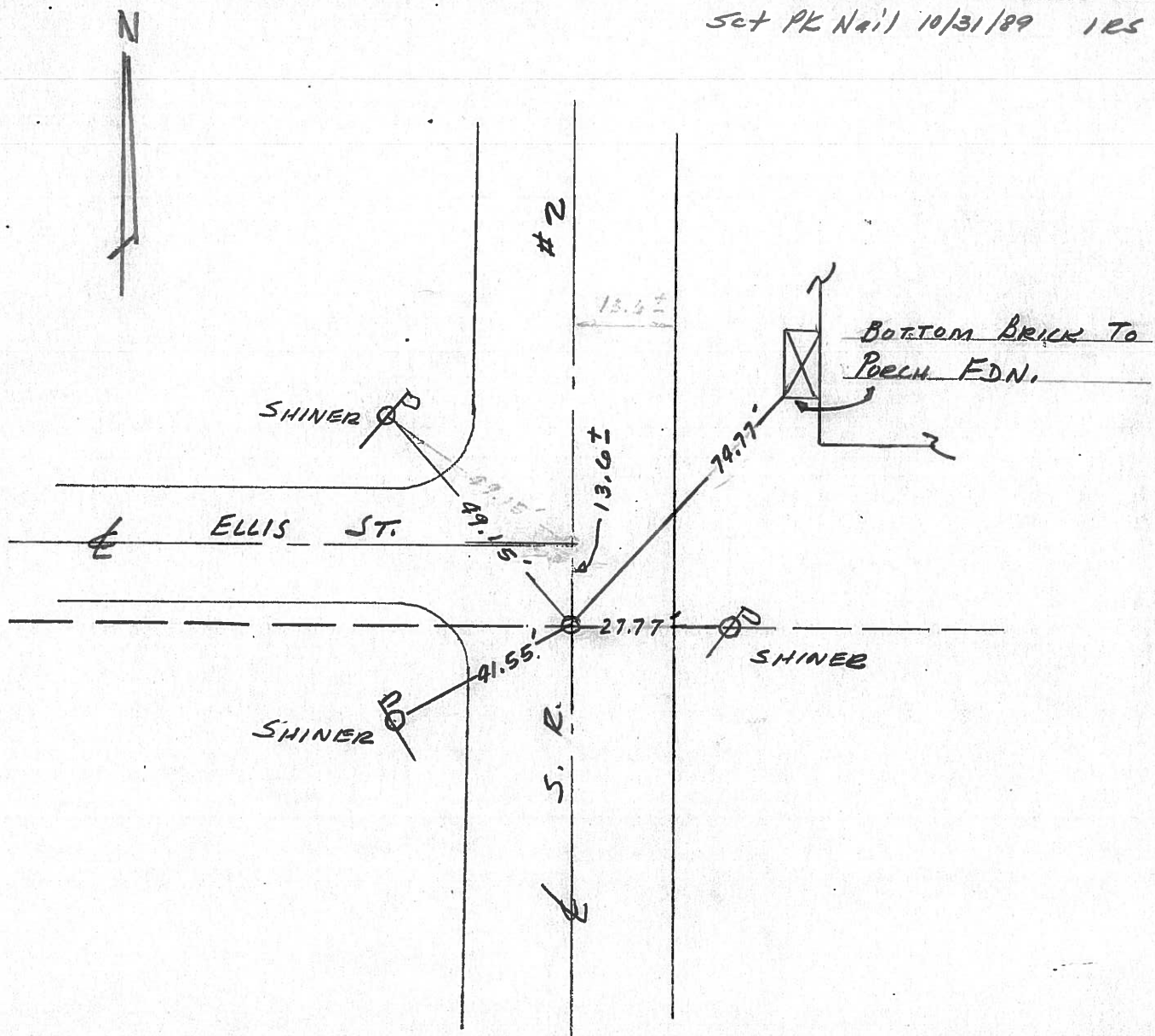
LEFT - € PAV'T. - RIGHT € PAV'T

_____ TO _____ EDGE PAVEMENT

S.L.M. 758 + 97



Set PK Nail 10/31/89 125



County Williams S.R. 2

Date 12 Aug. 82

Township Springfield

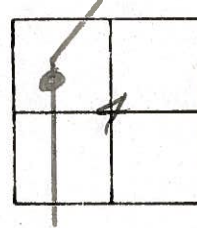
Weather Warm

Section 4

Temp. 75°

T N, R E

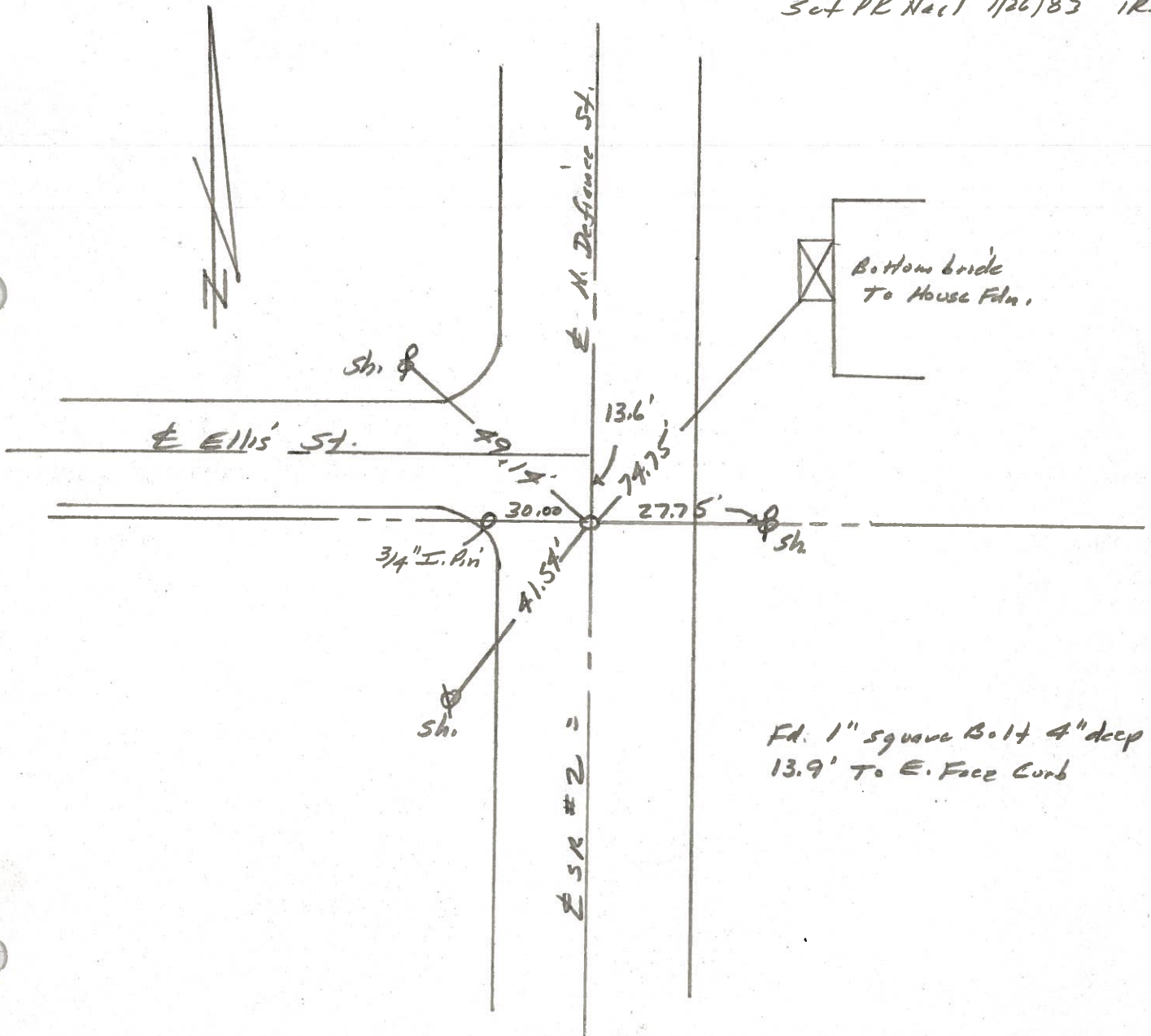
Personnel I. Stone



P. Neuser
R. Michelale
D. Curtis

REF. No. **53-B**

Set PK Nail 1/26/83 IRS



Fd. 1" square Bolt 4" deep
13.9' To E. Face Curb

PERSONNEL TITLE PERSONNEL TITLE
Pessefall _____

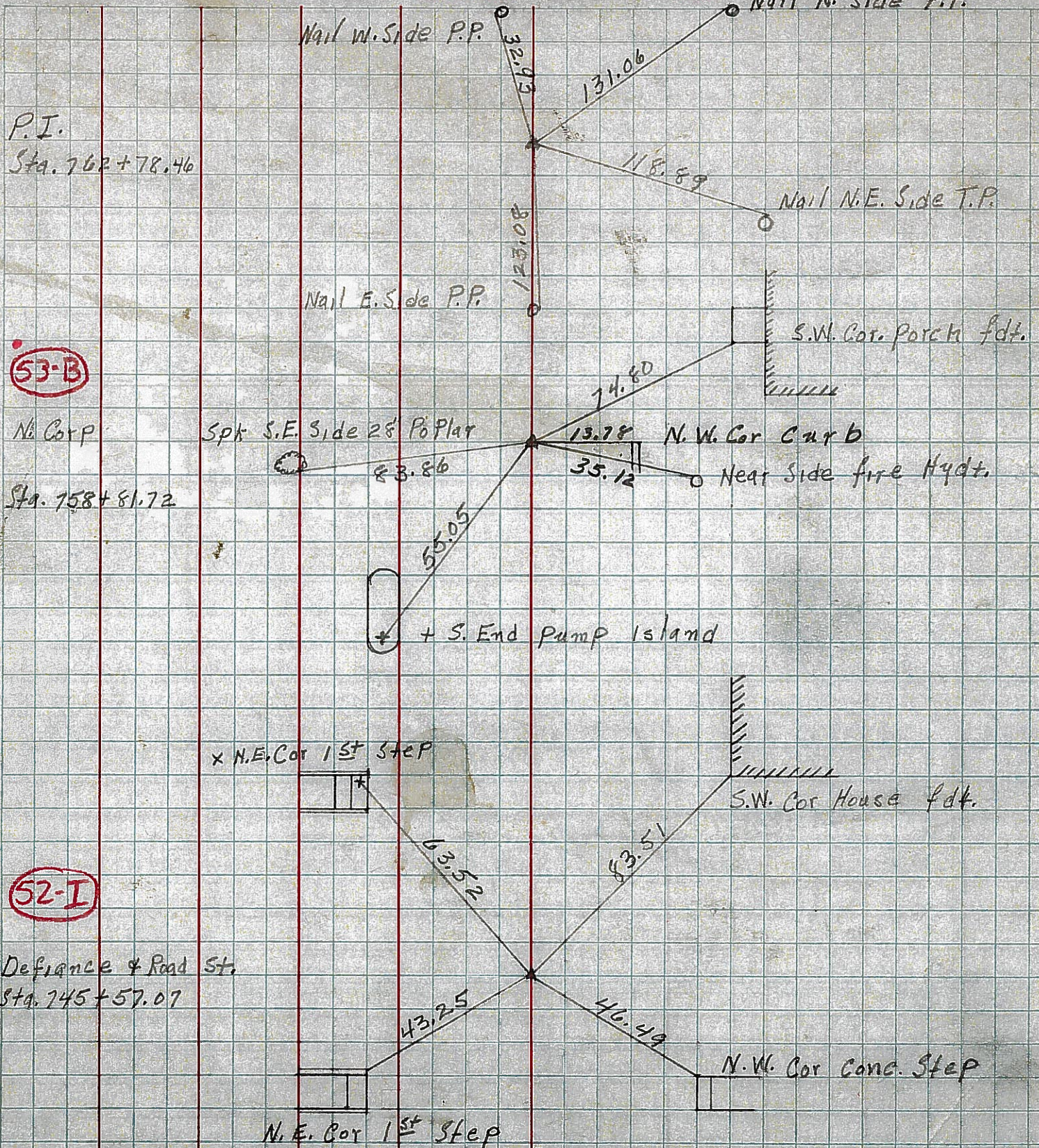
COUNTY Williams DATE 11-30-60

S. R. # 2 WEATHER Snow

SEC. _____ TEMP. 30°

DESCRIPTION Stryker Village

JOB NO. _____



P.I.
Sta. 762+78.46

53-B

N. Cor P
Sta. 758+81.72

52-I

Defiance & Road St.
Sta. 745+57.07

N. E. Cor 1st Step

N. W. Cor Conc. Step