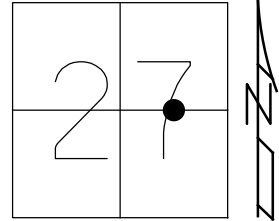


O.D.O.T. DISTRICT 2 SURVEY OFFICE (USE ONLY)

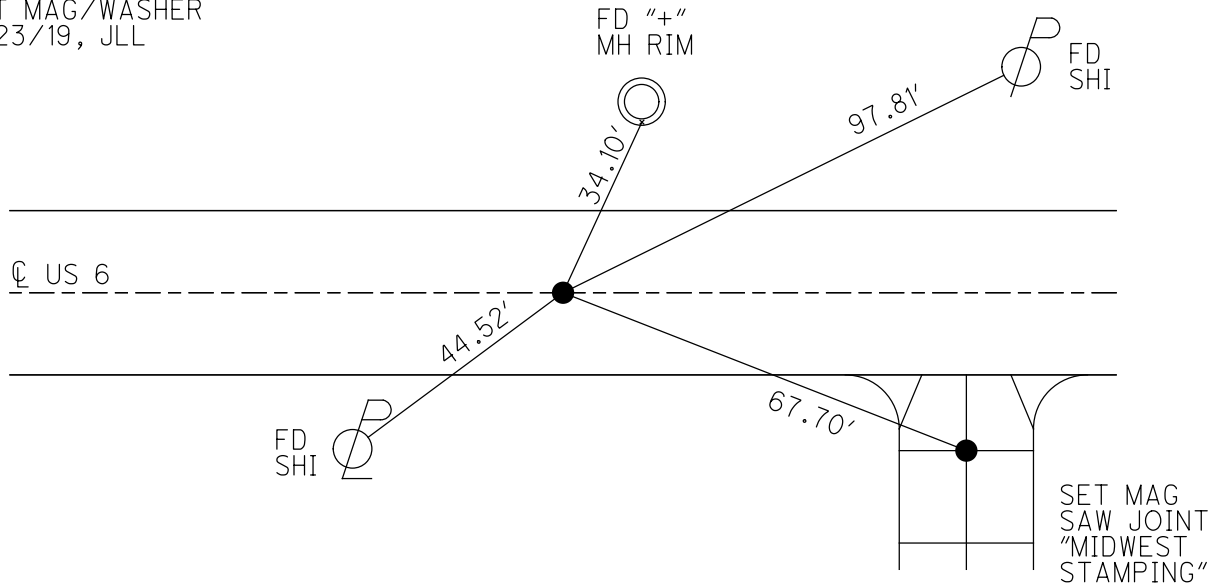
PERSONNEL _____ REFERENCE NO. 4 I SHEET 11 OF 41
 NOTES TRENKA DATE 7/16/18 ROUTE US 6
 H.C. LEU WEATHER CLOUDY COUNTY WILLIAMS
 R.C. HAGEMeyer TEMP. 75° TOWNSHIP ST. JOSEPH
 DWG BY NIESE PID 102827 SECTION 27
 T 6 N R 1 E

TYPE MONUMENT P.K./WASHER
 ON SURFACE - ~~BELOW~~ ON
 OFFSET Q PAVEMENT ON LT : RT
12.2' TO LT EDGE PAVEMENT
 STATION: 196+49.89



HORIZ.DATUM: NAD83 2011 GEOID: NAVD88 2012A
 GRID: NORTHING: 656829.205 EASTING: 1355665.328

RECORD: P.I.
 STA 20+26.54
 FD P.K./WASHER
 5/3/00, MB
 SET P.K./WASHER
 8/1/00, MRC
 FD P.K.NAIL
 REF14
 3/31/17, DCH
 SET MAG/WASHER
 9/23/19, JLL



O.D.O.T. DISTRICT 2 SURVEY OFFICE

PERSONNEL

REFERENCE NO. 4-I

SHEET 14 OF 32

NOTES CANTERBURY

H.C. MOSEK

R.C. BARNHISEL III

DATE 5-3-00

WEATHER FAIR

TEMP. +68°

ROUTE 6

COUNTY WILLIAMS

TOWNSHIP St. Joseph

SECTION 27

T. 6 N R. 1 E

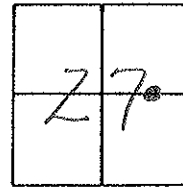
TYPE MONUMENT PK/WASHER

ON SURFACE - BELOW yes

LEFT - & PAV'T. - RIGHT yes

12.2' TO LT EDGE PAVEMENT

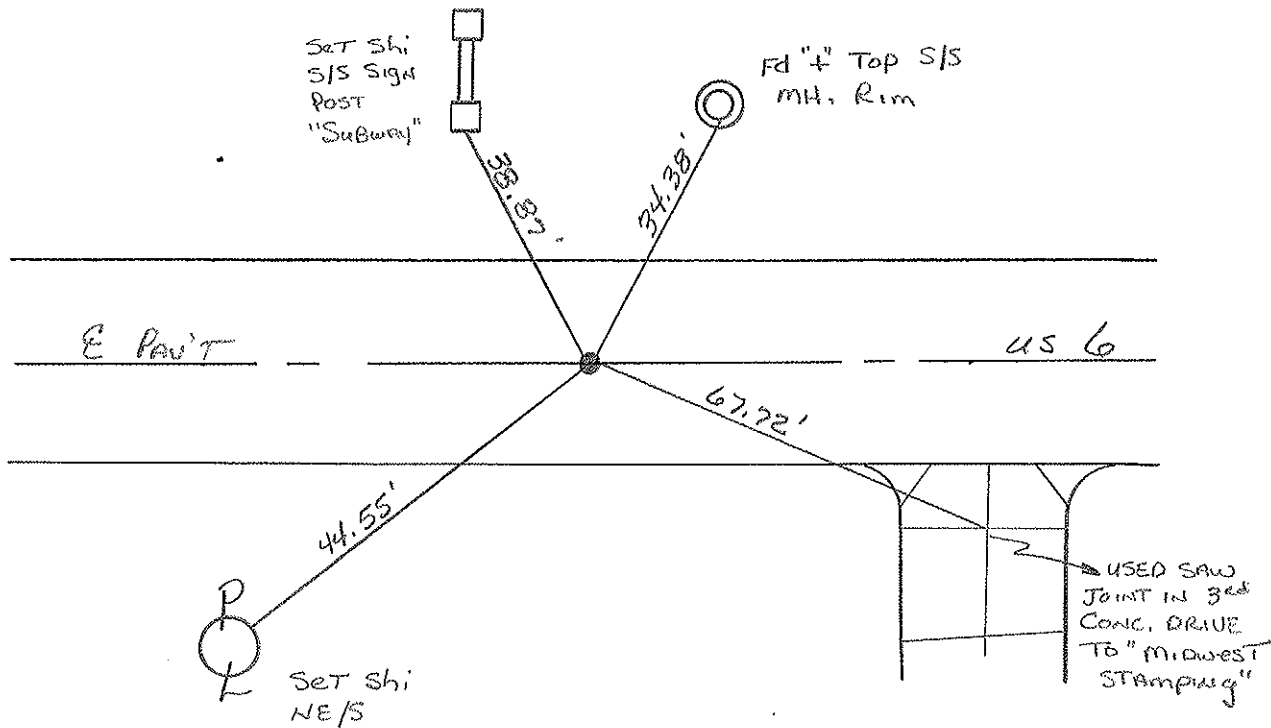
S.L.M. 196+56



Record PI = 20+26.54

RESET PK/WASHER

8-1-00
M.R.C.



O.D.O.T. DISTRICT 2 SURVEY OFFICE

PERSONNEL

REFERENCE NO. 12

SHEET 12 OF

NOTES LOEHRKE

H.C. REED

R.C. BARNHISEL

Hoffman

DATE 4-12-88

WEATHER CLEAR

TEMP. +48

ROUTE U.S. 6

COUNTY WILLIAMS

TOWNSHIP St JOSEPH

SECTION 27

T 6 N R 1 E

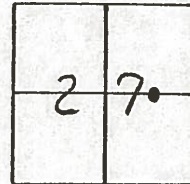
TYPE MONUMENT Set P.K. & WASHER 5-31-88
Sm R.R. Spike

ON SURFACE - BELOW 0.3

LEFT - ☉ PAV'T. - RIGHT 0.3

10.4 TO Lt EDGE PAVEMENT

S.L.M. 196 + 56



4-I

THE LAST STRAW
Gift SHOP

"+" Top S/S
M. HOLE
RIM

Sti
SW/S P

34.14

97.83

☉ PAVT

U.S. 6

77.47-P

62.42



"+" Top CTR.
N. PARAPET
of C.B.

Sti
N.W/S

RECORD
P.T. STA. 20+26.54

County Williams S.R. U.S. 6

Date 7-15-81

Township St. Joseph

Weather Cloudy

Section 27

Temp. +75°

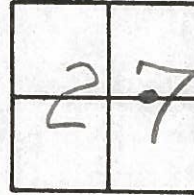
T&N, RLE

Personnel Hoffmaxl

Loehrke

Householder

(4-I)



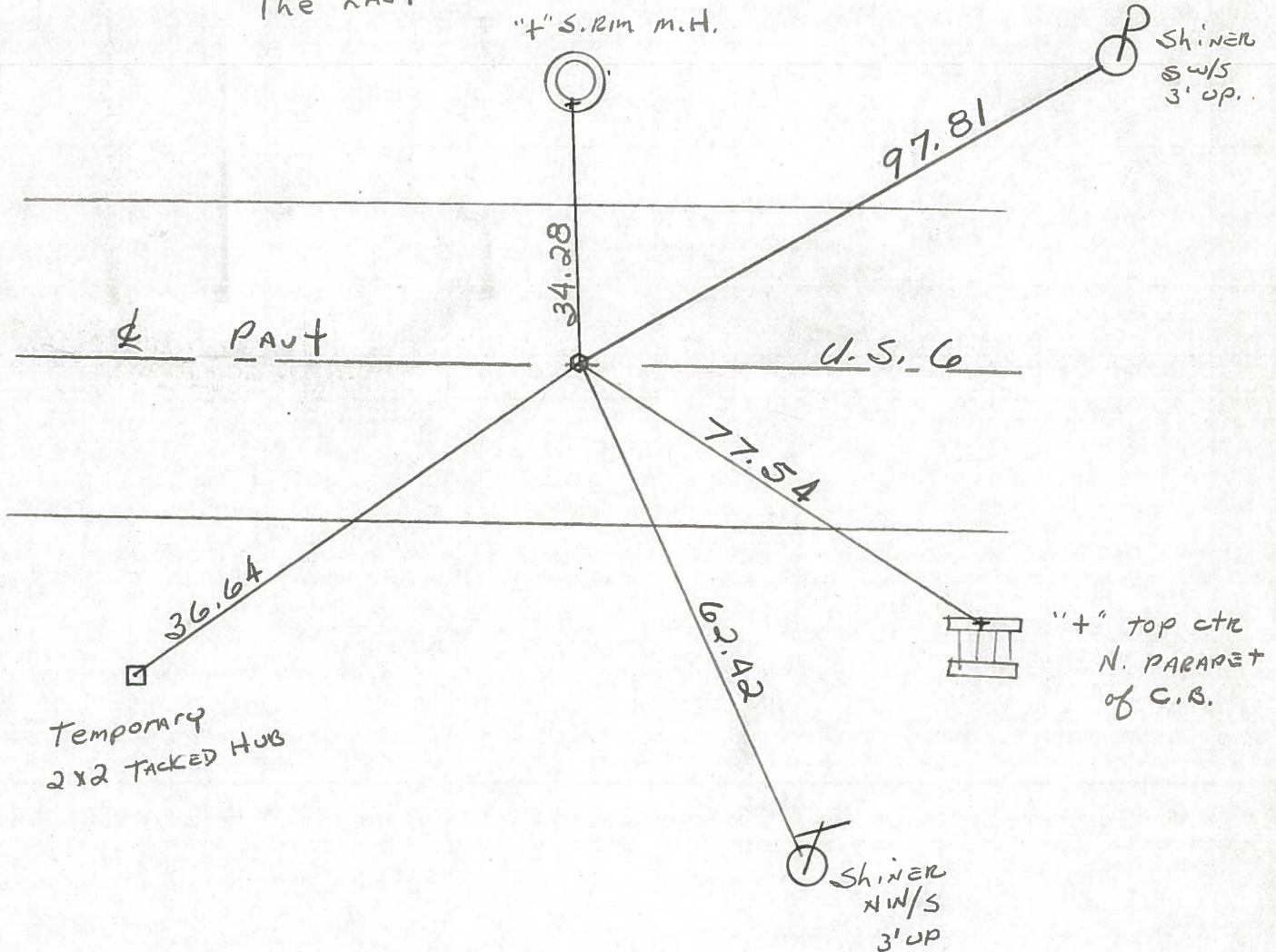
Fd. R.R. Spk 2" Below Surface
@ ctr. of PAUT
to N. EP.
to S. EP.

PROJECT STA ± 196 + 56

SET SMALL R.R. SPK.
11-5-81 SWH

The "Last Straw" Gift Shop

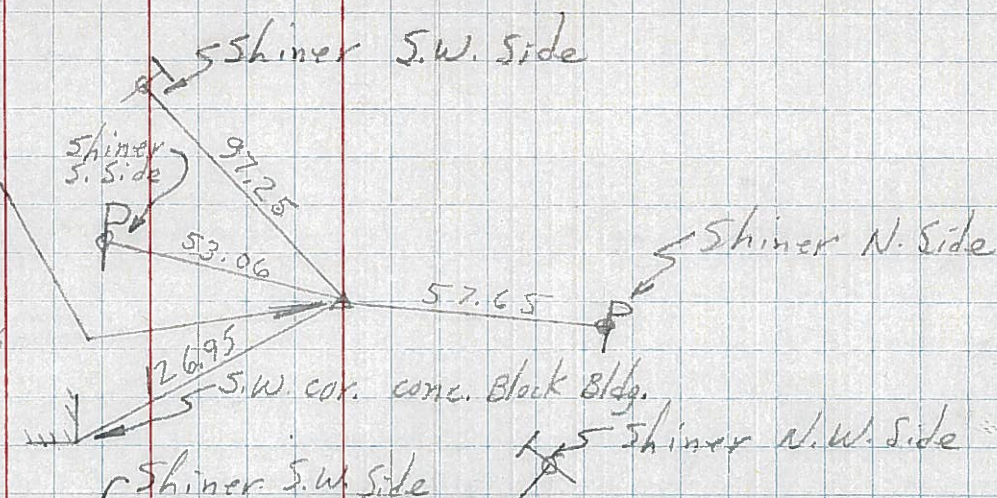
"+" S. RIM M.H.



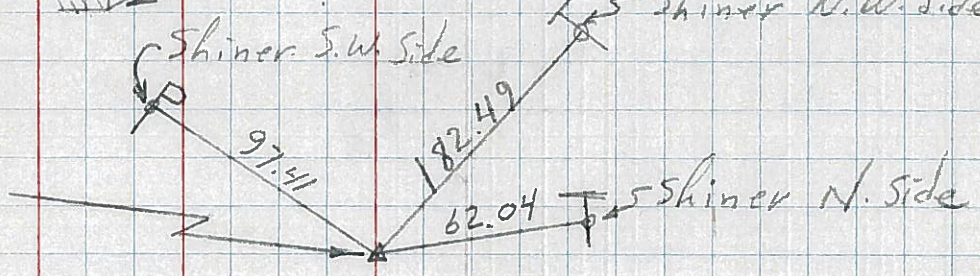
P.T. STA. 20+26.54 ~ Rec.

PERSONNEL	TITLE	PERSONNEL	TITLE	COUNTY	DATE	WEATHER	TEMP.
Longs				Wii	9/4/58	Fair	75°
Wise				S. R. 6			
Krahn				E. Corp. Line Edgerton			
Pessefall				SEC to Intersect. Rt #2			
DESCRIPTION: Witnesses to Control Points				LEFT	CENTER LINE	RIGHT	JOB NO.

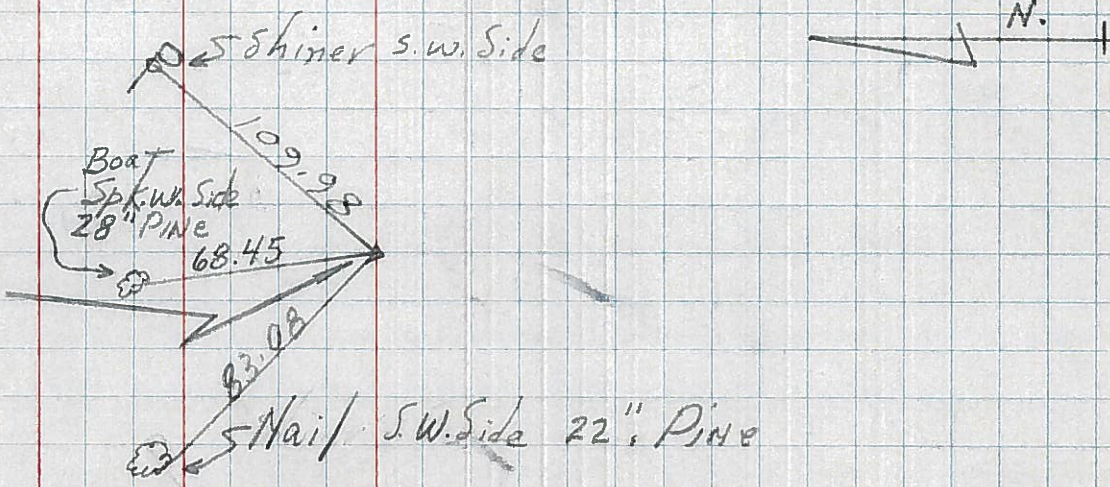
⑤
4
P.I. - Sta. 36+73.57
Δ 0°-26 RT
1" Iron pipe
P.O.T. - Sta. 30+13.6
No Record.



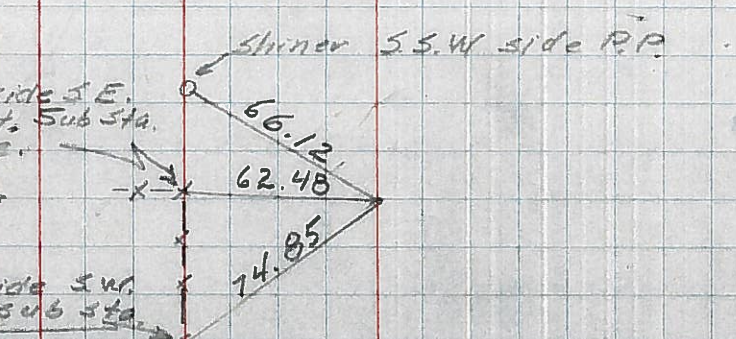
④I
3
P.T. - Sta. 20+26.54
X-IN Pav't.



④-II
2
P.I. - Sta. 17+90.49
Δ = 2°-50' LT.
X-IN Pav't.



④-G
I
PC Sta. 15+54.32
X-in Pav't.



Note - station 12+00 = ctr. of St. Joseph River Bridge