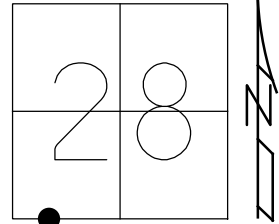


O.D.O.T. DISTRICT 2 SURVEY OFFICE (USE ONLY)

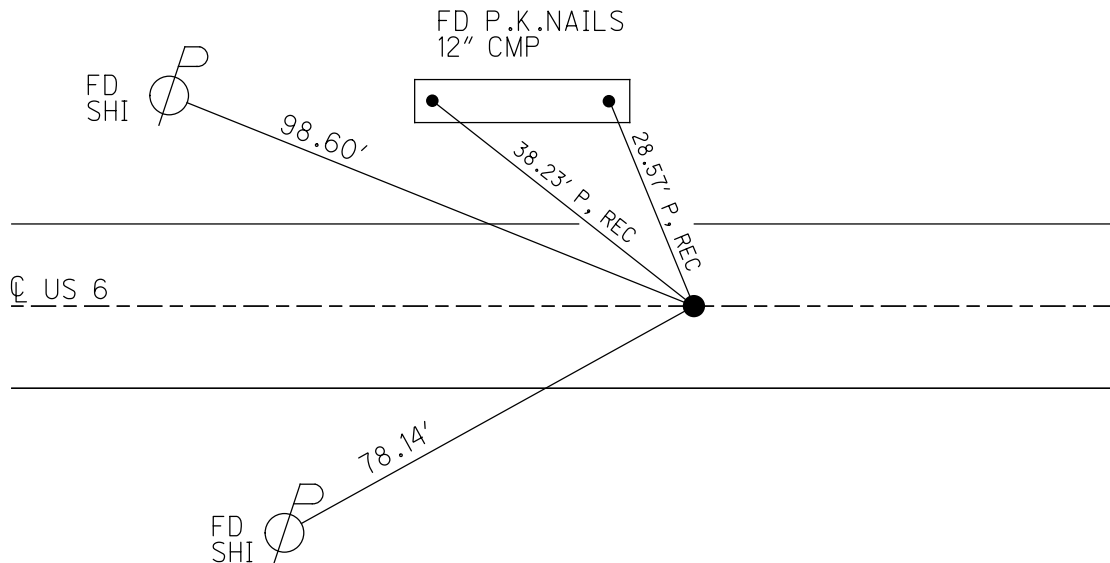
PERSONNEL _____ REFERENCE NO. 9 A SHEET 26 OF 41
 NOTES RHOADES DATE 7/19/18 ROUTE US 6
 H.C. O'DONNELL WEATHER CLOUDY COUNTY WILLIAMS
 R.C. HAGEMEYER TEMP. 68° TOWNSHIP CENTER
 _____ TRENKA _____ SECTION 28
 DWG BY NIESE PID 102827 T 6 N R 2 E

TYPE MONUMENT P.K./WASHER
 ON SURFACE - ~~BELOW~~ ON
 OFFSET Q PAVEMENT ON LT : RT
12.0' TO LT EDGE PAVEMENT
 STATION: 438+23.27



HORZ.DATUM: NAD83 2011 GEOID: NAVD88 2012A
 GRID: NORTHING: 653812.354 EASTING: 1379345.076

RECORD: P.T.
 STA.261+94.72
 1976
 FD P.K./WASHER
 5/5/00, MRC
 SET P.K./WASHER
 8/3/00, MRC
 FD P.K./WASHER
 REFA9
 3/31/17, DCH
 SET MAG/WASHER
 10/2/19, JLL



O.D.O.T. DISTRICT 2 SURVEY OFFICE

PERSONNEL

REFERENCE NO. 9-a

SHEET 29 OF 32

NOTES CANTERBURY

H.C. MOSEK

R.C. BARNHISEL

DATE 5-5-00

WEATHER cloudy

TEMP. +78°

ROUTE US 6

COUNTY WILLIAMS

TOWNSHIP CENTER

SECTION 28

T. 6 N. R. 2 E.

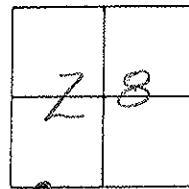
TYPE MONUMENT PK / WASHER

ON SURFACE - BELOW yes

LEFT - & PAV'T. - RIGHT yes

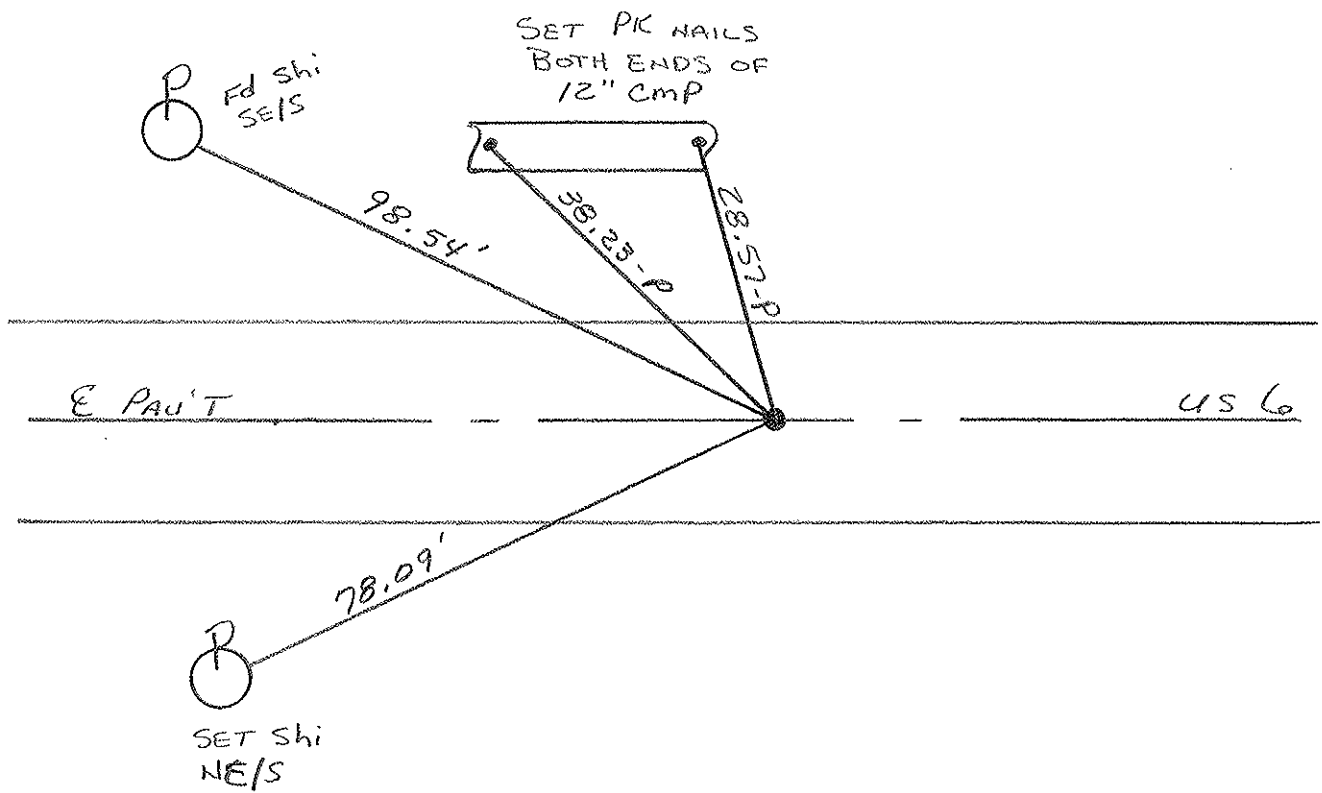
12.0' TO CT EDGE PAVEMENT

S.L.M. 438+36



1976 Record!
P.T. Sta. 261+94.72

RESET PK/WASHER
8-3-00
M.R.C.



O.D.O.T. DISTRICT 2 SURVEY OFFICE

PERSONNEL

REFERENCE NO. 27

SHEET 27 OF

NOTES Loehrke

H.C. Reed

R.C. Barnhiser

Hoffman

DATE 4-12-88

WEATHER Clear

TEMP. +65

ROUTE U.S. 6

COUNTY Williams

TOWNSHIP Center

SECTION 28

T 6 N R 2 E

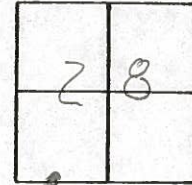
TYPE MONUMENT RK. and WASHER 6-2-88
Sm R.C. Spike

ON SURFACE - BELOW

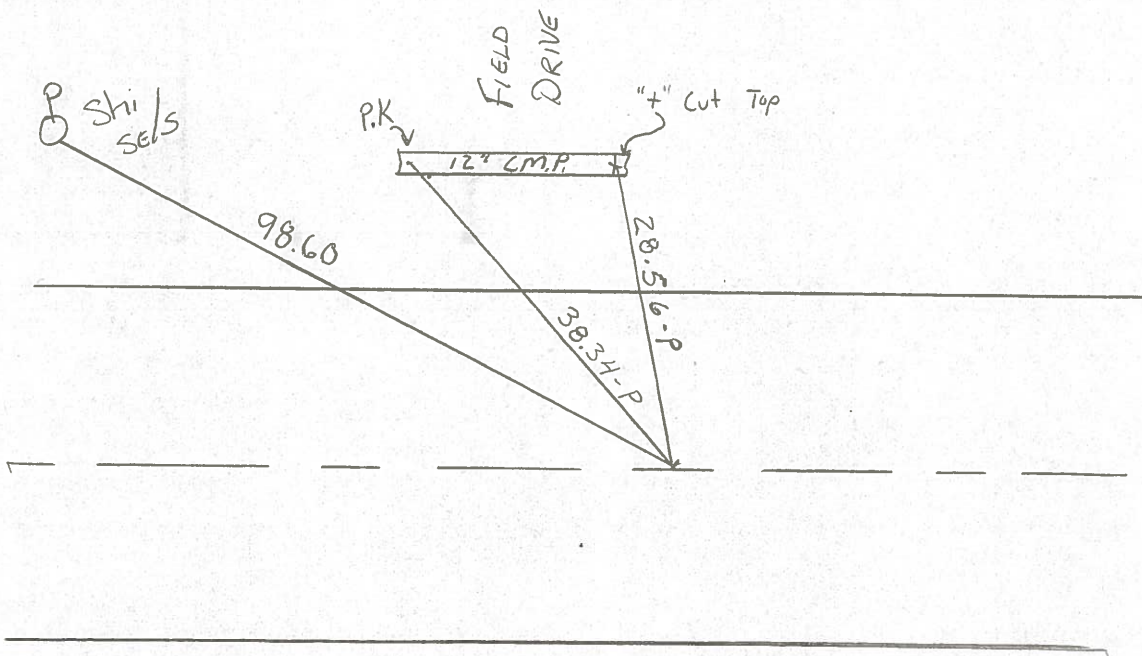
~~LEFT~~ - PAV'T. - RIGHT

11.3 TO Lt EDGE PAVEMENT

S.L.M. 438 + 36



9-A



County Williams S.R. U.S. 6

Date 7-21-81

Township Cexter

Weather P. Cloudy

Section 28

Temp. + 75°

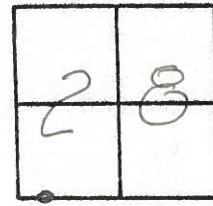
T6N, R2E

Personnel Hoffman

Loehrke

Householder

9-A



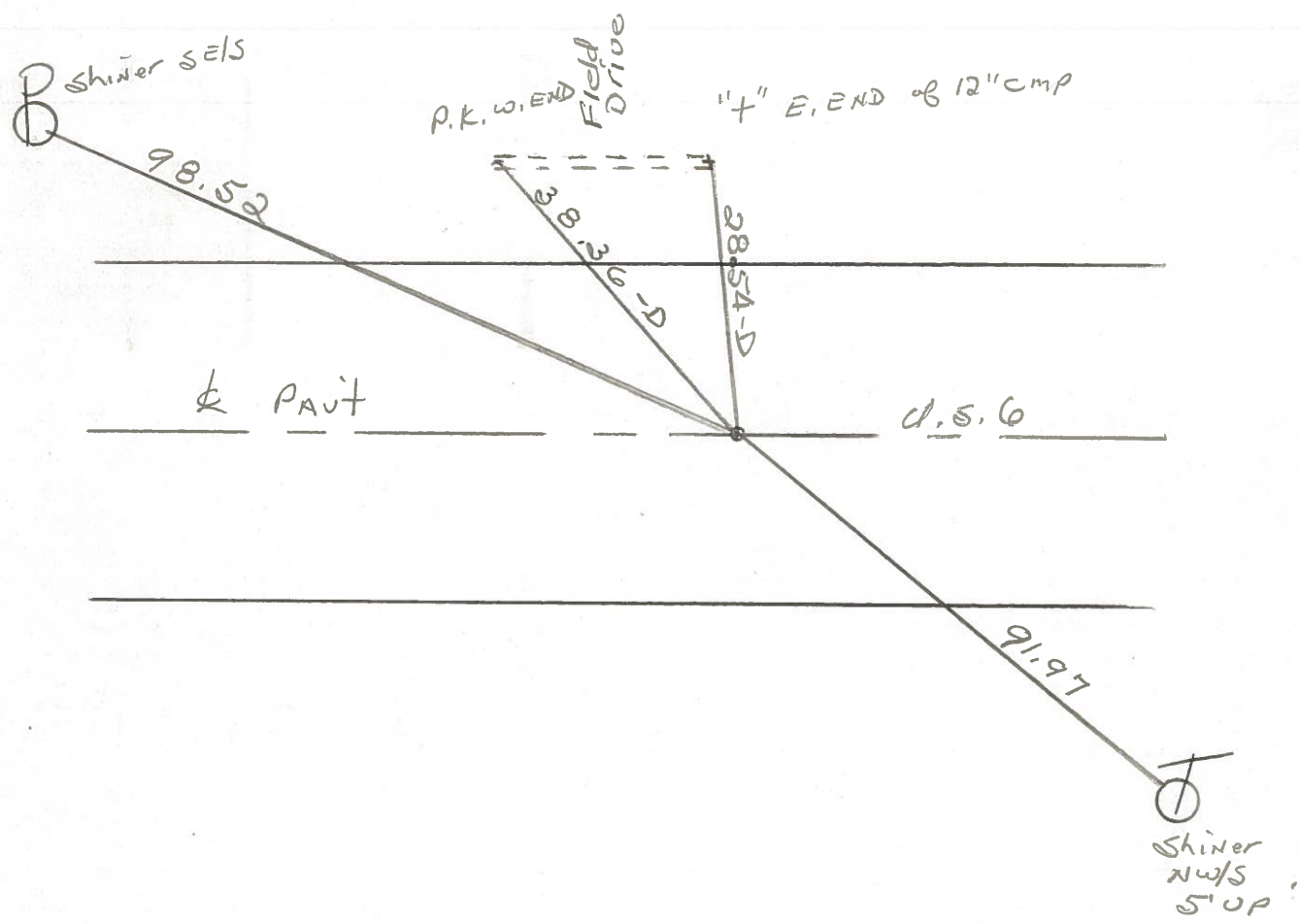
Fd. P.K. Nail @ Surface

PROJECT STA ± 438 + 30

11.0' TO N. EP.

11.0' TO S. EP.

SET SMALL R.R. SPK.
11-10-81-SWH



P.T. STA. 261+94.72' - Δ = 3°-36' ~ Rec.

PERSONNEL TITLE PERSONNEL TITLE

Red Beach
W. Knape

COUNTY Williams DATE JAN 1976

S. R. US 6 WEATHER

SEC CENTER TWP. TEMP

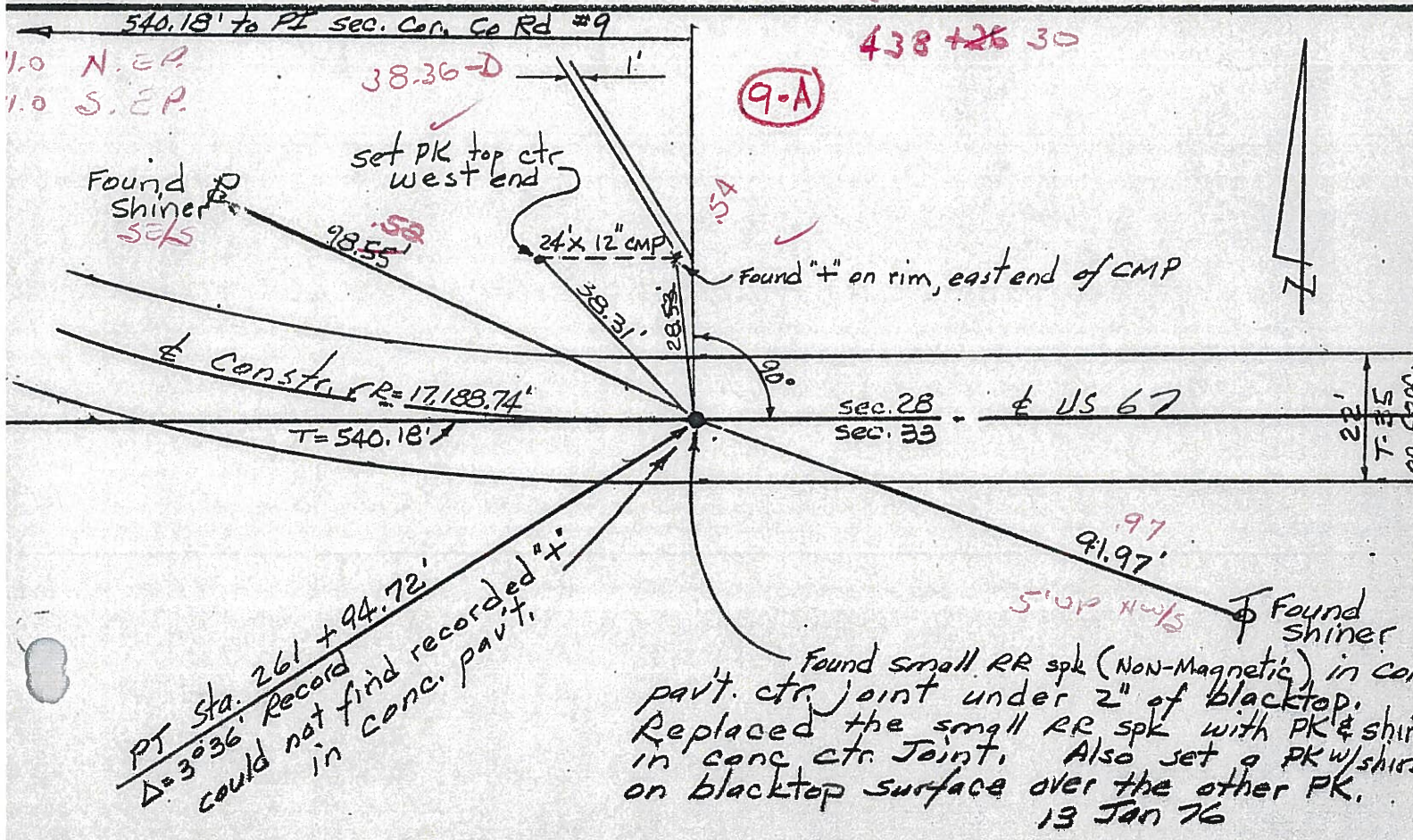
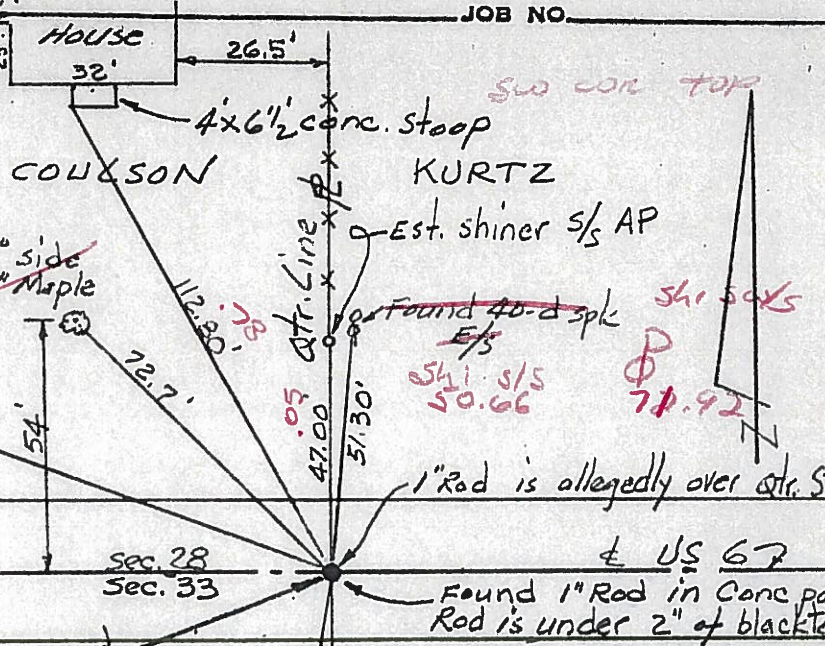
DESCRIPTION CONTROL POINTS JOB NO.

459+46
50

q-A
(9-C)

John North

11.1 N EP
11.0 S EP



PERSONNEL TITLE PERSONNEL TITLE

Louys

COUNTY Wi.

DATE 9/4/58

Wise

S. R. 6

WEATHER Fair

Krohn

Edgerton E. Corp. Lim.

TEMP. 75°

Pessefall

SECTION INT X IN RT. #2

DESCRIPTION Witnesses to Control Points

JOB NO. _____

LEFT

CENTER LINE

RIGHT

