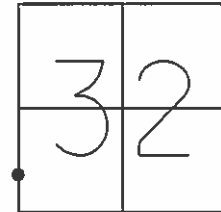


O.D.O.T. DISTRICT 2 SURVEY OFFICE (USE ONLY)

PERSONNEL _____ REFERENCE NO. 29 B SHEET 14 OF 40
 NOTES O'DONNELL DATE 4/1/16 ROUTE SR 15
 H.C. RHOADES WEATHER CLOUDY COUNTY WILLIAMS
 R.C. O'DONNELL TEMP. 43° TOWNSHIP JEFFERSON
 _____ SECTION 32
 _____ T 8 N R 3 E

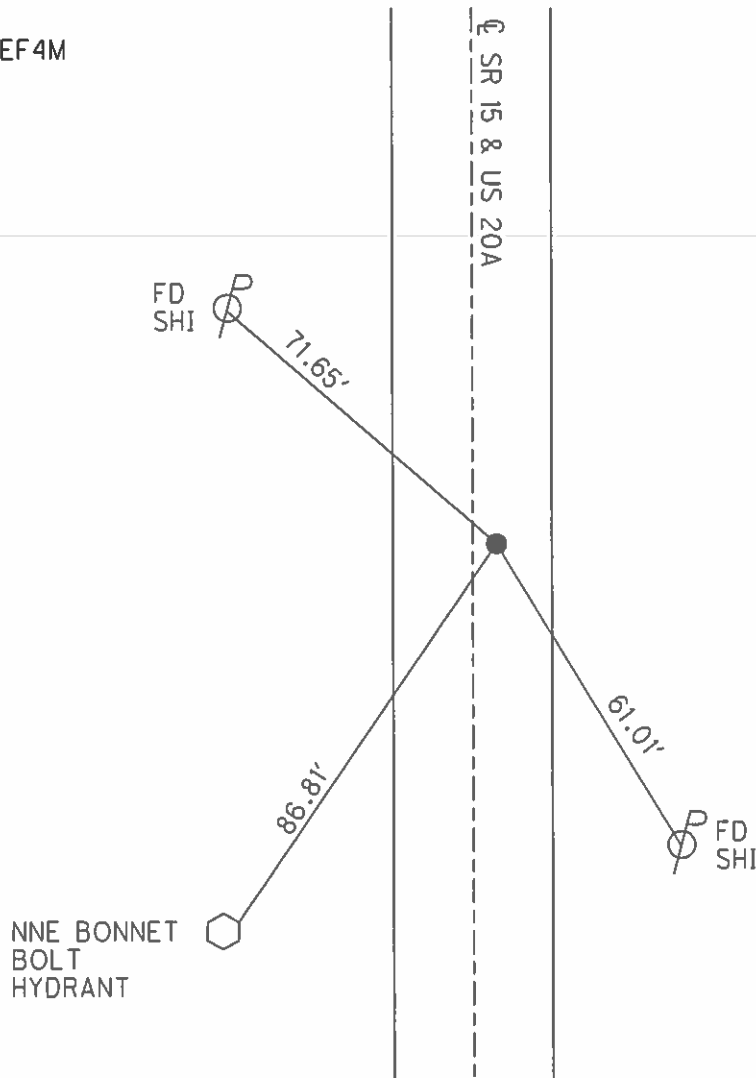
TYPE MONUMENT P.K./WASHER
 ON SURFACE - ~~BELOW~~ ON _____
 LEFT - ☉ PAV'T - ~~RIGHT~~ 3.2'
8.6' TO LT EDGE PAVEMENT
 S.L.M. 559+23.26



GRID: NORTHING: 711863.739 EASTING: 1406312.385

NOTE:
 US 20A REF4M

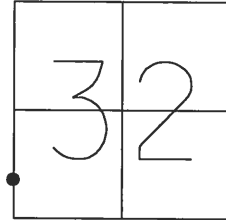
RECORD: P.I.
 FD P.K./WASHER
 7/16/92
 SET P.K./WASHER
 9/22/92, CL
 FD P.K.SHANK
 10/22/13
 REFB29
 10/23/13, TMR
 SET MAG/WASHER
 NEWREFB29
 9/1/16, JFO



O.D.O.T. DISTRICT 2 SURVEY OFFICE (USE ONLY)

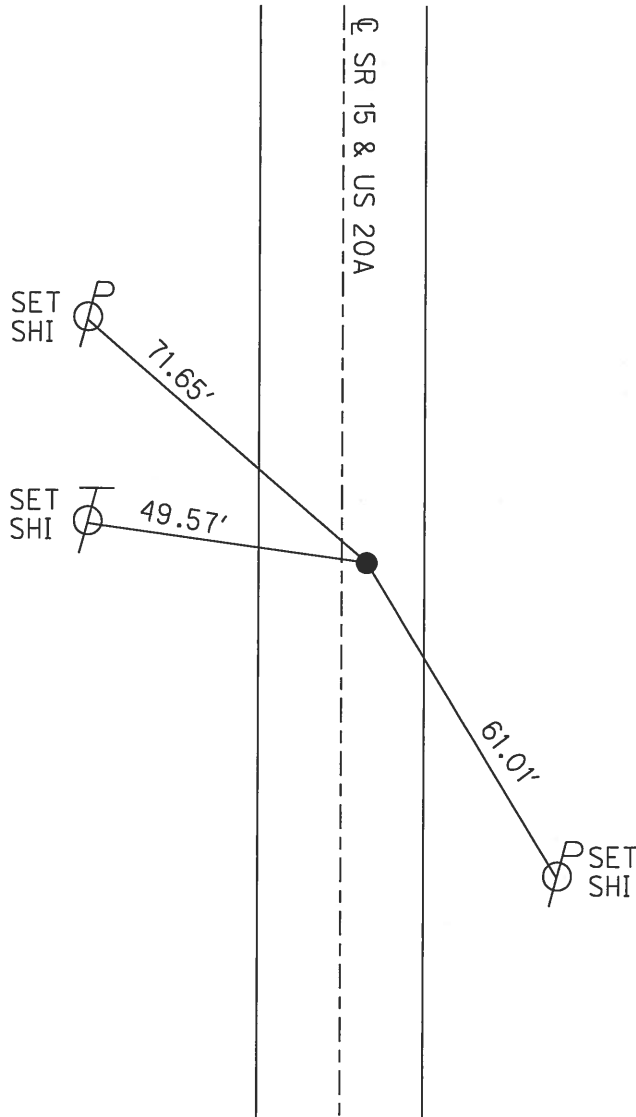
PERSONNEL _____ REFERENCE NO. 29 B SHEET 32 OF 39
 NOTES LOEHRKE DATE 7/16/92 ROUTE SR 15
 H.C. CURTIS WEATHER CLOUDY COUNTY WILLIAMS
 R.C. ROMETO TEMP. 70° TOWNSHIP JEFFERSON
FALKOWSKI SECTION 32
 T 8 N R 3 E

TYPE MONUMENT P.K./WASHER
 ON SURFACE - ~~BELOW~~ ON _____
 LEFT - ☉ PAV'T - ~~RIGHT~~ 3.2'
8.6' TO LT EDGE PAVEMENT
 S.L.M. 368+03.92



GRID: NORTHING: _____ EASTING: _____

REORD: P.I.
 SET P.K./WASHER
 9/22/92, CL



O.D.O.T. DISTRICT 2 SURVEY OFFICE

PERSONNEL

REFERENCE NO. 29-B

SHEET 11 OF 16

NOTES LOEHRKE

SR 15

H.C. CURTIS

DATE 7-16-92

ROUTE U.S. 20-A

R.C. ROMETO

WEATHER Cloudy

COUNTY Williams

FALKOWSKI

TEMP. +70

TOWNSHIP JEFFERSON

SECTION 32

RESET 9-22-92

T B N R 3 E

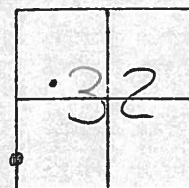
TYPE MONUMENT P.K. & WASHER

ON SURFACE - BELOW Yes

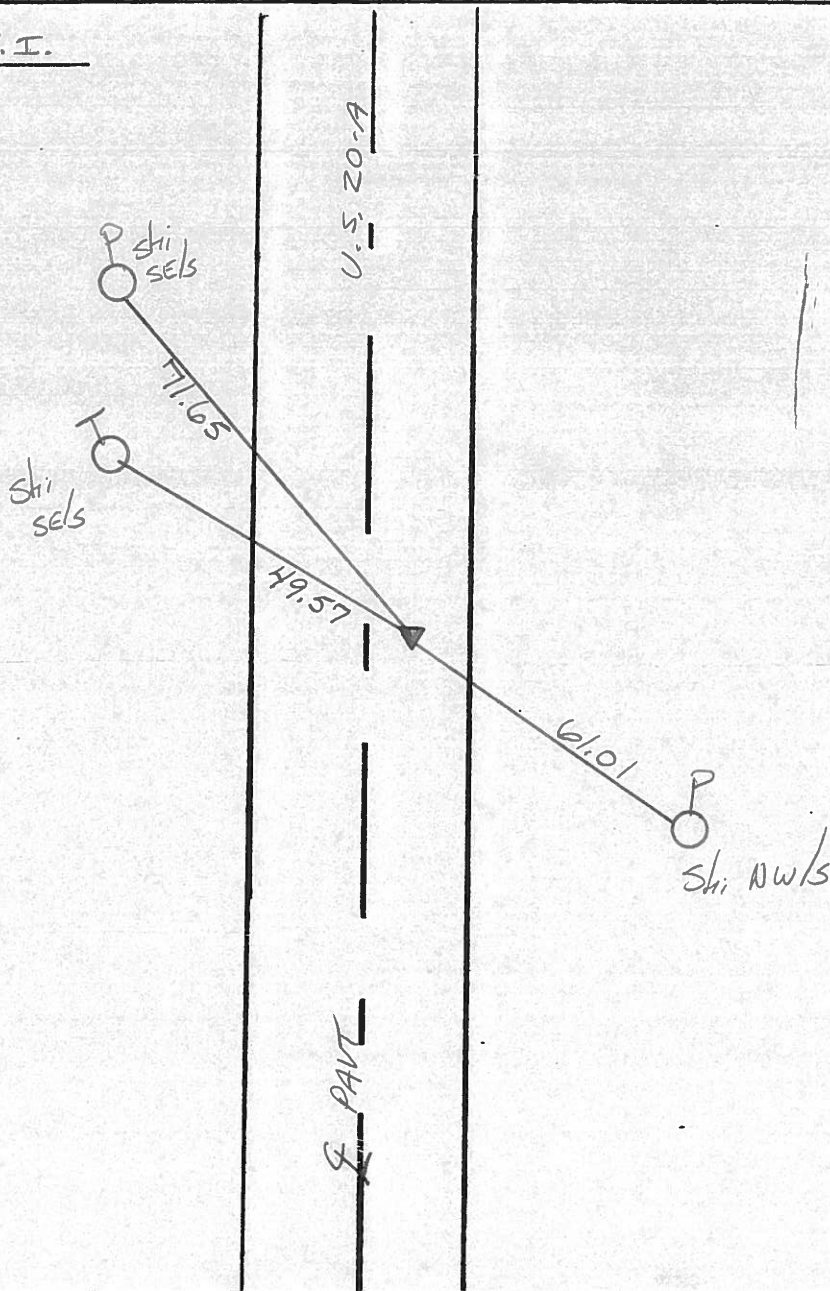
LEFT - C PAVT. - RIGHT 32'

8.6' TO Lt EDGE PAVEMENT

S.L.M. 196 + 87



APPEARS TO BE P.I.



County Williams S.R. 15 of U.S. 20-A

Date 1-18-83

Township JEFFERSON

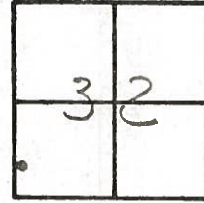
Weather CLEAR

Section 32

Temp. +15°

T8N, R3E

Personnel HOFFMAN



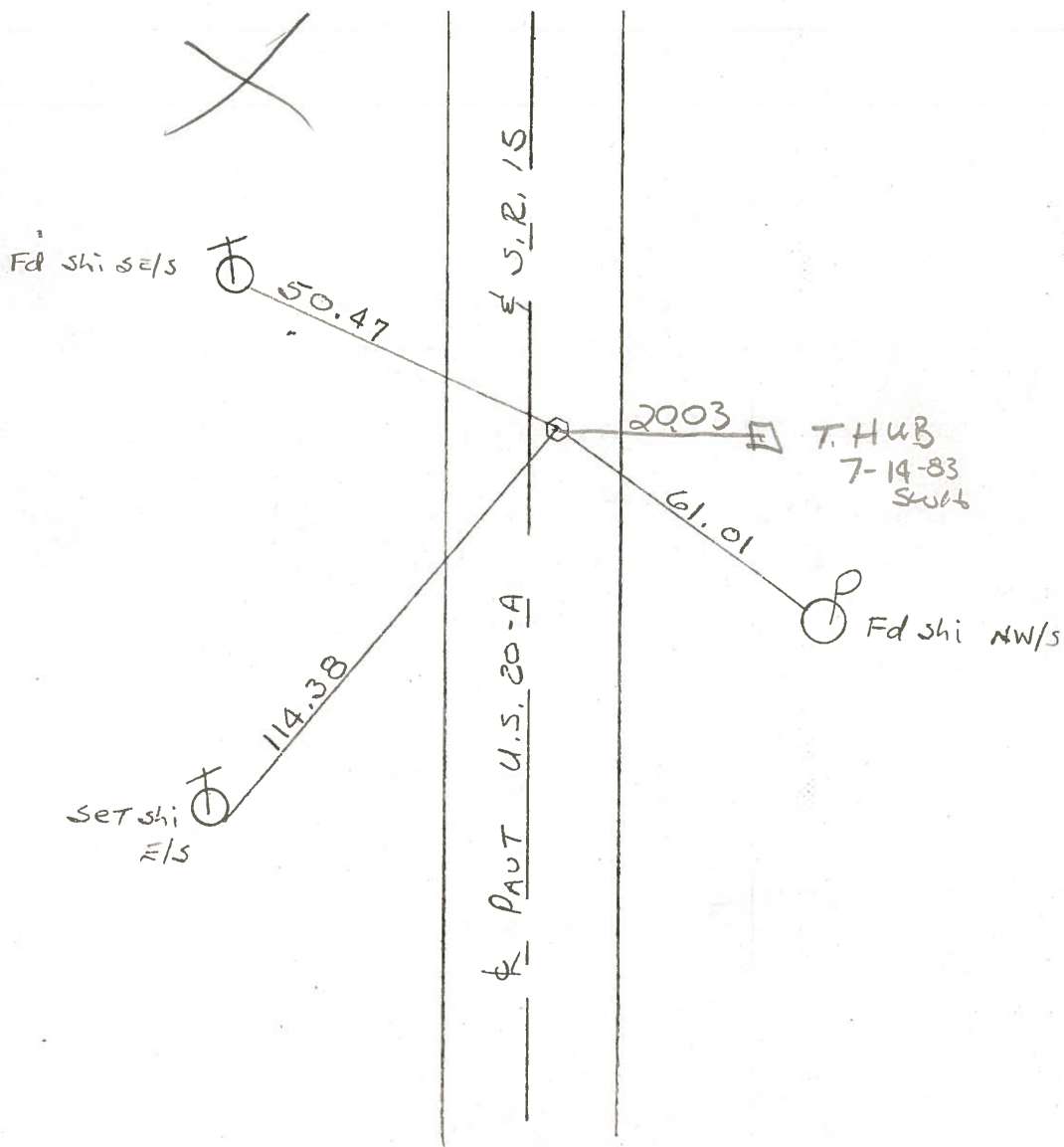
29-B

CREW

Fd R.R. SPK @ SURFACE; APPEARS TO BE P.I.
 3.6' EAST of & PAUT
 7.9' TO E.E.P.
 15.0' TO W.E.P.

S.L.M. 196+61

SET P.K./WASHER
 8-9-83 SWA



PERSONNEL	TITLE	PERSONNEL	TITLE
Beach			
Persefall			
Wise			
Dierks			

COUNTY Wi. DATE 2-20-53

S. R. 15 WEATHER _____

FROM Rt # 20 N. to

SEC. BRYAN N. Corp. Limit TEMP. _____

DESCRIPTION _____ LEFT _____ CENTER LINE _____ RIGHT _____ JOB NO. _____

