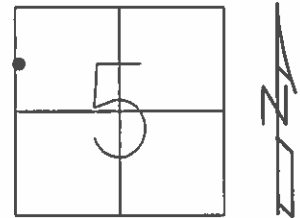


O.D.O.T. DISTRICT 2 SURVEY OFFICE (USE ONLY)

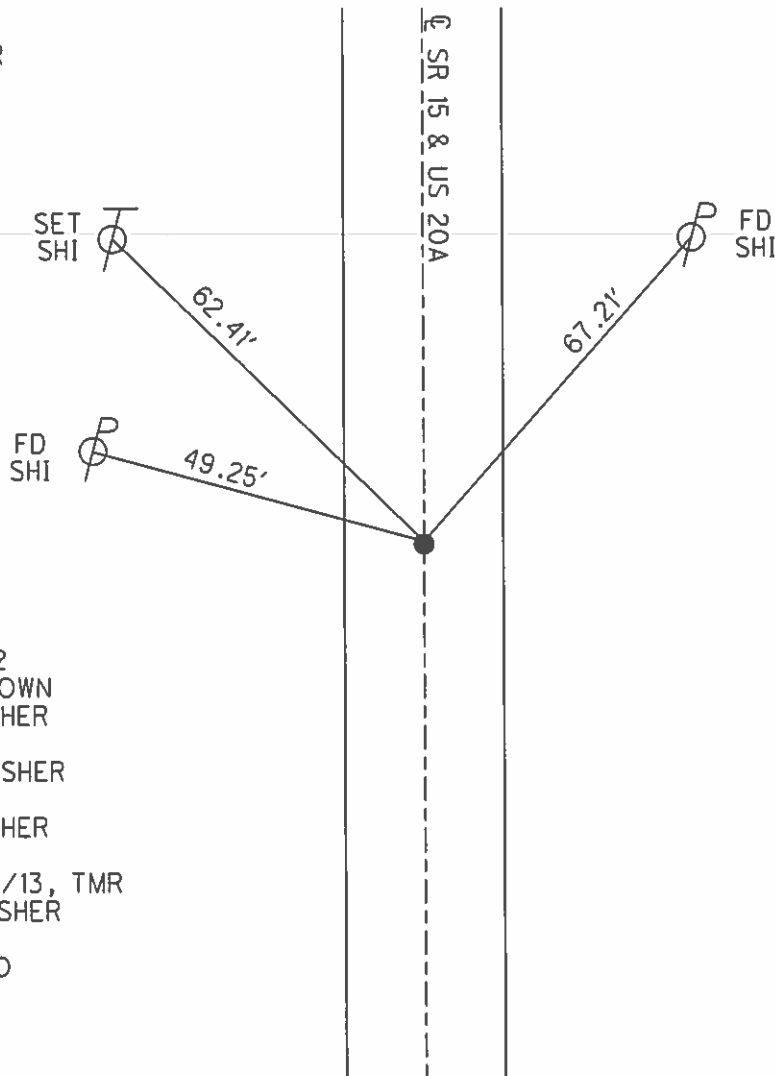
PERSONNEL \_\_\_\_\_ REFERENCE NO. 28 A SHEET 19 OF 40

NOTES O'DONNELL DATE 4/1/16 ROUTE SR 15  
 H.C. RHOADES WEATHER CLOUDY COUNTY WILLIAMS  
 R.C. O'DONNELL TEMP. 43° TOWNSHIP JEFFERSON  
 \_\_\_\_\_ SECTION 5  
 \_\_\_\_\_ T 7 N R 3 E

TYPE MONUMENT P.K./WASHER  
 ON SURFACE - ~~BELOW~~ ON  
 LEFT - ☉ PAV'T - RIGHT ON  
12.5' TO LT EDGE PAVEMENT  
 S.L.M. 587+46.58  
 GRID: NORTHING: 709043.495 EASTING: 1406199.485



NOTE:  
 US 20A REF4R

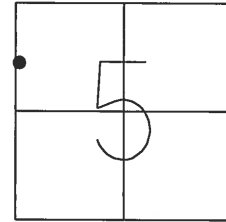


RECORD: 1982  
 ORIGIN UNKNOWN  
 FD P.K./WASHER  
 7/16/92  
 SET P.K./WASHER  
 9/22/92, CL  
 FD P.K./WASHER  
 10/2/13  
 REFA2810/23/13, TMR  
 SET MAG/WASHER  
 NEWREFA28  
 8/29/16, JFO

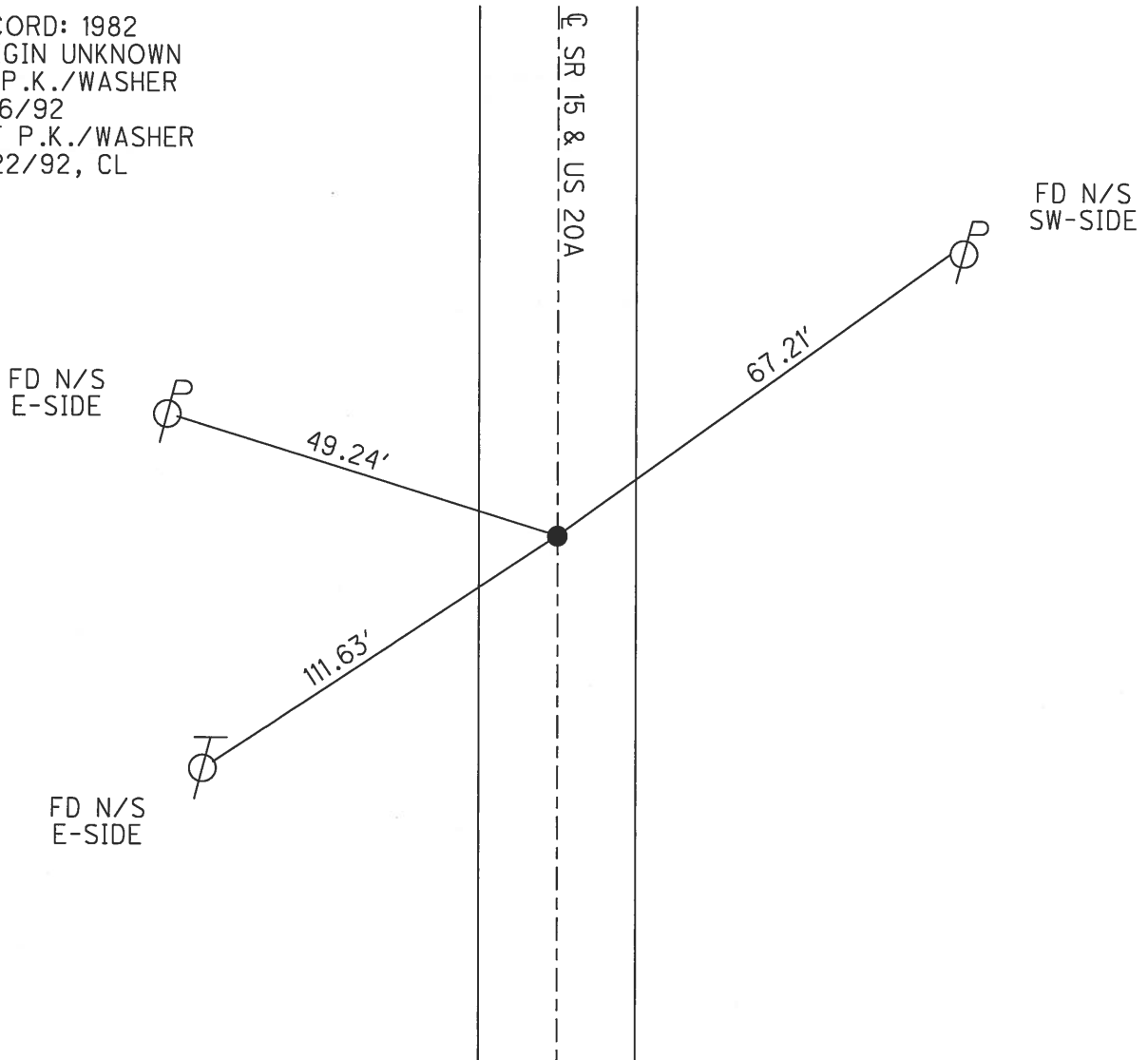
O.D.O.T. DISTRICT 2 SURVEY OFFICE (USE ONLY)

PERSONNEL \_\_\_\_\_ REFERENCE NO. 28 A SHEET 37 OF 39  
 NOTES NUHFER DATE 6/20/07 ROUTE SR 15  
 H.C. NUHFER WEATHER SUNNY COUNTY WILLIAMS  
 R.C. HUSS TEMP. 75° TOWNSHIP JEFFERSON  
 \_\_\_\_\_ SECTION 5  
 \_\_\_\_\_ T 7 N R 3 E

TYPE MONUMENT MAG/WASHER  
 ON SURFACE - ~~BELOW~~ ON  
 LEFT - ☉ PAV'T - RIGHT ON  
12.5' TO LT EDGE PAVEMENT  
 S.L.M. 359+99.14  
 GRID: NORTHING: \_\_\_\_\_ EASTING: \_\_\_\_\_



RECORD: 1982  
 ORIGIN UNKNOWN  
 FD P.K./WASHER  
 7/16/92  
 SET P.K./WASHER  
 9/22/92, CL



# O.D.O.T. DISTRICT 2 SURVEY OFFICE

PERSONNEL

REFERENCE NO. 28-A

SHEET 15 OF 16

NOTES LOENRKE

SR 15

H.C. CURTIS

DATE 7-16-92

ROUTE U.S. 20-A

R.C. ROMETO

WEATHER PT CLOUDY

COUNTY Williams

FALKOWSKI

TEMP. +75

TOWNSHIP JEFFERSON

SECTION 5

T7 NR 3 E

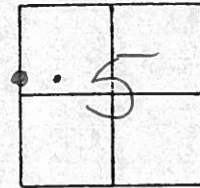
TYPE MONUMENT Reset P.K. WASHER 9-22-92

ON SURFACE - BELOW Yes

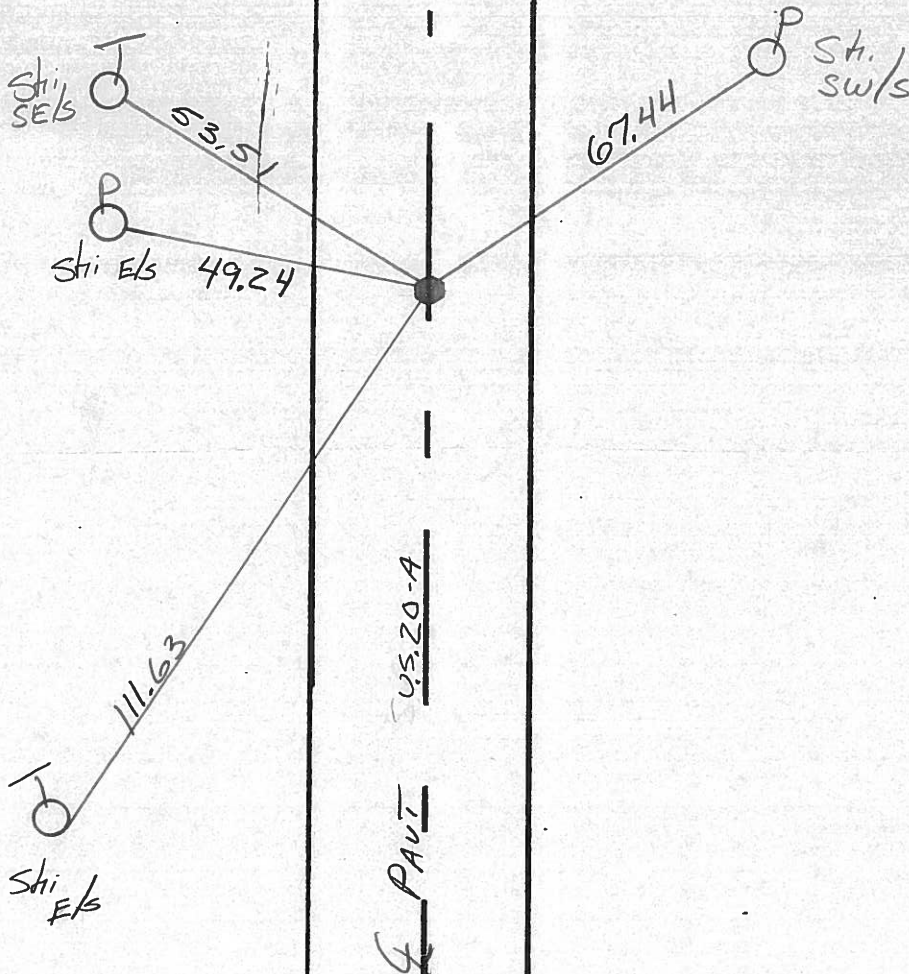
~~LEFT~~ - PAV'T. - RIGHT Yes

12.5 TO Lt EDGE PAVEMENT

S.L.M. 225+37



Record: 1982, PL P.K.,  
ORIGIN UNKNOWN



Q.D.O.T. DISTRICT 2 SURVEY OFFICE

SHEET \_\_\_\_\_ OF \_\_\_\_\_

County Williams S.R. 15 # US20-A

Date 9-7-82

Township JEFFERSON

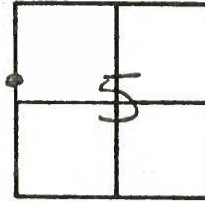
Weather OVERCAST

Section 5

Temp. +55°

T7N, R3E

Personnel HOFFMAN



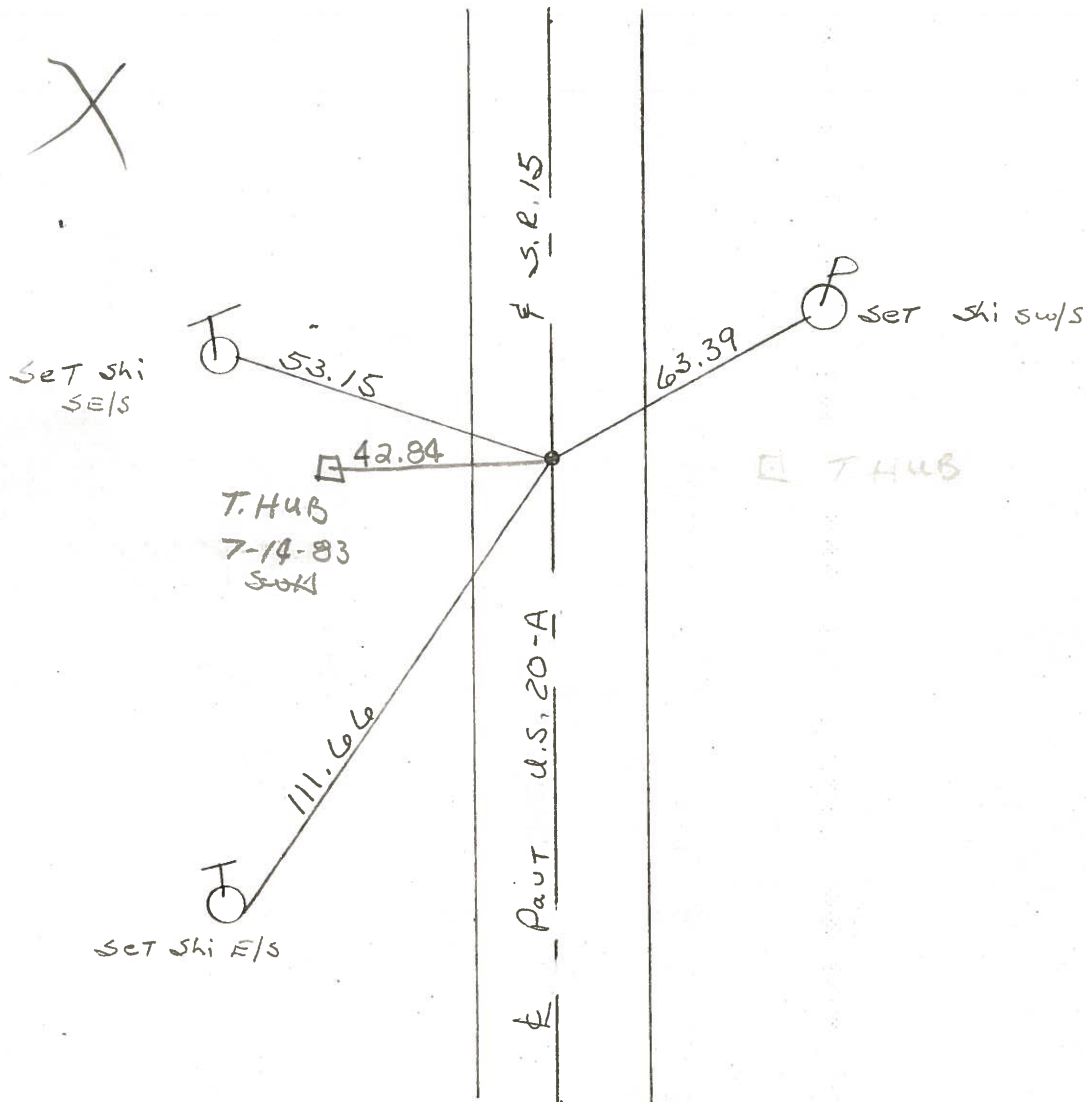
CREW

28-A

Fd P.K. @ surface original UNKNOWN  
on & part  
12.0' to E.E.P.  
12.3' to W.E.P

S.L.M. 224+85

Set P.K. Nail  
9-13-83 SWY





PERSONNEL	TITLE	PERSONNEL	TITLE	COUNTY	DATE	WEATHER	TEMP.
Beach				Wi.	2-20-58		
Pesefall				S. R. 15			
Wise				FROM RT. # 20 N. TO			
Dierks				SEC. BRYAN N. Corp. Limit			

DESCRIPTION	LEFT	CENTER LINE	RIGHT	JOB NO.
-------------	------	-------------	-------	---------

