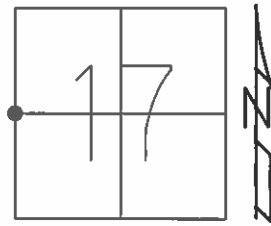


O.D.O.T. DISTRICT 2 SURVEY OFFICE (USE ONLY)

PERSONNEL _____ REFERENCE NO. 24 SHEET 25 OF 40

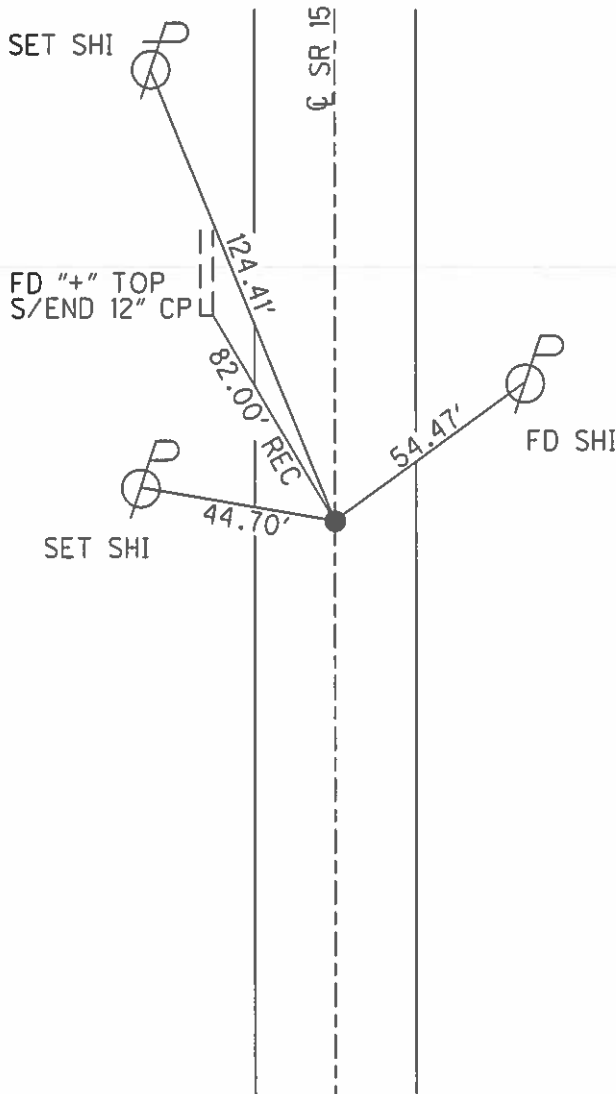
NOTES RHOADES DATE 03/29/16 ROUTE SR 15
 H.C. O'DONNELL WEATHER CLEAR COUNTY WILLIAMS
 R.C. RHOADES TEMP. 45° TOWNSHIP JEFFERSON
 _____ SECTION 17
 _____ T 7 N R 3 E

TYPE MONUMENT _____ SM RR SPK
 ON SURFACE - ~~BELOW~~ _____ ON _____
 LEFT - ~~C~~ PAV'T - ~~R~~ RIGHT _____ 1'
 _____ TO _____ EDGE PAVEMENT
 S.L.M. _____ 696+23.27



Grid: Northing: 698168.869 Easting: 1405985.043

SET SM RR SPK
 10/24/90, IRS
 FD SM RRSPK
 GPS, REF24
 09/23/13, SDC
 SET MAG/W
 NEWREF24
 08/29/16, JFO



O.D.O.T. DISTRICT 2 SURVEY OFFICE

PERSONNEL _____

REFERENCE NO. 24

SHEET 15 OF _____

NOTES 1. Stone

H.C. D. Curtis

DATE 2 July 90

ROUTE SR#15

R.C. J. Haushalter

WEATHER Warm

COUNTY Williams

TEMP. 80°

TOWNSHIP Jefferson

SECTION 17

T. _____ R. _____

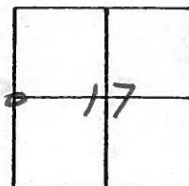
TYPE MONUMENT Sm. RR. Spk.

ON SURFACE - BELOW Surface

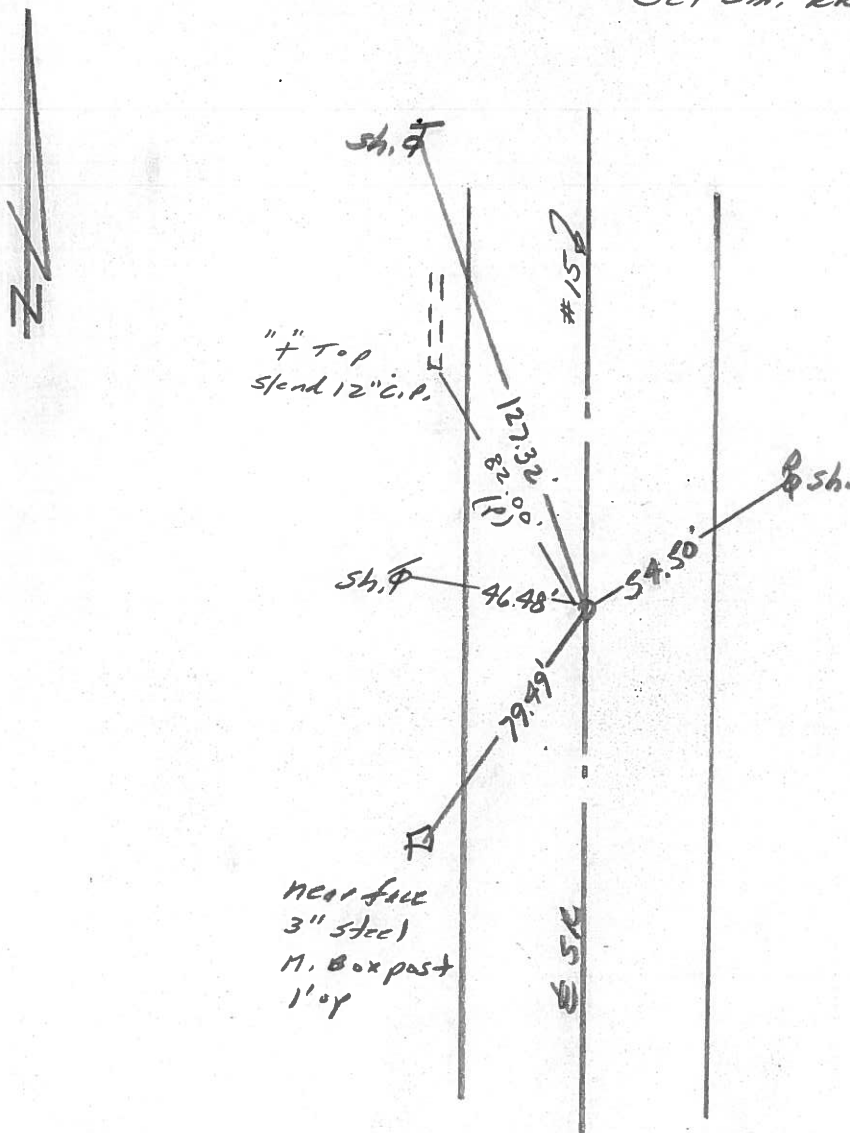
LEFT- & PAV'T. - RIGHT _____

TO _____ EDGE PAVEMENT

S.L.M. 502465



Set Sm. RR Spk. 10/24/90 185



County WILLIAMS S.R. 15

Date 9-28-79

Township JEFFERSON

Weather CLOUDY

Section 17

Temp. +69°

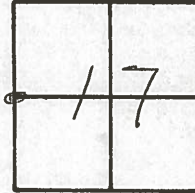
T1N, R3E

Personnel BURNSIDE

SMITH

BOWERS

MEAD



F.D. R.R. SPK.
@ SURFACE &
IN CRTZ. PAVE.

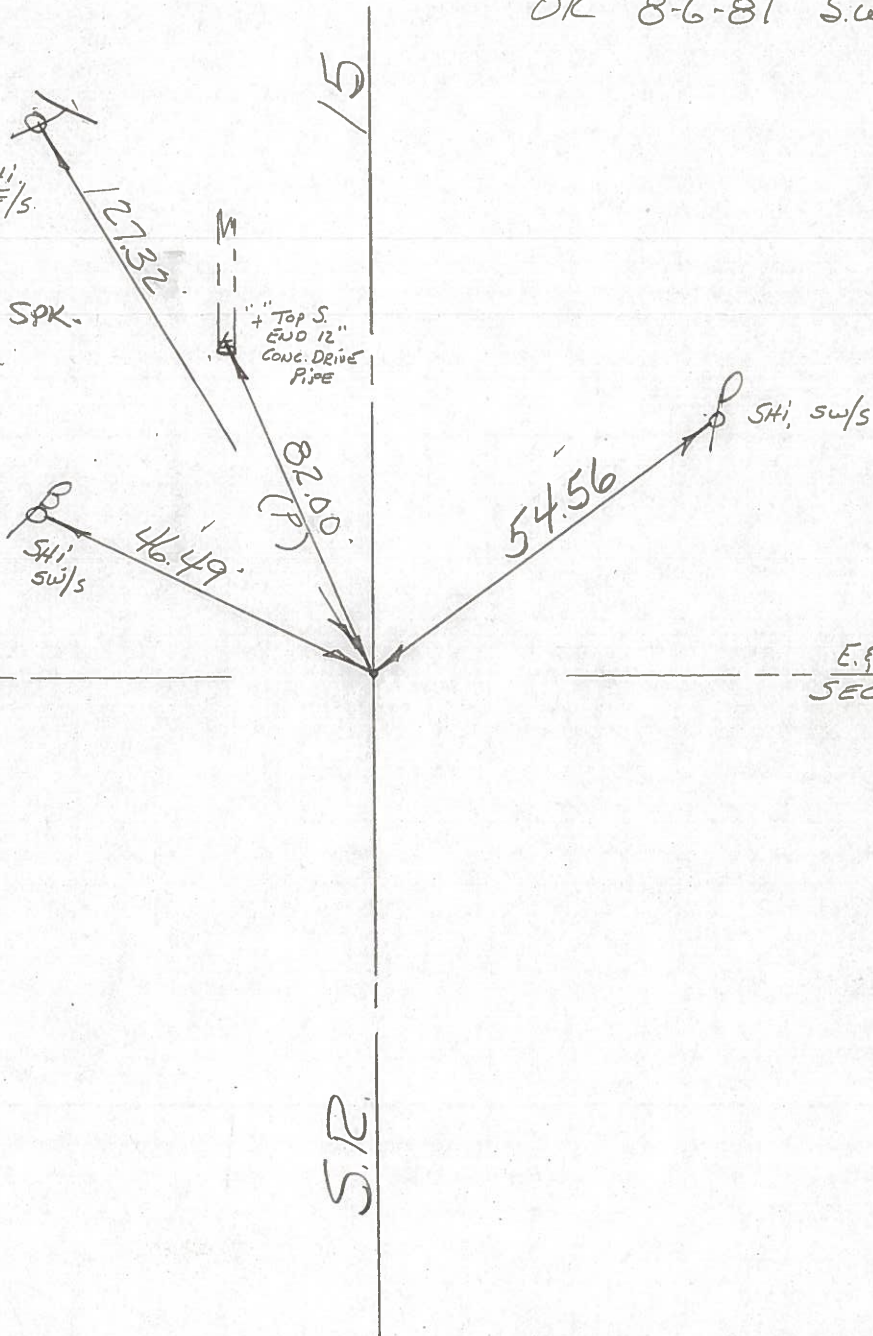
OK 8-6-81 S.W.H.

(24) STA. 502+58±

SET SMALL R.R. SPK.
11-3-81 SWH

E. & W. INTERIOR
SEC. 18

E. & W. INTERIOR
SEC. 17



PERSONNEL	TITLE	PERSONNEL	TITLE	COUNTY	DATE	WEATHER
Beach				Wi.	2-20-56	
Pesoffall				S. R. 15		
Wise				From Rt # 20 N. to		
Dierks				SEC. BRYAN N. Corp. Limit.		TEMP

DESCRIPTION	LEFT	CENTER LINE	RIGHT	JOB NO.
-------------	------	-------------	-------	---------

