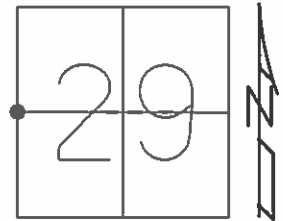


O.D.O.T. DISTRICT 2 SURVEY OFFICE (USE ONLY)

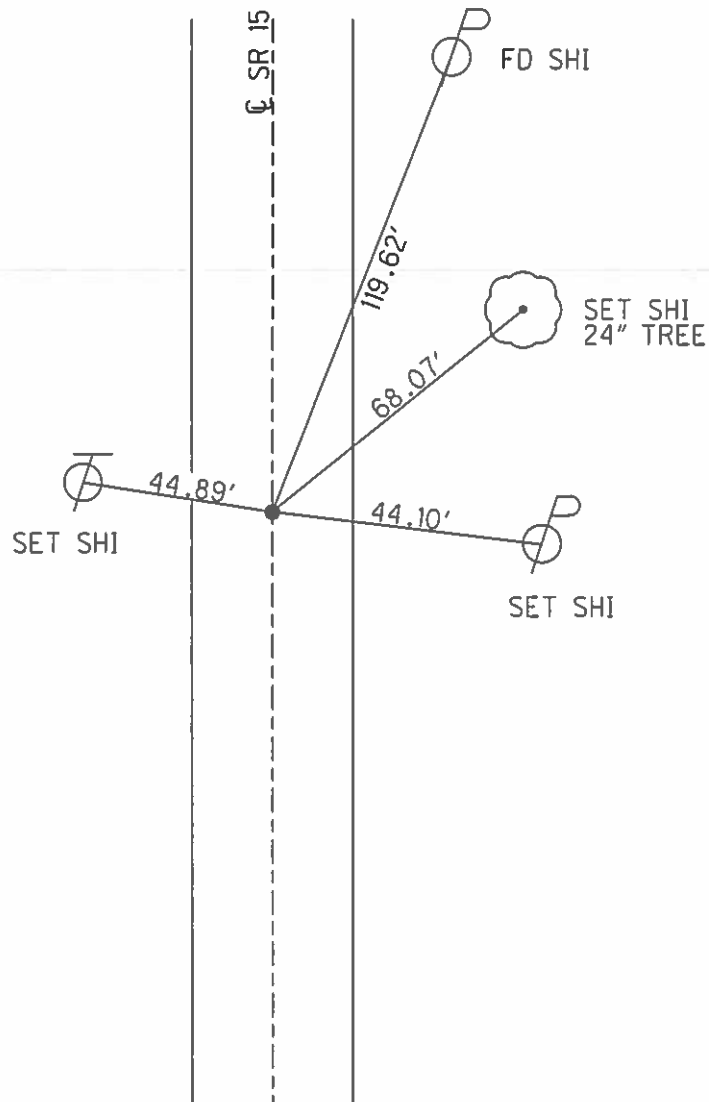
PERSONNEL _____ REFERENCE NO. 20 SHEET 29 OF 40
 NOTES RHOADES DATE 03/29/16 ROUTE SR 15
 H.C. O'DONNELL WEATHER CLEAR COUNTY WILLIAMS
 R.C. RHOADES TEMP. 35° TOWNSHIP JEFFERSON
 _____ SECTION 29
 _____ T 7 N R 3 E

TYPE MONUMENT RR SPK SHANK
~~ON SURFACE~~ - BELOW 1"
~~LEFT~~ - CL PAV'T - ~~RIGHT~~ ON
_____ TO _____ EDGE PAVEMENT
 S.L.M. 801+79.06

Grid: Northing: 687615.179 Easting: 1405776.887



SET SM RR SPK
 10/24/90, IRS
 FD SM RR SPK
 GPS, REF20
 09/24/13, SDC
 SET MAG/W
 NEWREF20
 08/30/16, JFO



O.D.O.T. DISTRICT 2 SURVEY OFFICE

PERSONNEL _____ REFERENCE NO. 20 SHEET 11 OF _____

NOTES 1. Stone

H.C. J. Curtis

R.C. J. Hausbolder

DATE 2 July 90

WEATHER Warm

TEMP. 79°

ROUTE SR #15

COUNTY Williams

TOWNSHIP Jefferson

SECTION 29

T _____ R _____

TYPE MONUMENT Sm. RR Spk.

ON SURFACE - BELOW Surface

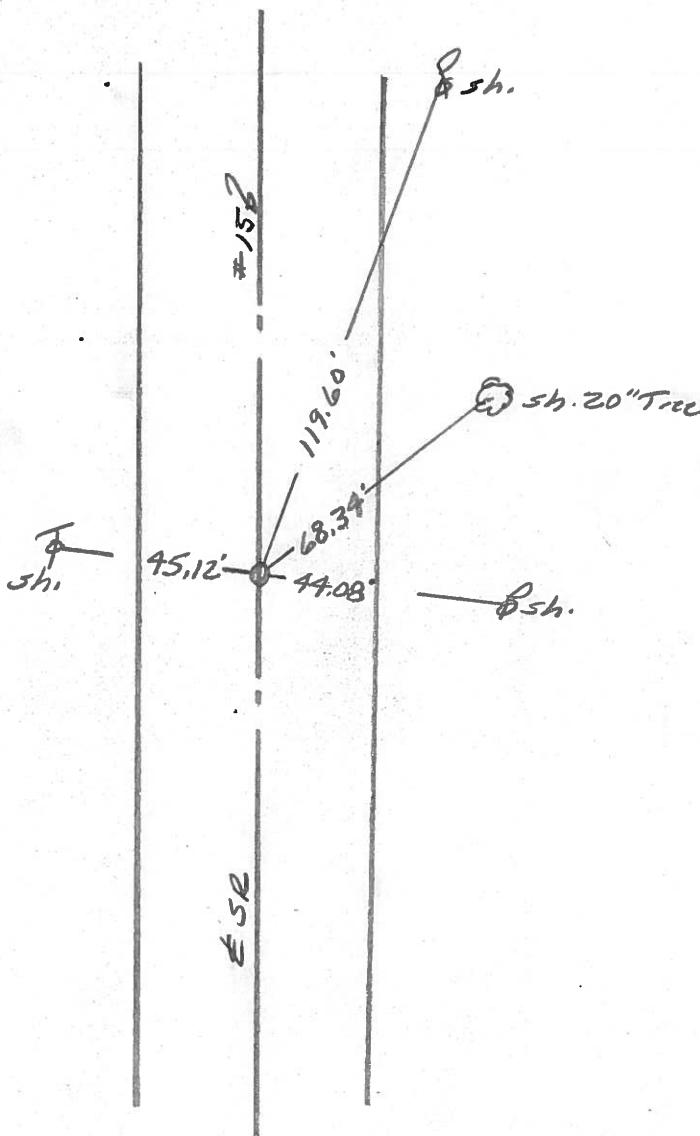
LEFT- & PAV'T. - RIGHT E

_____ TO _____ EDGE PAVEMENT

S.L.M. 608+19



Set Small RR Spk. 10/24/90 IRS



County WILLIAMS S.R. 15

Date 8-2-79

Township JEFFERSON

Weather CLOUDY

Section 29

Temp. +76°

T1N, R3E

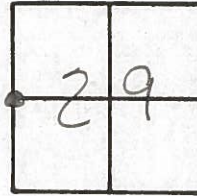
Personnel BURNSIDE

SMITH

BOWERS

KNAPE

MEAD



FOUND R.R. SPK. @ SURFACE
& IN CTR. PAVE.

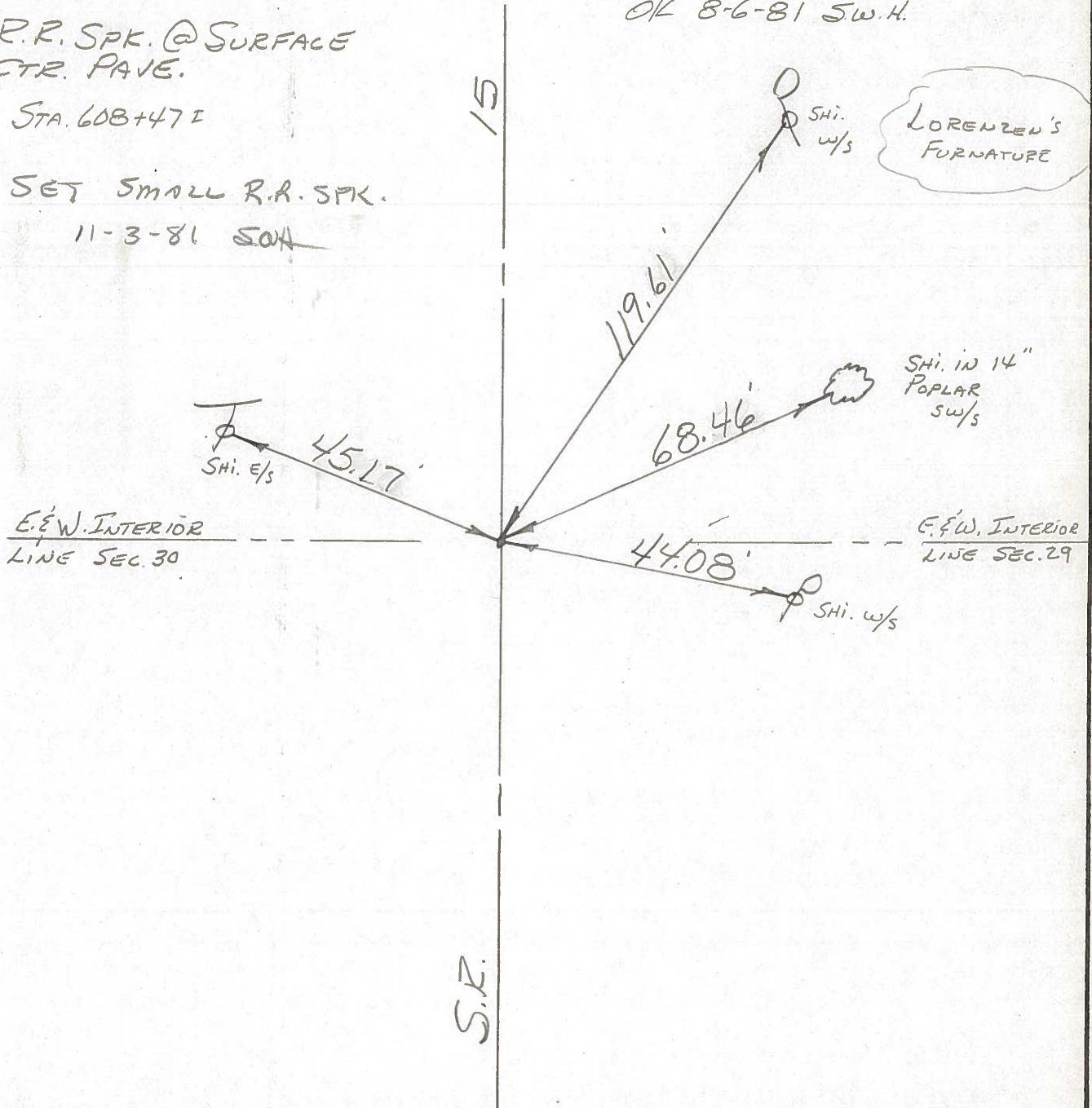
20

STA. 608+47.1

SET SMALL R.R. SPK.

11-3-81 SWH

OK 8-6-81 SW.H.



LORENZEN'S FURNATURE

PERSONNEL	TITLE	PERSONNEL	TITLE
Beach			
Pesse fall			
Wise			
Dierks			

COUNTY Wi. DATE 2-20-56
 S. R. 15 WEATHER _____
 FROM RT. #20H. to
 SEC. Bryan N. Corp Limit. TEMP. _____

