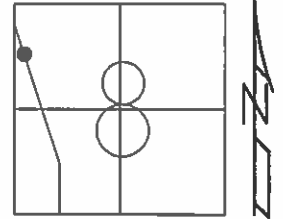


O.D.O.T. DISTRICT 2 SURVEY OFFICE (USE ONLY)

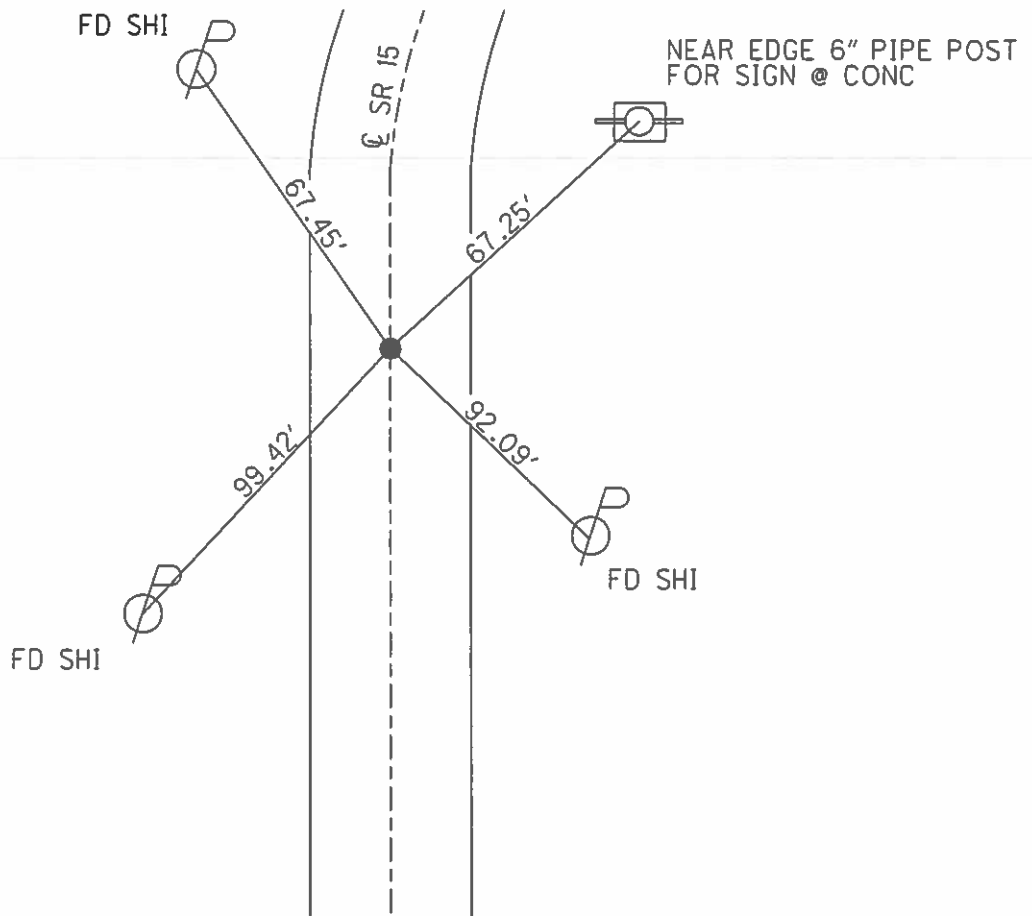
PERSONNEL _____ REFERENCE NO. 13 SHEET 36 OF 40

NOTES RHOADES DATE 03/25/16 ROUTE SR 15
 H.C. O'DONNELL WEATHER CLOUDY COUNTY WILLIAMS
 R.C. RHOADES TEMP. 35° TOWNSHIP PULASKI
 _____ SECTION 8
 _____ T 6 N R 3 E

TYPE MONUMENT _____ PK NAIL _____
 ON SURFACE - ~~BELOW~~ _____ ON _____
~~LEFT~~ - Q PAV'T - ~~RIGHT~~ _____ ON _____
 _____ TO _____ EDGE PAVEMENT _____
 S.L.M. 947+04.67
 Grid: Northing: 673127.976 Easting: 1405603.699



SET PK NAIL
 10/24/90, IRS
 FD PK NAIL
 GPS, REF13
 09/24/13, SDC
 SET MAG/W
 NEWREF14
 09/01/16, JFO



O.D.O.T. DISTRICT 2 SURVEY OFFICE

PERSONNEL _____

REFERENCE NO. 13

SHEET 4 OF _____

NOTES D. CURTIS

H.C. J. HOUSEHOLDER

DATE 6-29-90

ROUTE S.E. #15

R.C. _____

WEATHER WARM

COUNTY WILLIAMS

TEMP. 85°

TOWNSHIP PULASKI

SECTION 8

T 6 N R 3 E

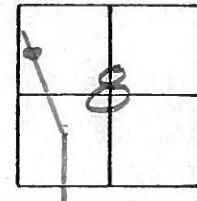
TYPE MONUMENT P.K. NAIL / WASHER

ON SURFACE - ~~BELOW~~ ON SURFACE

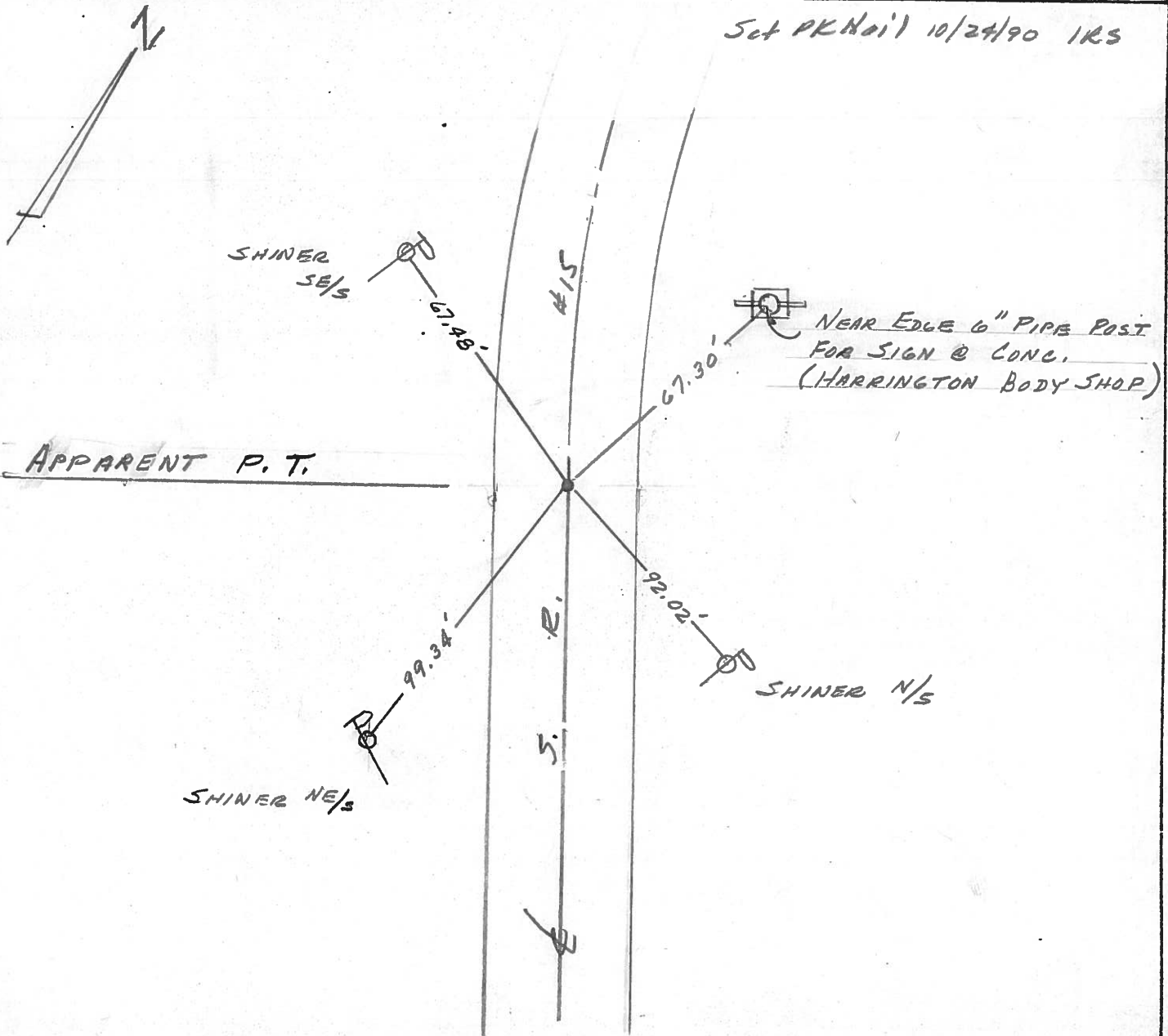
LEFT- ~~☉~~ PAV'T. - RIGHT ☉ PAV'T.

TO EDGE PAVEMENT

S.L.M. 75.3 + 43



Set PK Nail 10/24/90 IRS



County WILLIAMS S.R. 15

Date 7-31-79

Township PULASKI

Weather CLOUDY

Section 8

Temp. +80°

T6N, R3E

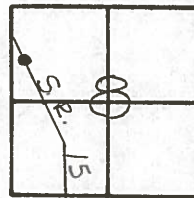
Personnel BURNSIDE

SMITH

BOWERS

KNAPE

MEAD



(13)

APPARENT P.C.

FOUND P.K. NAIL @
SURFACE & IN
CTR. PAVE.

STA. 754+26±

SET P.K./WASHER
11-2-81 SWH

ALSO A GOOD READING
BY (SCHONSTEDT) 0.20 E. OFFSET P.K.

OK -8-5-81 SWH.

