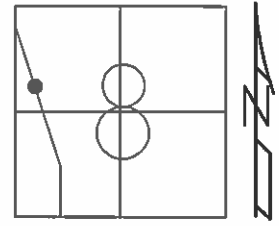


O.D.O.T. DISTRICT 2 SURVEY OFFICE (USE ONLY)

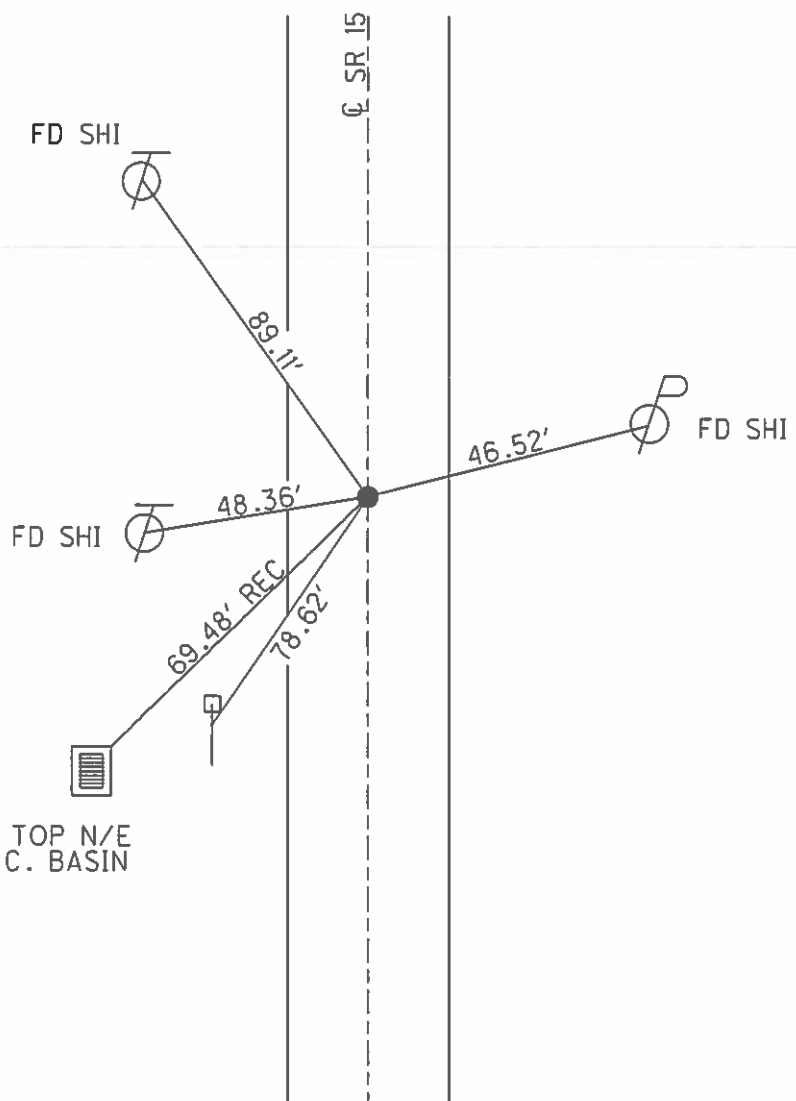
PERSONNEL \_\_\_\_\_ REFERENCE NO. 12 SHEET 37 OF 40  
 NOTES RHOADES DATE 03/25/16 ROUTE SR 15  
 H.C. O'DONNELL WEATHER CLOUDY COUNTY WILLIAMS  
 R.C. RHOADES TEMP. 35° TOWNSHIP PULASKI  
 \_\_\_\_\_ SECTION 8  
 \_\_\_\_\_ T 6 N R 3 E

TYPE MONUMENT PK NAIL/WASHER  
 ON SURFACE - ~~BELOW~~ ON  
~~LEFT - C~~ PAV'T - ~~RIGHT~~ ON  
 \_\_\_\_\_ TO \_\_\_\_\_ EDGE PAVEMENT  
 S.L.M. 955+48.84



Grid: Northing: 672354.420 Easting: 1405941.878

SET PK NAIL  
 10/24/90, IRS  
 FD PK/W  
 GPS, REF12  
 09/24/13, SDC  
 SET MAG/W  
 NEWREF12  
 09/01/16, JFO



"+" CUT IN TOP N/E  
 COR CONC C. BASIN

# O.D.O.T. DISTRICT 2 SURVEY OFFICE

PERSONNEL \_\_\_\_\_

REFERENCE NO. 12

SHEET 3 OF \_\_\_\_\_

NOTES D. CURTIS

H.C. J. HOUSEHOLDER

DATE 6-29-90

ROUTE S.R. #15

R.C. \_\_\_\_\_

WEATHER WARM

COUNTY WILLIAMS

TEMP. 85°

TOWNSHIP PULASKI

SECTION 8

T 6 N R 3 E

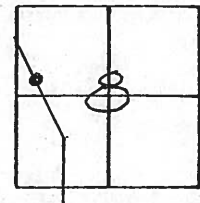
TYPE MONUMENT P.K. NAIL / WASHER

ON SURFACE - BELOW ON SURFACE

LEFT- & PAV'T. - RIGHT E PAV'T

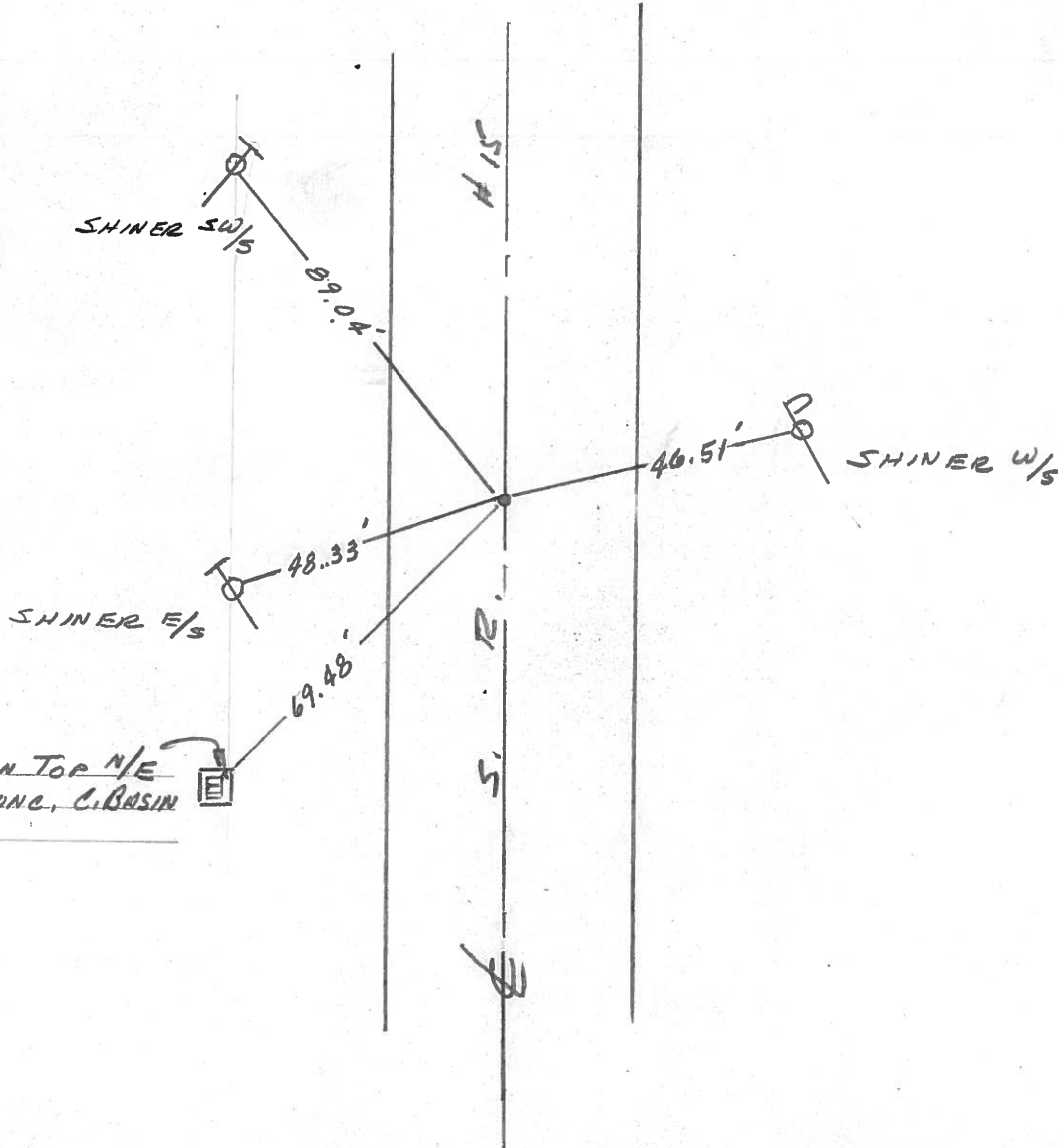
TO \_\_\_\_\_ EDGE PAVEMENT

S.L.M. 761 + 87



Set PK Nail 10/24/90 IRS

N



4\"/>

County WILLIAMS S.R. 15

Date 7-31-79

Township PULASKI

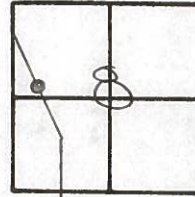
Weather CLEARING

Section 8

Temp. +80°

T6N, R3E

Personnel BURNSIDE  
SMITH  
BOWERS  
KNAPE  
MEAD

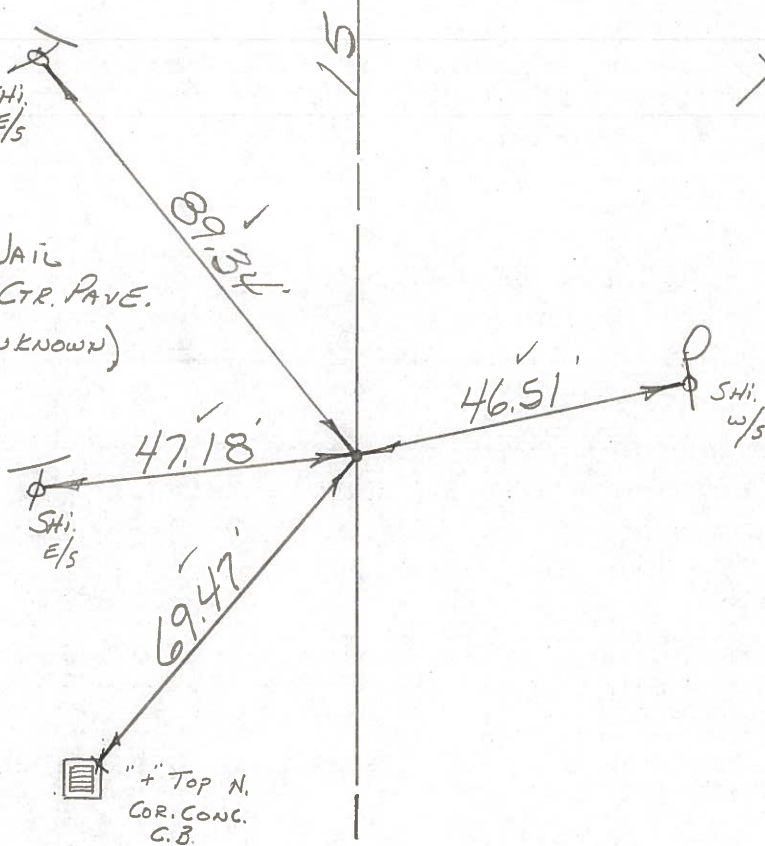


OK-B-S-81 S.W.H.

(12) SET P.K. NAIL/WASHER  
11-2-81 SWH

FD. SMALL P.K. NAIL  
@ SURFACE & IN CTR. PAVE.  
(ORIGIN & USE UNKNOWN)

STA. 762+72



"+" Top N.  
COR. CONC.  
C.B.

N.A.P.A.  
AUTO PARTS STORE

S.R.