

O.D.O.T. DISTRICT 2 SURVEY OFFICE (USE ONLY)

PERSONNEL

REFERENCE NO. 6

SHEET 12 OF 38

NOTES RHOADES

DATE 5/1/13

ROUTE US 20

H.C. CODER

WEATHER CLEAR

COUNTY WILLIAMS

R.C. LAU

TEMP. 74°

TOWNSHIP NORTHWEST

DWG BY WHITAKER PID 98653

SECTION 33

T 10 S R 4 W

TYPE MONUMENT P.K. NAIL

ON SURFACE - ~~BELOW~~ ON

OFFSET C PAVEMENT ON LT : RT

- TO - EDGE PAVEMENT

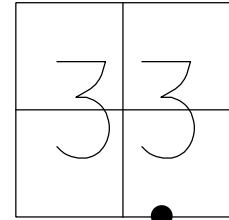
STATION: 86+89.42

HORZ. DATUM: NAD83 2011

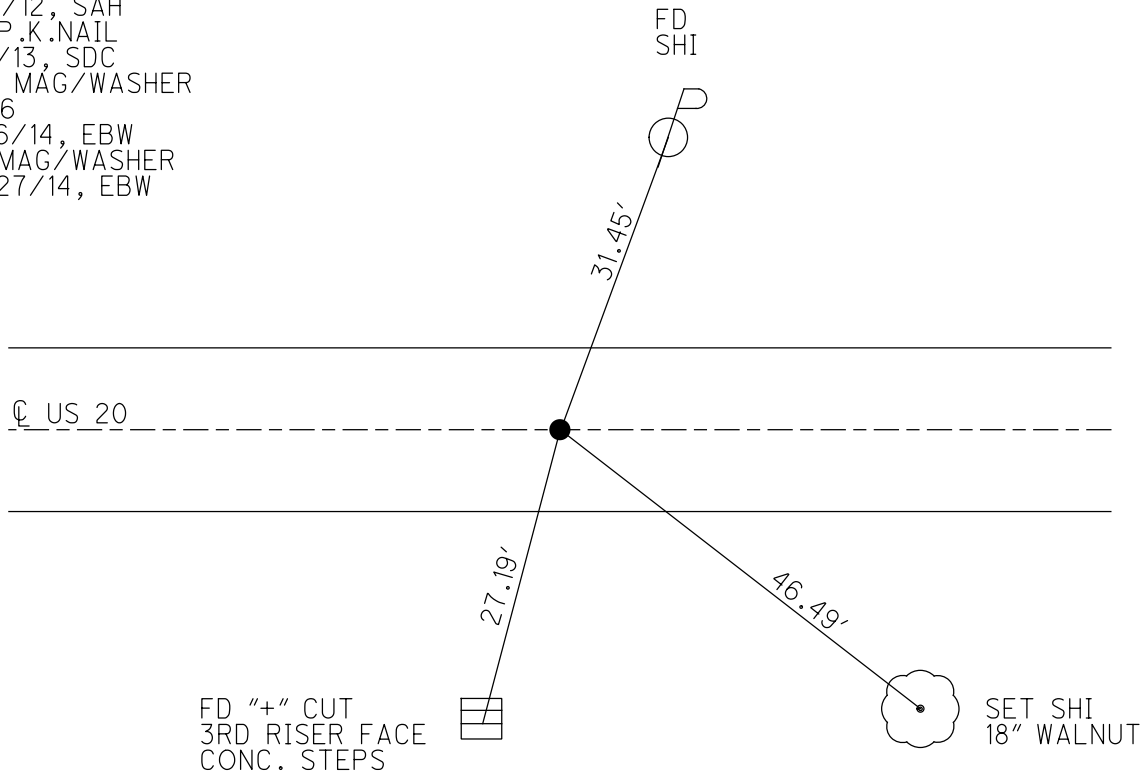
GEOID: NAVD88 2012A

GRID: NORTHING: 725248.939

EASTING: 1346922.780



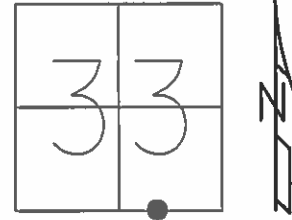
RECORD:
 FD P.K.NAIL
 7/10/90, I.S.
 SET P.K.NAIL
 8/24/90, DJC
 FD P.K.NAIL
 4/5/12, SAH
 FD P.K.NAIL
 5/1/13, SDC
 SET MAG/WASHER
 REF6
 7/16/14, EBW
 FD MAG/WASHER
 10/27/14, EBW



O.D.O.T. DISTRICT 2 SURVEY OFFICE (USE ONLY)

PERSONNEL _____ REFERENCE NO. 6 SHEET 12 OF 38
 NOTES RHOADES DATE 5/1/13 ROUTE US 20
 H.C. CODER WEATHER CLEAR COUNTY WILLIAMS
 R.C. LAU TEMP. 74° TOWNSHIP NORTHWEST
 SECTION 33
 T 9 S R 4 W

TYPE MONUMENT P.K.NAIL
 ON SURFACE - ~~BELOW~~ ON
 LEFT - C PAV'T - RIGHT ON
- TO - EDGE PAVEMENT
 S.L.M. 87+76.46
 GRID: NORTHING: 725248.992 EASTING: 1346922.801



RECORD:
 FD P.K.NAIL
 7/10/90, I.S.

SET P.K.NAIL
 8/24/90, DJC

FD P.K.NAIL
 4/5/12, SAH

SET MAG/WASHER
 GPS, REF6
 7/16/14, EBW

