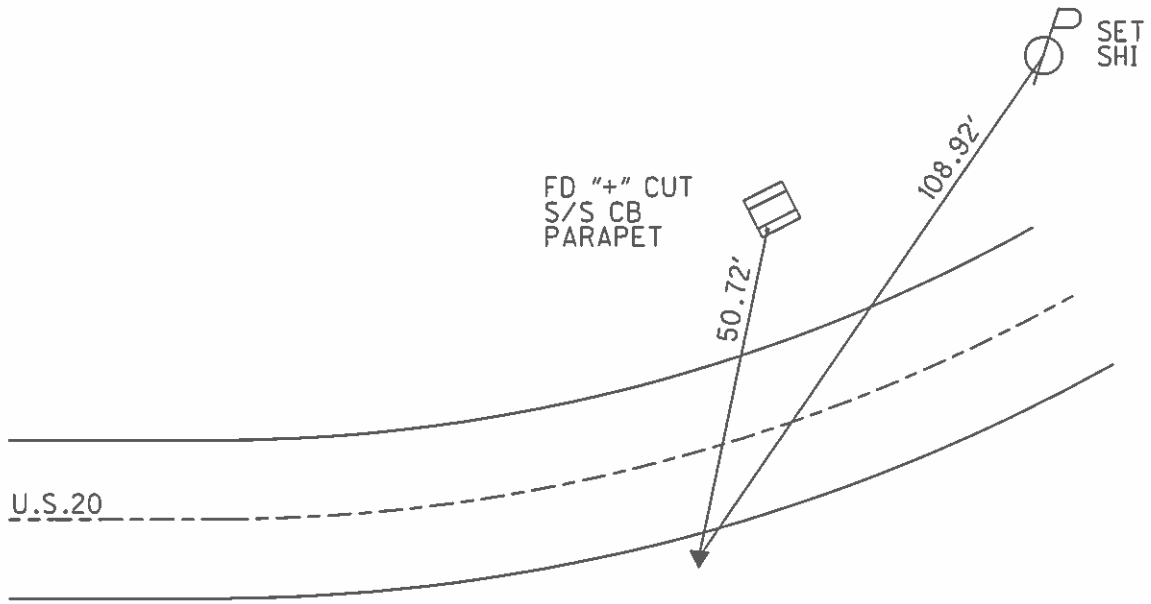
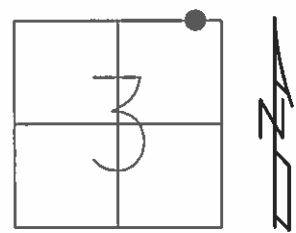


O.D.O.T. DISTRICT 2 SURVEY OFFICE (USE ONLY)

PERSONNEL _____ REFERENCE NO. 15 SHEET 15 OF 38
 NOTES HUSS DATE 4/16/12 ROUTE US 20
 H.C. CANTERBURY WEATHER FAIR COUNTY WILLIAMS
 R.C. HARBAUGH TEMP. 48° TOWNSHIP NORTHWEST
 SECTION 3
 T 9 S R 4 W

TYPE MONUMENT 3/4" IPIPE
~~ON SURFACE~~ - BELOW 10"
~~LEFT~~ - Q PAV'T - RIGHT 1' RT.RT.EB
3.6' RT TO RT EDGE PAVEMENT
 S.L.M. 150+14.16
 GRID: NORTHING: 725460.532 EASTING: 1354333.282



RECORD:
 3/4" IPIPE
 6" DEEP
 7/10/90, I.S.
 8/24/90, DJC
 10" DEEP
 4/6/12, SAH
 10" DEEP
 GPS, REF15