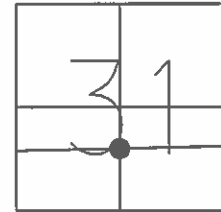


O.D.O.T. DISTRICT 2 SURVEY OFFICE (USE ONLY)

PERSONNEL \_\_\_\_\_ REFERENCE NO. 19 SHEET 23 OF 38  
 NOTES RHOADES DATE 5/1/13 ROUTE US 20  
 H.C. CODER WEATHER CLEAR COUNTY WILLIAMS  
 R.C. LAU TEMP. 74° TOWNSHIP NORTHWEST  
 SECTION 31  
 T 9 S R 4 W

TYPE MONUMENT P.K.SHANK  
 ON SURFACE - ~~BELOW~~ ON  
 LEFT - Q PAV'T - ~~RIGHT~~ 0.5'  
 - TO - EDGE PAVEMENT  
 S.L.M. 295+60.31  
 GRID: NORTHING: 726409.671 EASTING: 1367554.390

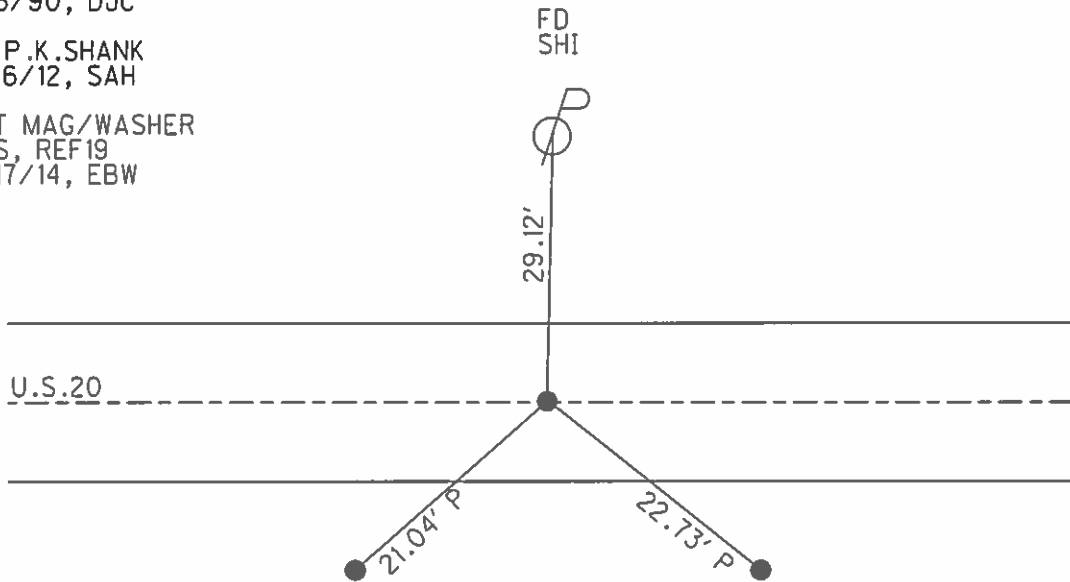


RECORD:  
 FD NAIL  
 7/25/90, I.S.

SET P.K.NAIL  
 9/6/90, DJC

FD P.K.SHANK  
 4/16/12, SAH

SET MAG/WASHER  
 GPS, REF19  
 7/17/14, EBW



SET BARN SPIKES  
 4' S./EP